

CARE AND MAINTENANCE

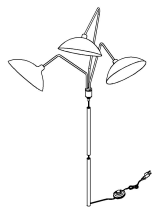

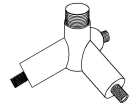
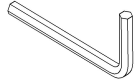
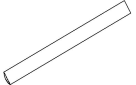
Unplug lamps before using any cleaning solutions. Dust shades with a feather duster or with an appropriate vacuum-brush attachment. Wipe with a soft, dry cloth and clean lamp bases with the methods appropriate to the material. Avoid the use of chemicals and household cleaners as they may damage the finish.

NOTICE& IMPORTANT SAFETY INSTRUCTIONS

- * Please make sure that you have all parts indicated before you begin assembly of this item
- * This item should be assembled on a soft surface to prevent scratching the finish during assembly
- * To reduce the risk of fire, electrical shock or injury to persons or property, please follow the guideline below for safe use and installation
- *The external flexible cable or cord of this luminaire cannot be replaced;
If the cord is damaged, the luminaire shall be destroyed

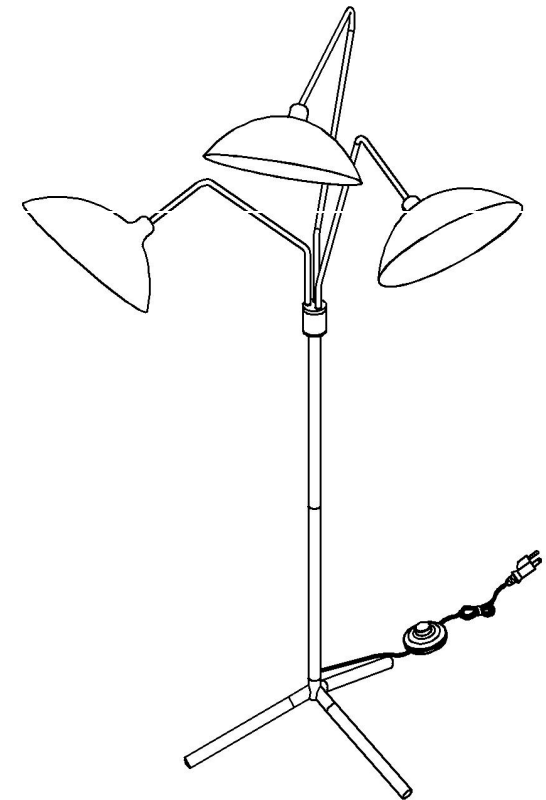
**This portable lamp has a polarized plug (one blade is wider than the other) as a safety feature to reduce the risk of electric shock. this plug will fit in a polarized outlet only one way. if the plug does not fit fully in the outlet, reverse the plug, if it still does not fit, contact a qualified electrician. Never use with an extension cord unless the plug can be fully inserted. do not attempt to defeat this safety feature.

Part List and Hardware List

PIECE	DESCRIPTION	PICTURE	QUANTITY	PIECE	DESCRIPTION	PICTURE	QUANTITY
A	Lamp body		1X	D	Bulb		3X
B	Lamp base		1X	E	Allen key		1X
C	Tube		3X				

SAFAVIEH
LIGHTING

Model# LIT4361A/B
Product Dimensions: 45"L X 26.5"W X 67.5"H



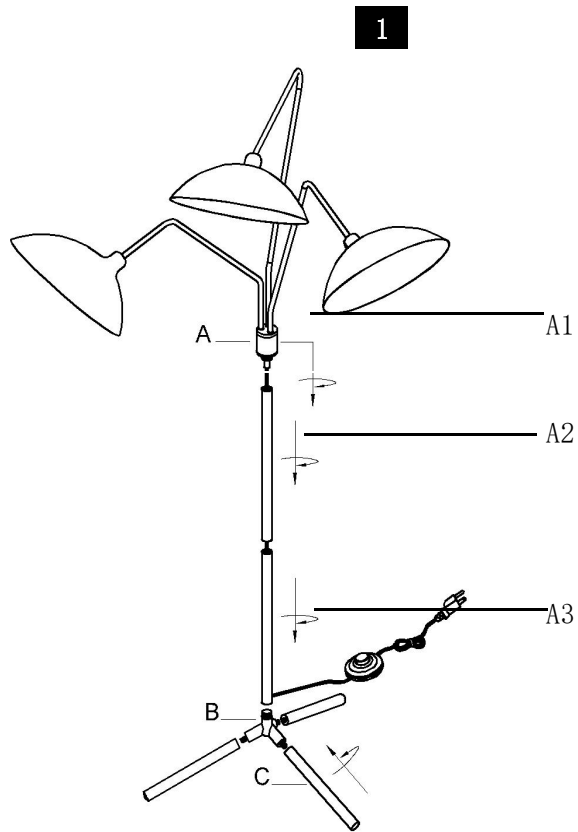
PREPARATION

Before beginning assembly of product, make sure all parts are present. Compare parts with package contents list and hardware contents list. If any part is missing or damaged, do not attempt to assemble the product.

Estimated Assembly Time: 6 minutes.

PLEASE USE TYPE"A" BULB MAX 60-WATT OR CFL BULB MAX 13-WATT OR LED BULB MAX 9-WATT

THERE ARE 3*LED 9-WATT BULBS IN THE BOX



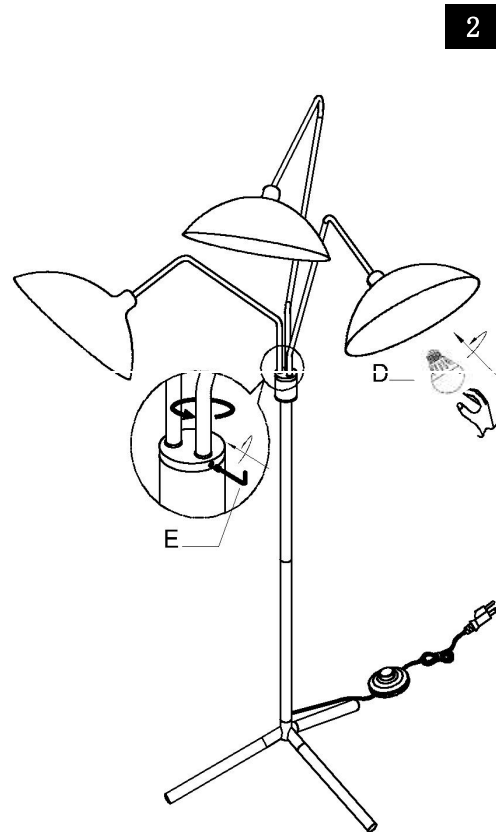
Step 1

Insert the Lamp tube(A2) into the nipple of the top body(A1)
Insert the bottom Lamp tube(A3) into the assembled body(A2)
and pull the wire cable.

Fasten the tube(C) into the Lamp base(B).

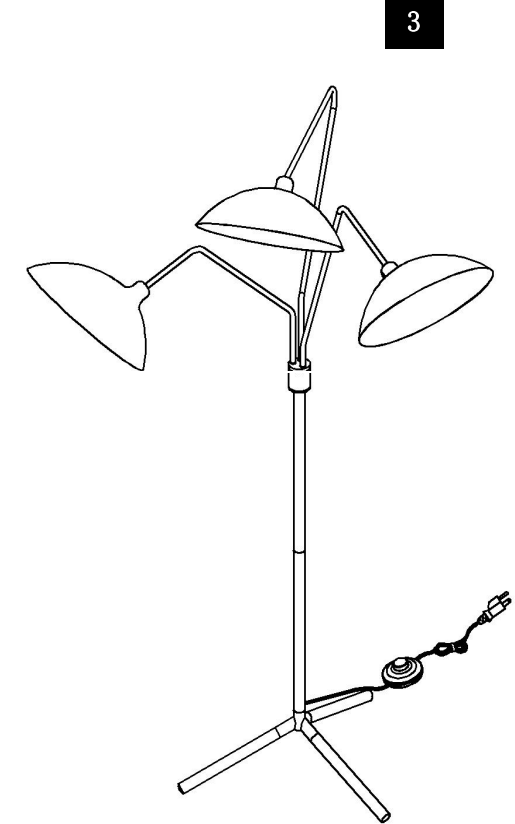
Screw the assembled Lamp body(A) into the Lamp
base(B)

ENJOY YOUR LAMP



Step2

Fasten the metal pole in place by turning the
screws with Allen Key(E) as diagram.
Insert the bulbs(D) into the sockets.



Step3

Put the light on a level surface to check
if everything is stable