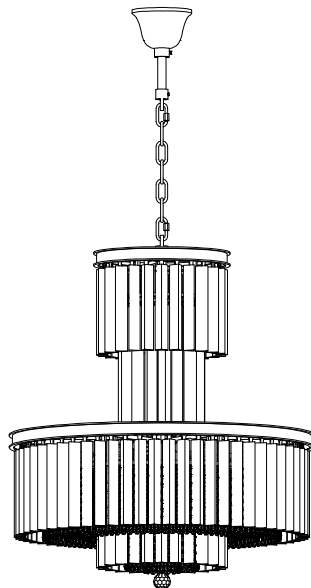


# SAFAVIEH C O U T U R E

## Assembly Instruction

**CAUTION:** Read instruction carefully and turn electricity off at main circuit breaker panel before beginning installation.

ITEM #:LIT1074A



### Care and Cleaning

To clean the outside of the fixture, use a dry or slightly dampened clean cloth (use clean water, never a solvent) to wipe the surface of the fixture.

To clear the inside of the fixture, first disconnect power to the fixture by turning off the circuit breaker or by removing the fuse at the fuse box. Next, use a dry or slightly dampened clean cloth (use clean water, never a solvent) to wipe the interior surface of the fixture.

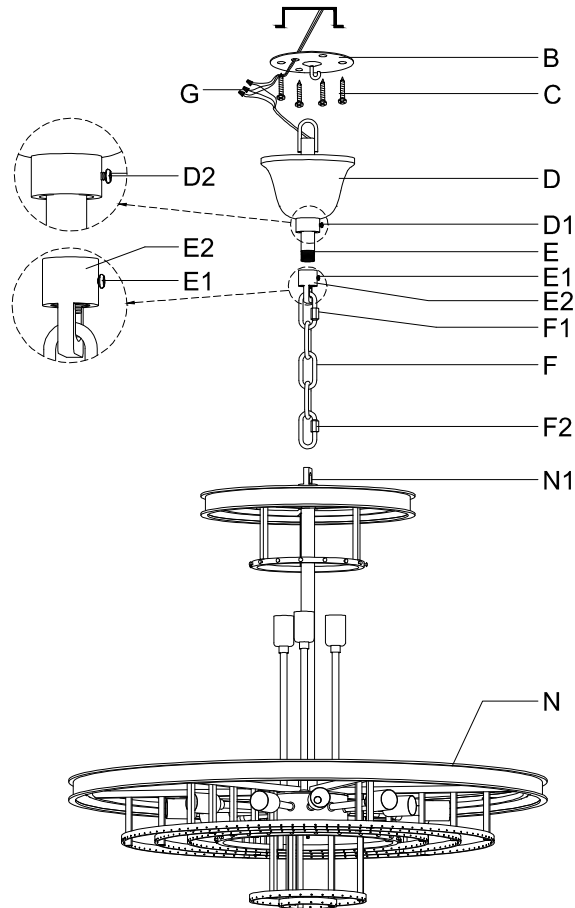
Do not use any cleaners with chemical, solvents or harsh abrasives. Use Only a dry soft cloth to dust or wipe carefully.

Estimated Assembly Time: 30 minutes

### Part List and Hardware List

PIECE	DESCRIPTION	PICTURE	QUANTITY	PIECE	DESCRIPTION	PICTURE	QUANTITY
A	Screws		4PCS	I	Crystal Paradise +Spare (200mm)		108+4PCS
B	Ceiling HOOK		1PCS	J	Crystal Paradise (295mm)		15PCS
C	Mounting Screws		8PCS	k	Crystal string +Spare		300+10PCS
D	Canopy		1PCS	L	Dropper		1pcs
E	Collar		1PCS				
F	Chain		1PCS	N	Body		1pcs
G	Wire nut		3pcs				
H	Bulb		15PCS				

# Installation



## Step 1

Unpack all parts from cartons carefully

Turn OFF power to the junction box where the ceiling light will be installed.

Loosen the bolt (E1) of hang straight (E2) and remove the collar (E) from the hang straight (E2) by unscrewing it. Then insert collar (E) into canopy (D) and re-attach collar (E) to hang straight (E2). **Tighten the bolt (E1) of the hang straight (E2).**

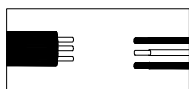
Unlock the quick link (F2) at the opposite end of the chain (F) and attach to the hang straight (N1) on body (N).

Attach the ceiling hook (B) to the ceiling with mounting screws (C).

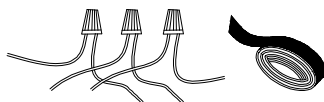
Attach end of the collar (E) to the ceiling hook (B).

## Step 2 wire connection

Connect, Hot, Black or Red outlet supply Wire to:	Connect, Neutra, White outlet supply Wire to:
Black	White
*3 Core Cord (round & smooth)	*3 Core Cord (round & smooth)
Clear, Brown, Gold or black without Tracer (colored stripes)	Clear, Brown, Gold or black without Tracer (colored stripes)
Insulated wire green with copper metal conductor	Insulated wire green with silver metal conductor



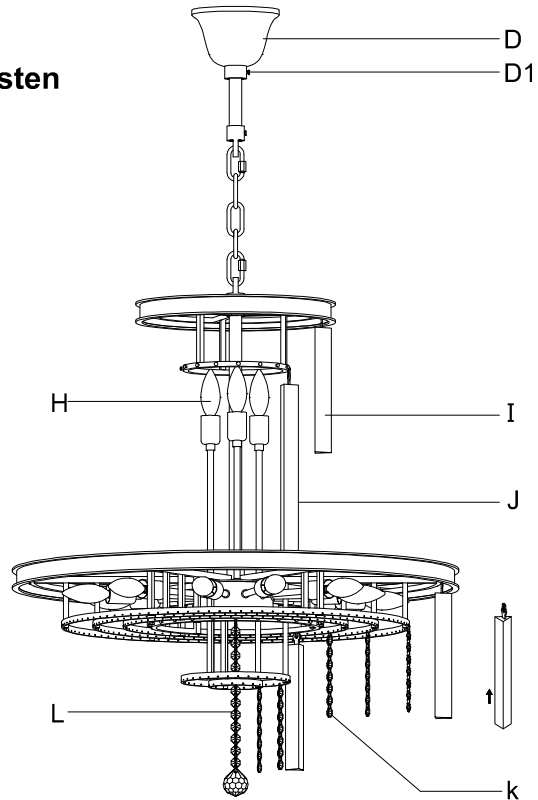
\*Note: When 3 core cord (SVT) is used. The neutral wire is square shaped and ridged and the hot wire will be round in shape and smooth (See illustration on left.)



## Step 3

Move the canopy (D) up to the ceiling, **then fasten the bolt (D1).**

Fasten lightbulbs (H) to the lampholders.



## Step 4

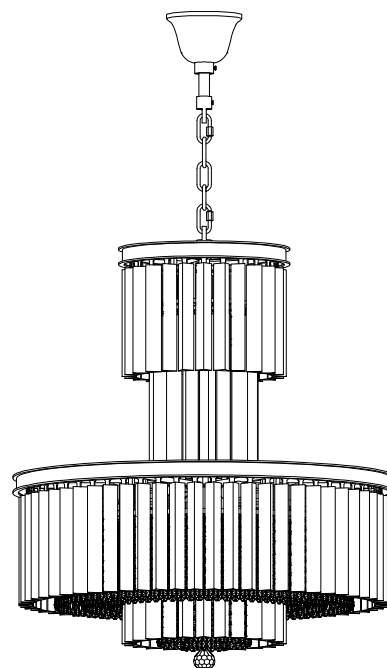
Hang crystal paradise:

Hang the dropper (L) and crystal string (K) from bottom layer to top layer and keep flat surface of crystal string inside. To ensure safety of chandelier during crystal string installation, please maintain level of chandelier by ensuring you install crystal string in balanced way on opposite ends of light.

Hang the crystal paradise (I) and crystal paradise (J) from bottom layer to top layer and keep flat surface of crystal paradise inside. To ensure safety of chandelier during crystal paradise installation, please maintain level of chandelier by ensuring you install crystal paradise in balanced way on opposite ends of light.

## Step 5

Consult a qualified electrician to ensure correct branch circuit conductor.



ENJO YOUR LAMP