

NOTICE

- * Please make sure that you have all parts indicated and they are in good condition before you begin assembly of this item. Refer to part list and hardware list below for guidance.
- * This item should be assembled on a soft surface to prevent scratching the finish during assembly.
- * This item may require periodic tightening.
- * If you are having difficulty, our friendly Customer Care team is always here to help. Please email customersupport@safavieh.com




PREPARATION

- * Before beginning assembly of product, make sure all parts are present. Compare parts with part contents list and hardware contents list.
- * If any part is missing or damaged, do not attempt to assemble the product.
- * Estimated Assembly Time: 10 minutes.
- * Tools Required for Assembly (included): Allen Key

CARE AND MAINTENANCE

- * Spot clean using a mild water-free solvent. Only a professional cleaner should undertake a complete overall cleaning.
- * The use of steam or water-based cleaners may cause excessive shrinking or staining.

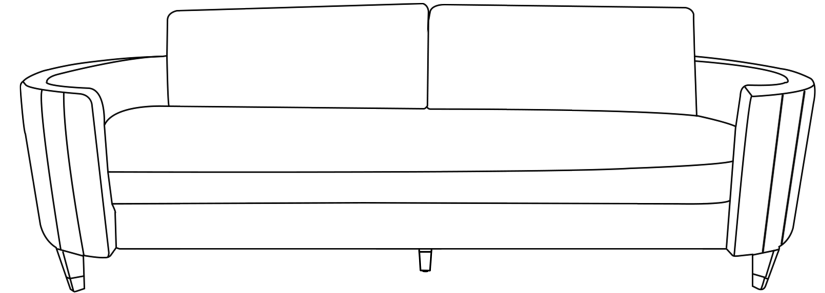
Part List and Hardware List

PIECE	DESCRIPTION	PICTURE	QUANTITY
A	Seat		1X
B	Legs		5X
HW1	Plastic Washer		5X

SAFAVIEH COUTURE

Model#: KNT7045

Dimensions: 90.0"W X 32.1"D X 30.7"H



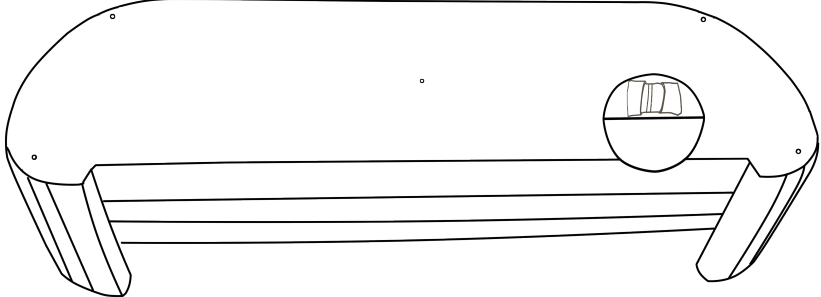
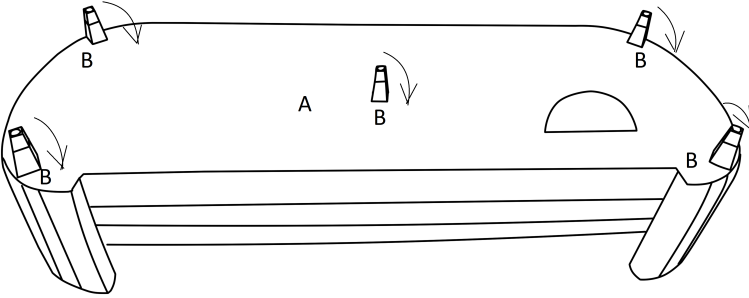
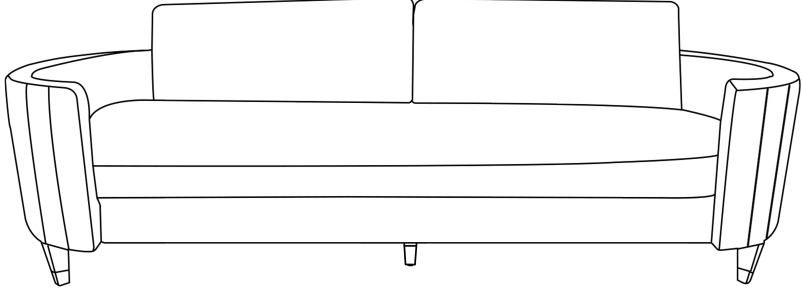
Weight Capacity: 825 lbs

Warning: Do not stand on Sofa

Warning: Do not over torque bolts

PREPARATION

- * Before beginning assembly of product, make sure all parts are present. Compare parts with part contents list and hardware contents list.
- * If any part is missing or damaged, do not attempt to assemble the product.
- * Estimated Assembly Time: 10 minutes.
- * Tools Required for Assembly (included): Allen Key
- * If you are having difficulty, our friendly Customer Care team is always here to help. Please email customersupport@safavieh.com

	
<p>STEP1 OPEN THE ZIPPER ON THE UNDERSIDE OF THE SEAT AND TAKE OUT LEGS AND HARDWARE</p>	<p>STEP2 ROTATE THE LEGS UNTIL TIGHTEN AS SHOWN IN THE PICTURE. CLOSE THE ZIPPER ON THE UNDERSIDE OF THE SEAT.</p>
	
<p>STEP3 PUT THE CHAIR UPRIGHT AND MAKE SURE ALL LEGS ARE LEVEN. IF THE CHAIR WOBBLY, YOU CAN ADJUST LEGS BY ADDING PLASTIC WASHER(HW1)BEFORE ROTATING.</p>	