





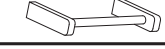



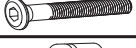



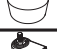




CARE AND MAINTENANCE

Always use felt pads under all articles to prevent discoloration or softening of the lacquer. Plastic and rubber bases on items can discolor wood. Wipe up spill immediately and avoid common hazards such as hot dishes, harsh solvents and abrasives. Cleaning should be done with a soft lint free cotton cloth dampened with water or furniture polish. On highly used surfaces we recommend applying a quality paste wax which should be used on a regular basis to provide additional protection from scratches and spills. How often you apply the wax depends on how much wear the furniture receives.

NOTICE

- * Please make sure that you have all parts indicated before you begin assembly this item.
- * This item should be assembled on a soft surface to prevent scratching the finish during assembly.
- * This item may require periodic tightening.
- * At least 2 person require to assemble this product.

Part List and Hardware List

PIECE	DESCRIPTION	PICTURE	QUANTITY
A	Top Panel		1x
B	Leg Frame L		1x
C	Leg Frame R		1x
D	Drawer Unit		1x
E	Handle Bar		1x
F	Shelf Panel		2x
G	Apron		4x
HW 1	Jcbc Bolt M6x0.5x40mm		2x
HW 2	Jcbc Bolt M6x0.5x60mm		12x
HW 3	Barrel Nut		10x
HW 4	Silver Metal Knob		2x
HW 5	Truss Screw 20mm		2x
HW 6	Wood Button		12x
HW 7	Caster Wheel		4x
HW 8	Wood Dowel M8 x 30mm		8x
HW 9	Allen Key M4		1x
HW 10	Spanner 13		1x



Item Id : KCH 1401

Product Dimensions : 38.97" W x 17.71" D x 36.22" H



Weight Capacity : 55 lbs

WARNING : DO NOT OVER TORQUE BOLTS/SCREWS

NOTE :

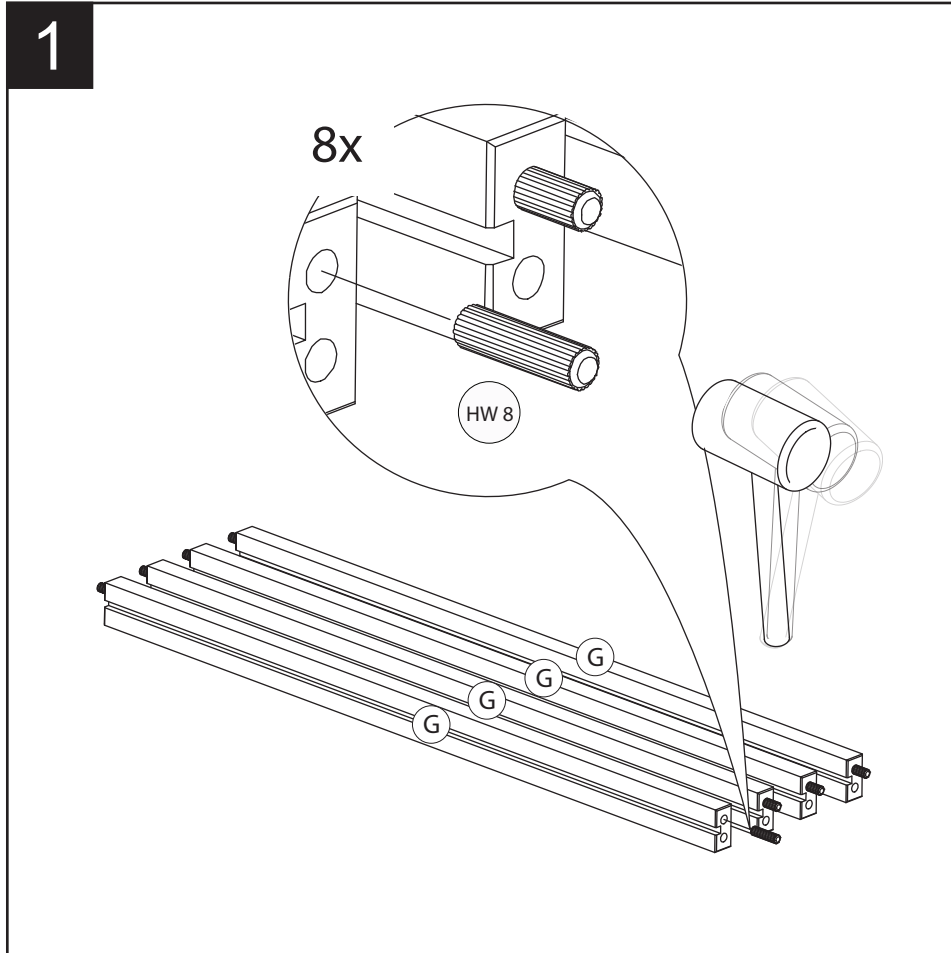
-  Phillip Screw Driver (Not Provided)
-  Mallet (Not Provided)

PREPARATION

Before beginning assembly of product, make sure all parts are present. Compare parts with package content list.

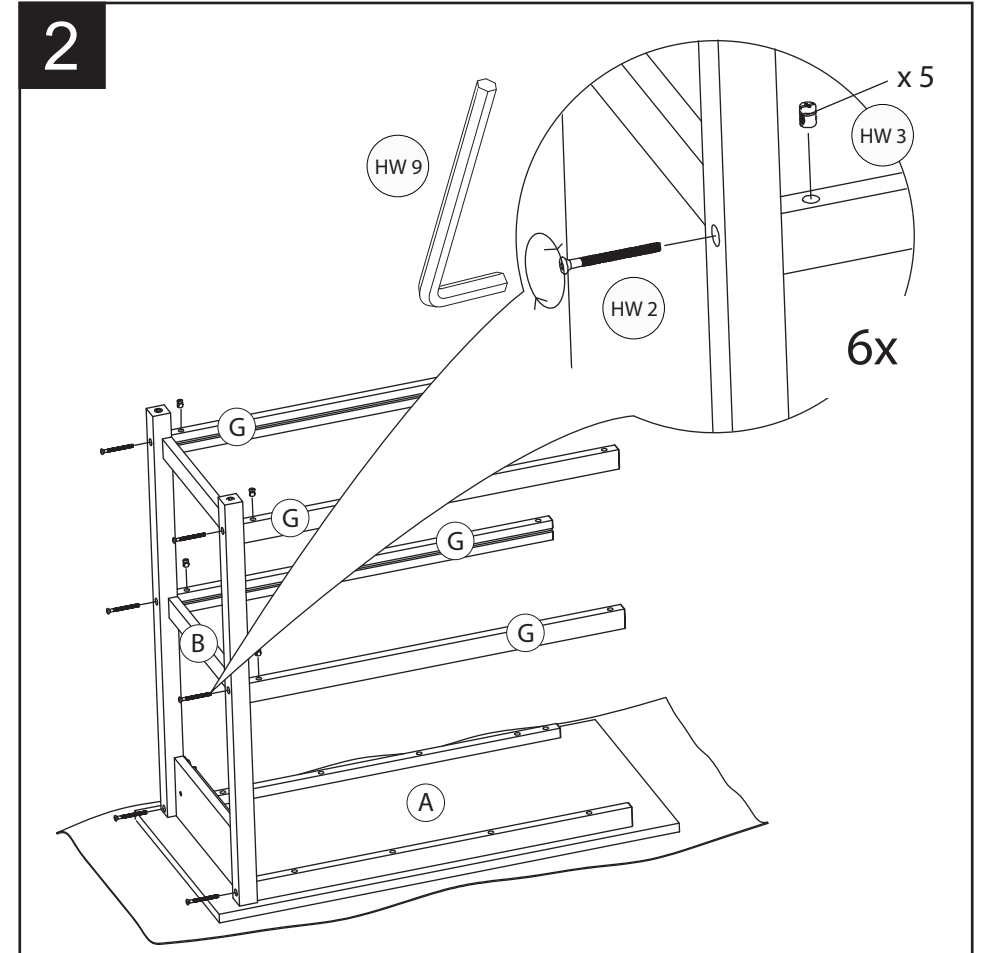
If any part is missing or damaged, do not attempt to assemble the product.

Estimated Assembly Time : 20 minutes.



Step 1

Insert the wood dowel inside the hole at the apron.



Step 2

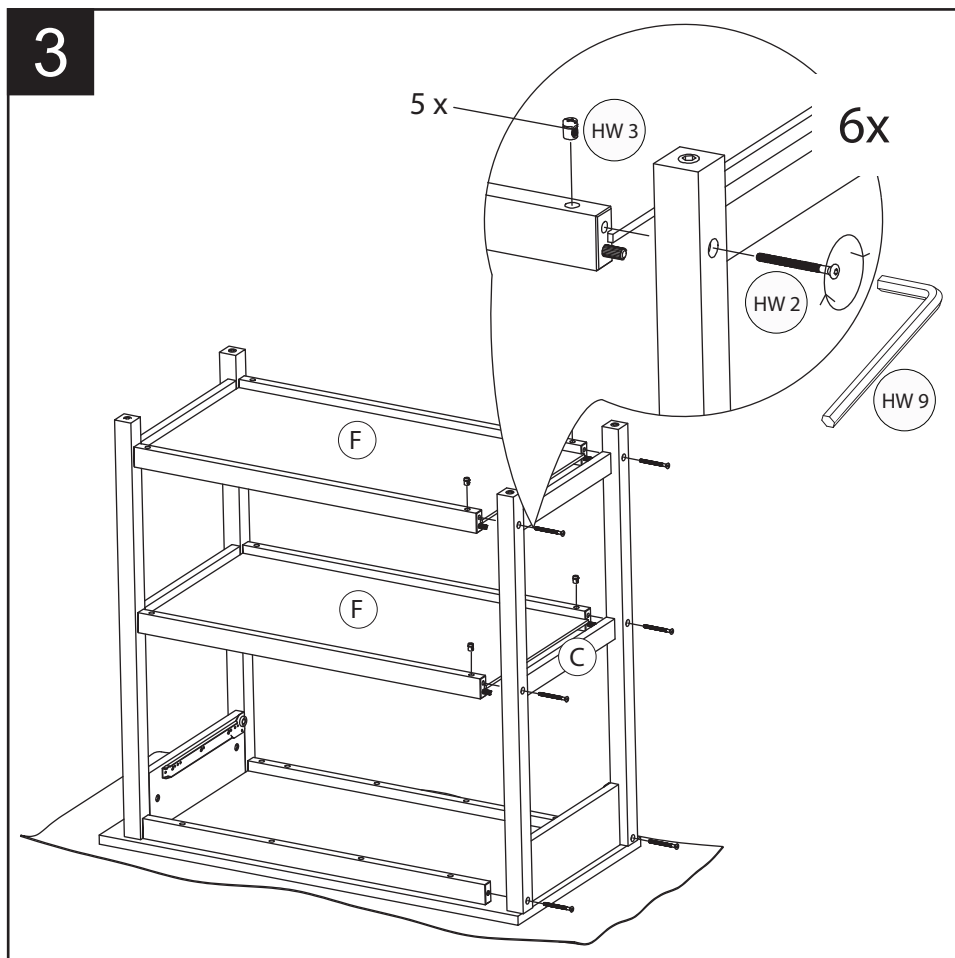
Put the table top upside down on the clear and smooth surface to avoid the surface scratch. Tight the leg at the table top then attach the apron at the leg.

PREPARATION

Before beginning assembly of product, make sure all parts are present. Compare parts with package content list.

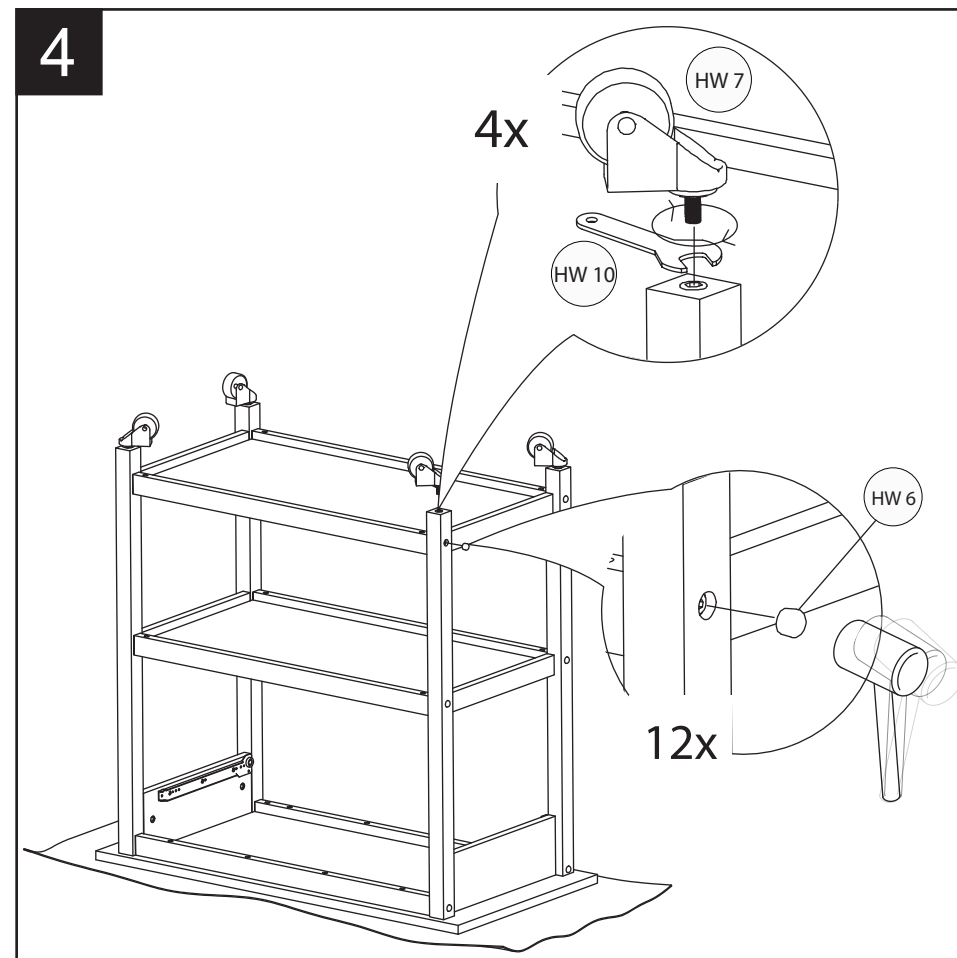
If any part is missing or damaged, do not attempt to assemble the product.

Estimated Assembly Time : 20 minutes.



Step 3

Insert the both shelf inside the groove at the apron. Then tight the leg



Step 4

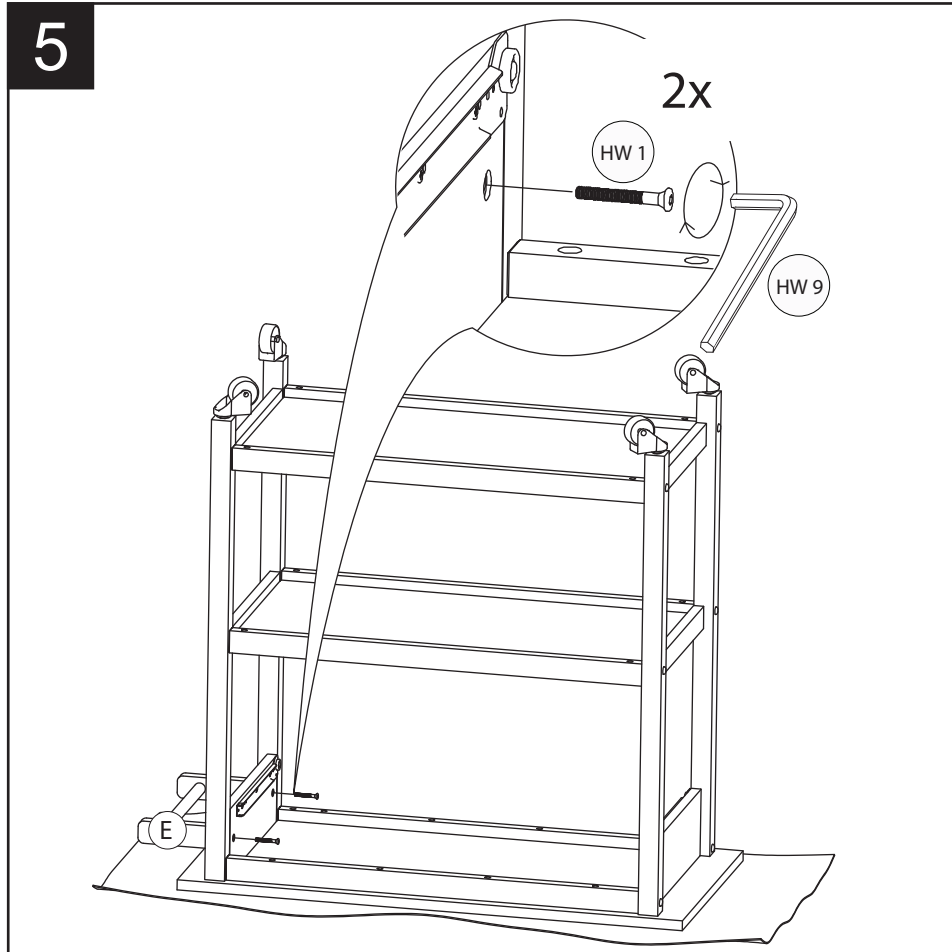
Attach the caster wheel at the leg and insert wood button.

PREPARATION

Before beginning assembly of product, make sure all parts are present. Compare parts with package content list.

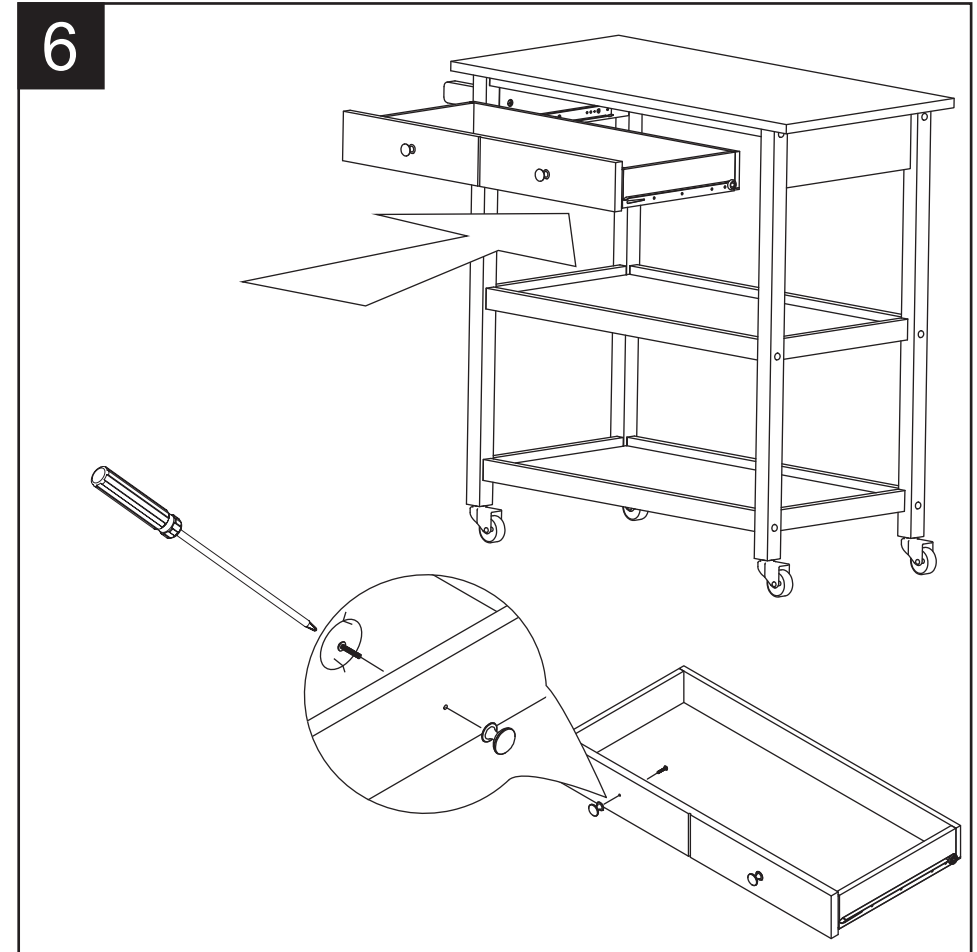
If any part is missing or damaged, do not attempt to assemble the product.

Estimated Assembly Time : 20 minutes.



Step 5

Assemble the handle bar.



Step 6

Attach the Silver Metal Knob, then insert drawer unit through the slider rail.