

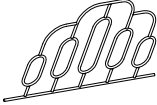











## CARE AND MAINTENANCE

Wipe clean with a soft, dry cloth. Test the cleaning method on a hidden area before using them over the entire area.

## NOTICE

- \* Please make sure that you have all parts indicated before you begin assembly of this item.
- \* This item should be assembled on a soft surface to prevent scratching the finished product during assembly.
- \* This item may require periodic tightening.
- \* Do not tighten bolts until completely assembled.

## Part List and Hardware List

PIECE	DESCRIPTION	PICTURE	QUANTITY
A	Headboard		1x
B	Headboard post L		1x
C	Headboard post R		1x
D	Connect bar		2x
H1	Allen Bolt	 1/4"x1-1/2"	8x
H2	Allen Bolt	 5/16"x1-1/4"	4x
H3	Flat Washer	 $\phi 23 \times 1.8$	8x
H4	Spring Washer	 5/16"	4x
H5	Nut	 5/16"	4x
H6	Wrench	 M12	1x
H7	Allen Key L	 M5	1x
H8	Allen Key S	 M4	1x

The hardware that is needed to connect the headboard to the bed frame is included. Please note that our headboard legs are compatible to most standard bedframes. Our headboards **DO NOT** include a mounting bracket.

Example of Mounting Bracket'

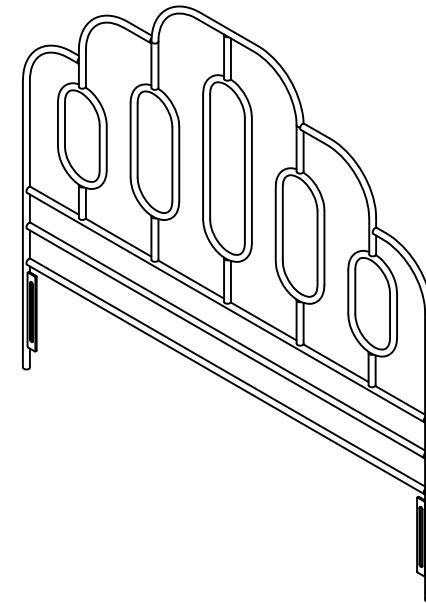


# SAFAVIEH

## FURNITURE

Model# HBD6201-F

Product Dimensions: 55-7/8"Wx3/4"Dx59"H



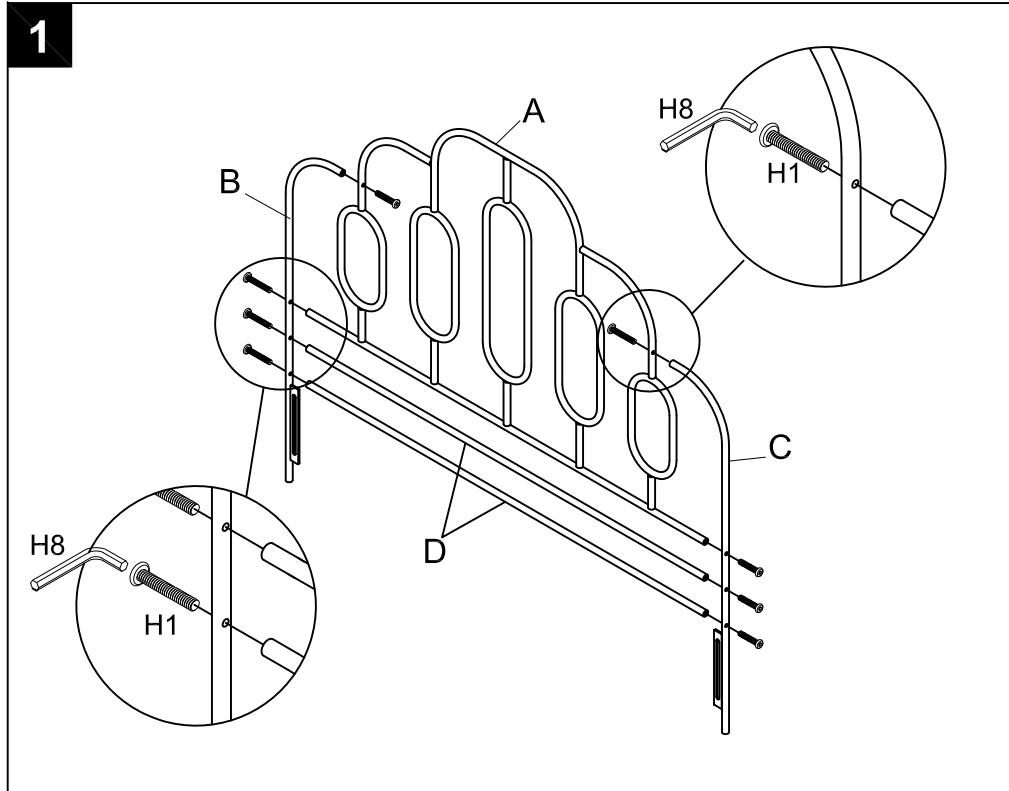
Weight capacity : 550lbs  
WARNING : DO NOT STAND ON THE BED

## PREPARATION

Before beginning assembly of product, make sure all parts are present. Compare parts with package contents list and hardware contents list. If any part is missing or damaged, do not attempt to assemble the product.

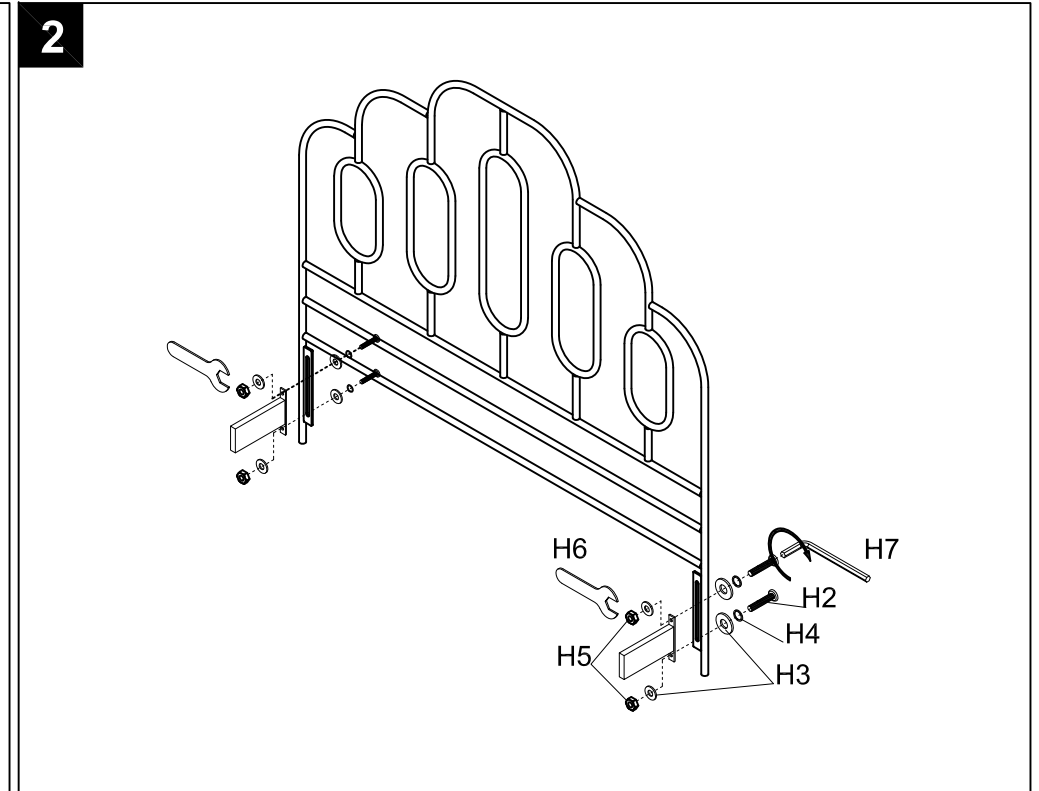
Estimated Assembly Time: 30 minutes.

Tools Required for Assembly (included): Allen Key



### Step 1

Attach Headboard Post-L (B), Headboard Post-R (C) and 2\*connect bars (D) to the Headboard (A), Use Allen Key (H8) to lock 8\*Allen bolts (H1). Reference image above.



### Step 2

To assemble Side Rail (not provided) with Headboard ==> Use Allen key (H7) to lock 4\*Allen bolts (H2) with the Spring Washer (H4) & Flat Washer (H3). Use Wrench (H6) to lock into assembled headboard/post with Flat Washer (H3) and Nut (H5) from the other side. Reference image above. Assembly is completed.

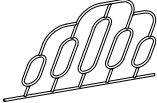











## CARE AND MAINTENANCE

Wipe clean with a soft, dry cloth. Test the cleaning method on a hidden area before using them over the entire area.

## NOTICE

- \* Please make sure that you have all parts indicated before you begin assembly of this item.
- \* This item should be assembled on a soft surface to prevent scratching the finished product during assembly.
- \* This item may require periodic tightening.
- \* Do not tighten bolts until completely assembled.

## Part List and Hardware List

PIECE	DESCRIPTION	PICTURE	QUANTITY
A	Headboard		1x
B	Headboard post L		1x
C	Headboard post R		1x
D	Connect bar		2x
H1	Allen Bolt	 1/4"x1-1/2"	8x
H2	Allen Bolt	 5/16"x1-1/4"	4x
H3	Flat Washer	 $\phi 23 \times 1.8$	8x
H4	Spring Washer	 5/16"	4x
H5	Nut	 5/16"	4x
H6	Wrench	 M12	1x
H7	Allen Key L	 M5	1x
H8	Allen Key S	 M4	1x

The hardware that is needed to connect the headboard to the bed frame is included. Please note that our headboard legs are compatible to most standard bedframes. Our headboards **DO NOT** include a mounting bracket.

Example of Mounting Bracket'

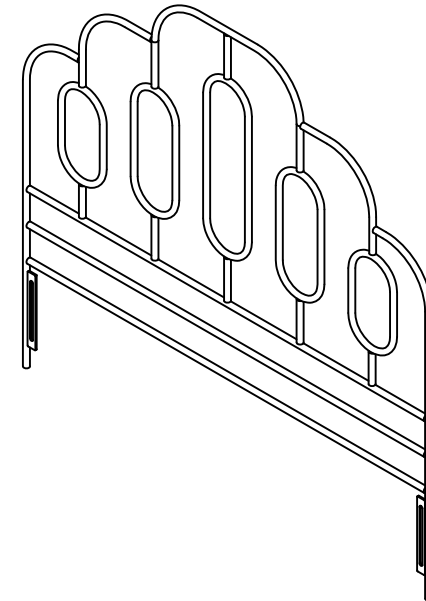


# SAFAVIEH

## FURNITURE

Model# HBD6201-Q

Product Dimensions: 61-7/8"Wx3/4"Dx59"H



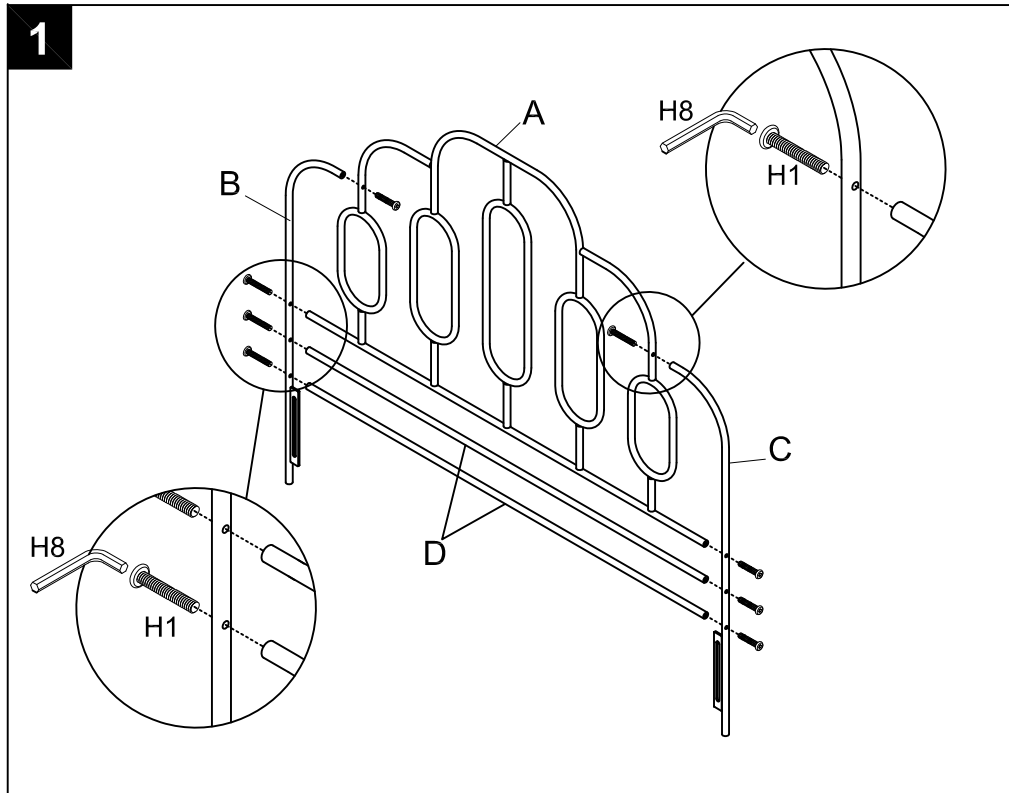
Weight capacity : 550lbs  
WARNING : DO NOT STAND ON THE BED

## PREPARATION

Before beginning assembly of product, make sure all parts are present. Compare parts with package contents list and hardware contents list. If any part is missing or damaged, do not attempt to assemble the product.

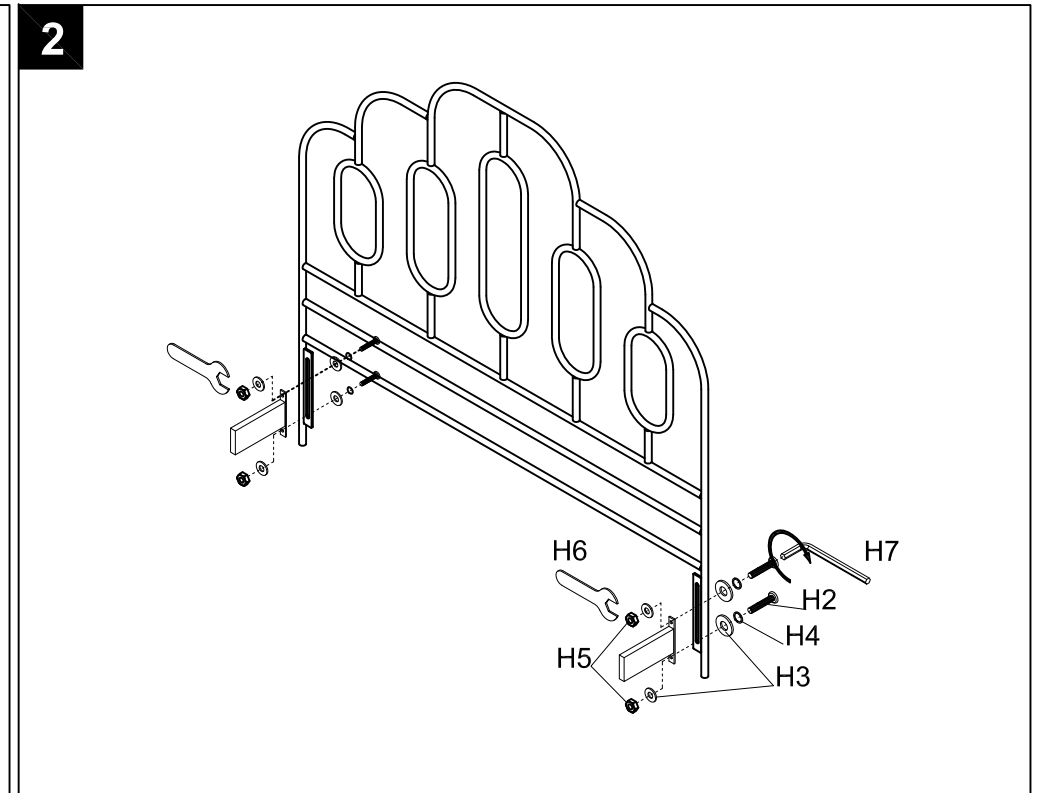
Estimated Assembly Time: 30 minutes.

Tools Required for Assembly (included): Allen Key



### Step 1

Attach Headboard Post-L (B), Headboard Post-R (C) and 2\*connect bars (D) to the Headboard (A), Use Allen Key (H8) to lock 8\*Allen bolts (H1). Reference image above.



### Step 2

To assemble Side Rail (not provided) with Headboard ==> Use Allen key (H7) to lock 4\*Allen bolts (H2) with the Spring Washer (H4) & Flat Washer (H3). Use Wrench (H6) to lock into assembled headboard/post with Flat Washer (H3) and Nut (H5) from the other side. Reference image above. Assembly is completed.