

CARE AND MAINTENANCE

Never use abrasive or acid-based cleaners on the shelf rack.

Clean shelves and rods with a solution of mild detergent and water .Use a soft cloth or sponge to wipe parts.Rinse and dry thoroughly.Keep surfaces dry and clean for a longer lasting finish.

NOTICE

Please read and understand these instructions before attempting to assemble,operate or install the product.

-Two adults required for a assembly.

-Do not allow children to climb or play in or around the shelves .

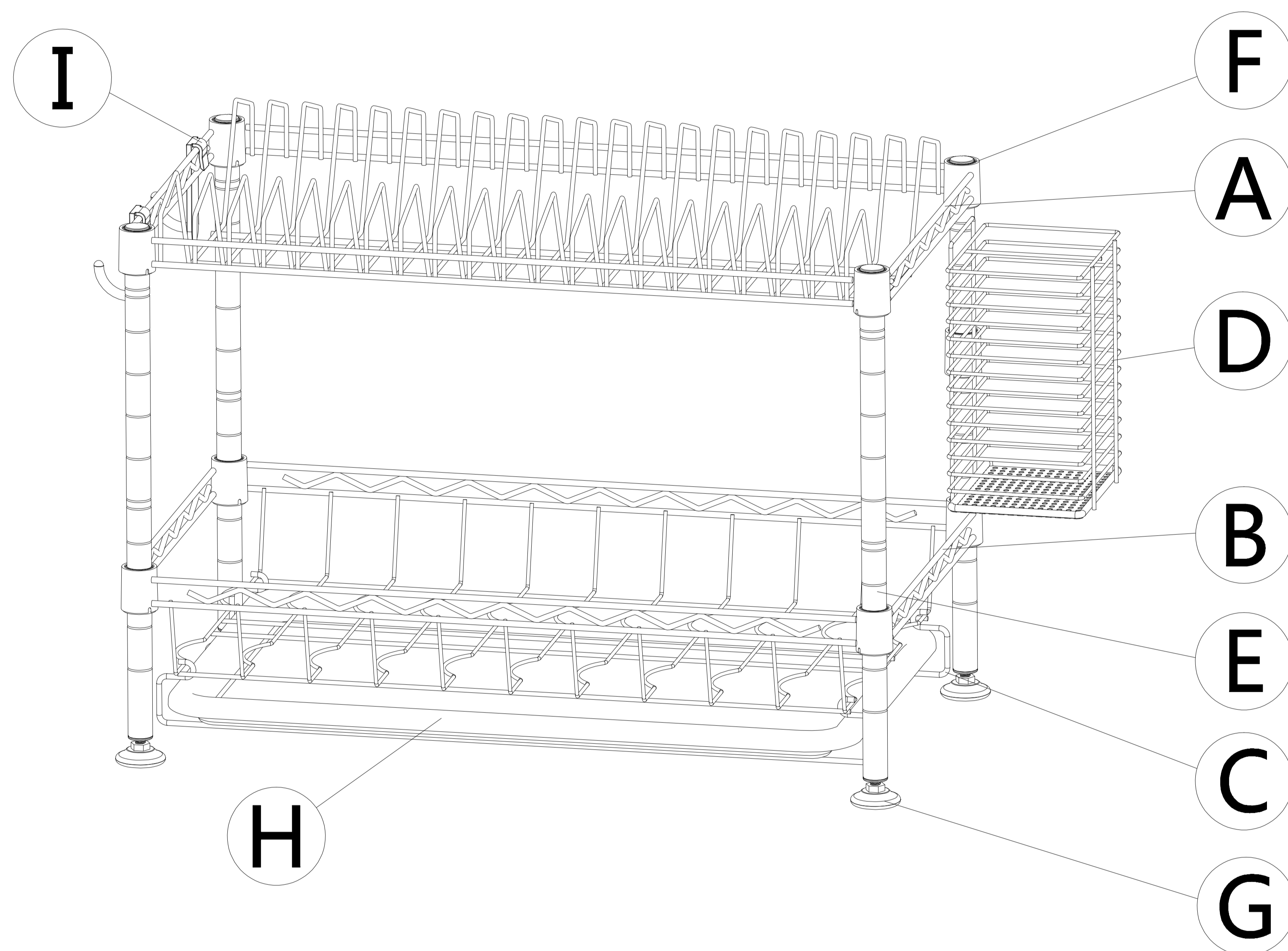
-Each shelf holds up to 66 Ibs.When items are evenly distributed.

-Assemble on a soft surface,such as carpeting to avoid scratching the finish .



Model#HAC1000A

SIZE: W17.7XD9.8XH11.8in



No.	A	B	C	D	E	F	G	H	I
Name	W-Shaped Dish Shelf	Wire Basket	Tray Holder	Cutlery Holder	Pole	Plastic Clip	Adjustable Feet	PP Tray	Plastic Hook
Parts									
Quantity	1PC	1PC	1PC	1PC	4PCS	18PCS	4PCS	1PC	2PCS

PREPARATION

1.Before beginning assembly of product,make sure all parts are present.Compare parts with package contents list and hardware contents .If any parts is missing or damaged,do not attempt to assemble the product .

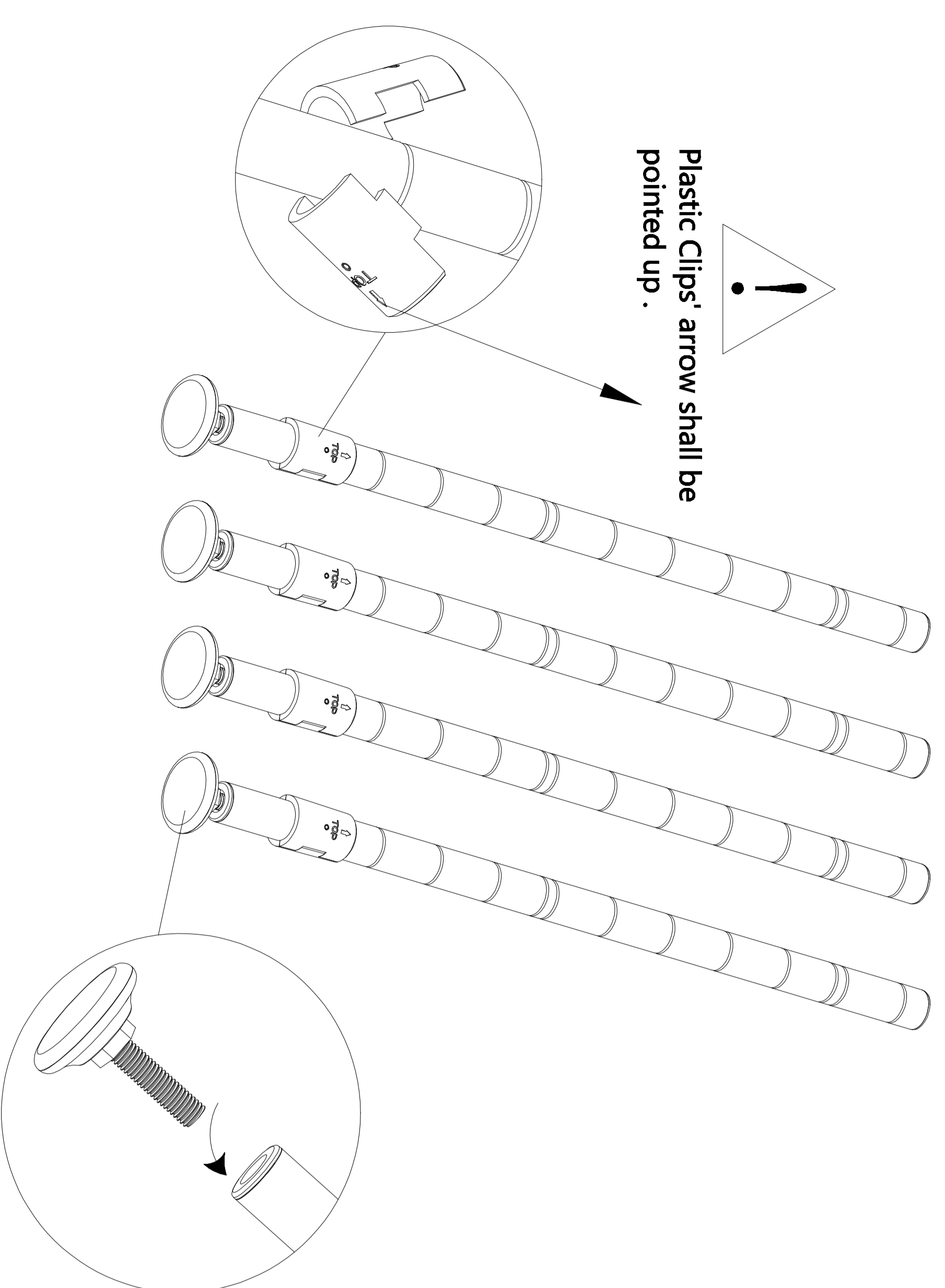
2.Estimated Assembly Time :Approximately 15-20 minutes.

3.Helpful Tools(not included):Rubber Mallet.

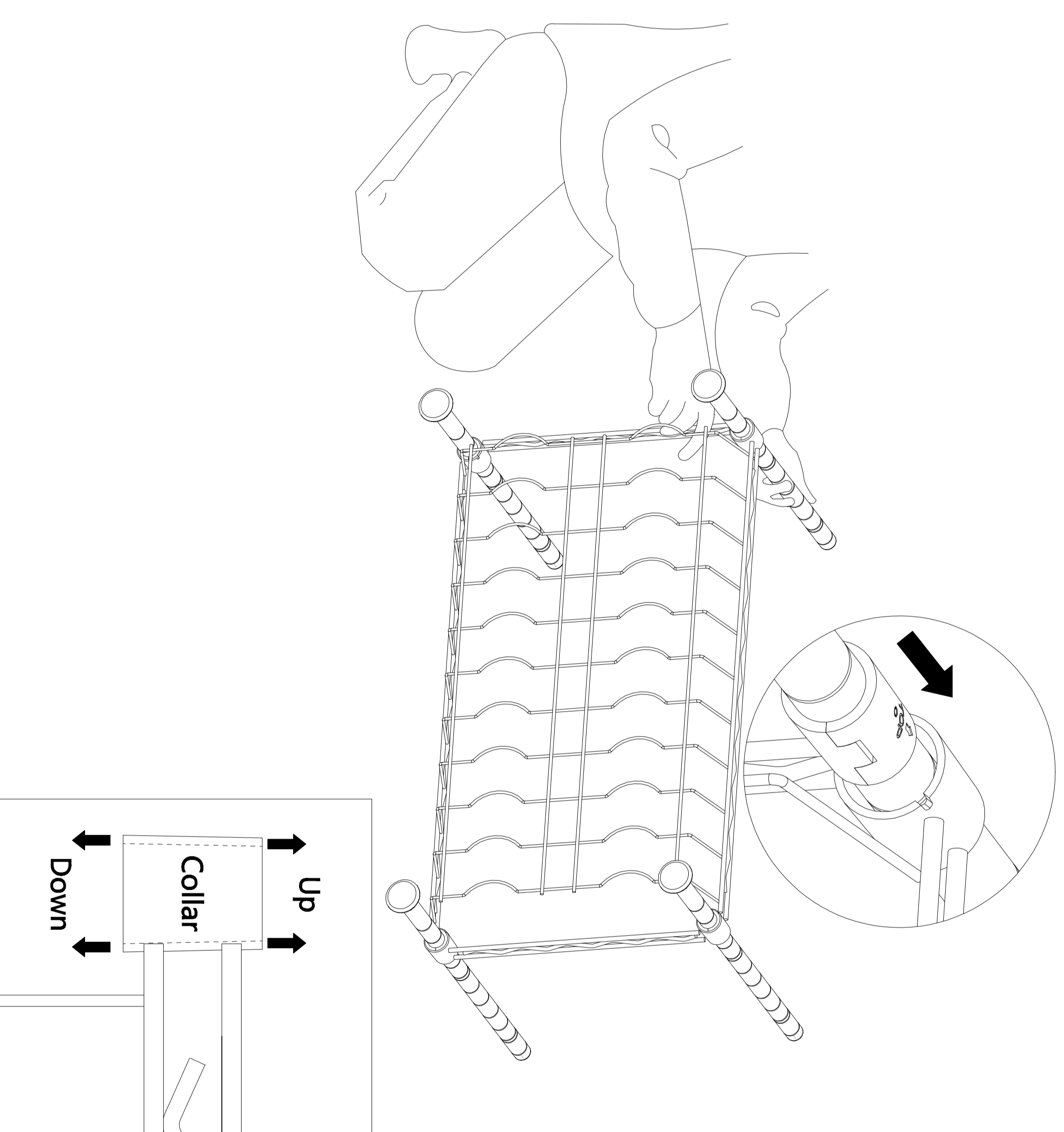
4.No Tools Required for Assembly.

Assembly Steps:

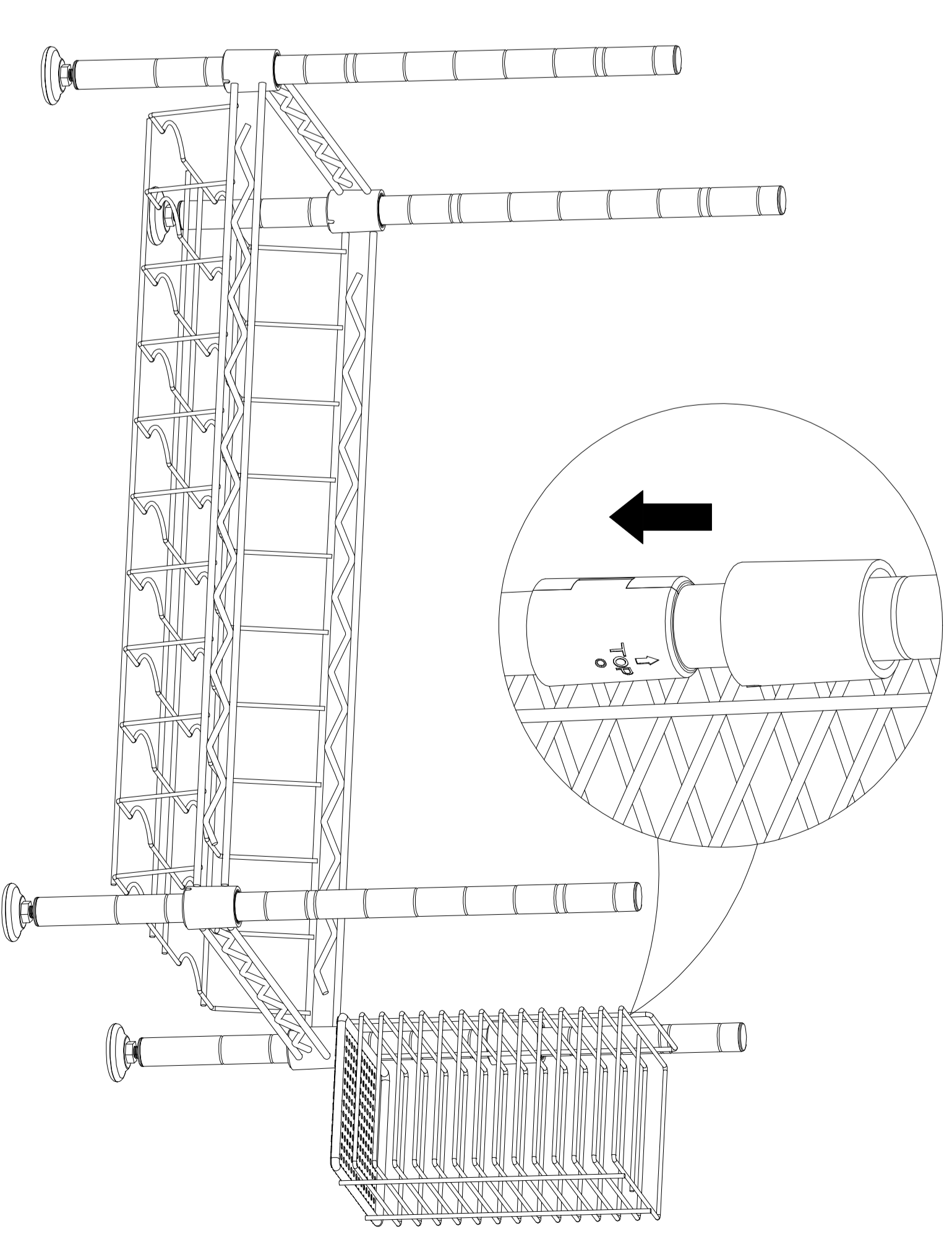
- 1** Screw the Adjustable Feet(G) into the bottom of four Poles(E). Snap Plastic Clips(F) onto the pole grooves of four poles at the same position and make sure the arrow of Plastic Clips(F) are pointed up.



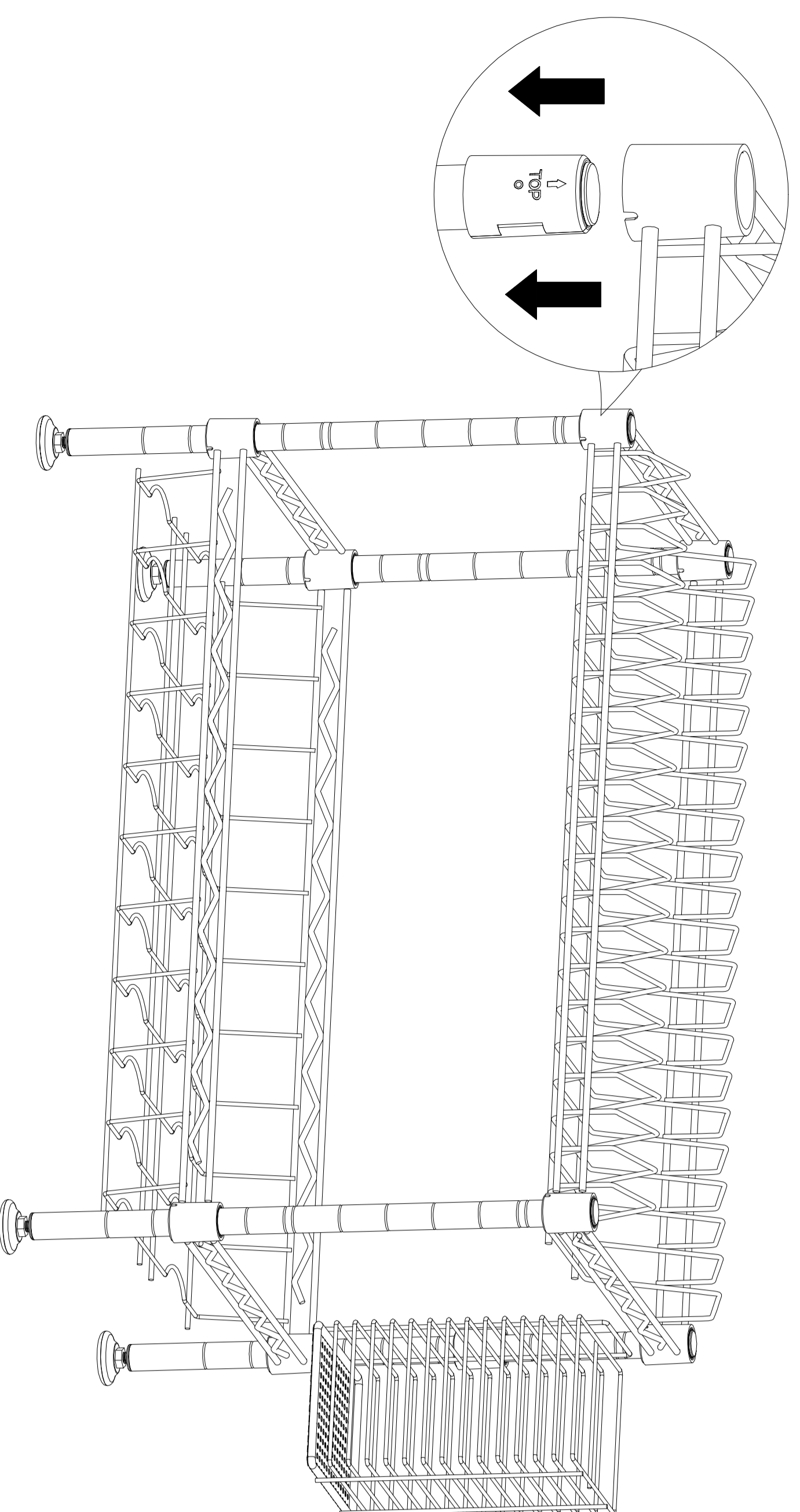
- 2** Please make sure Wire Basket(B)the correct way up.Hold the wire basket on its side and slide the top of four poles through the bottom of each shelf at its corners until there is snug fit.After four poles have been slid through the shelf collar holes,set the shelf upright.



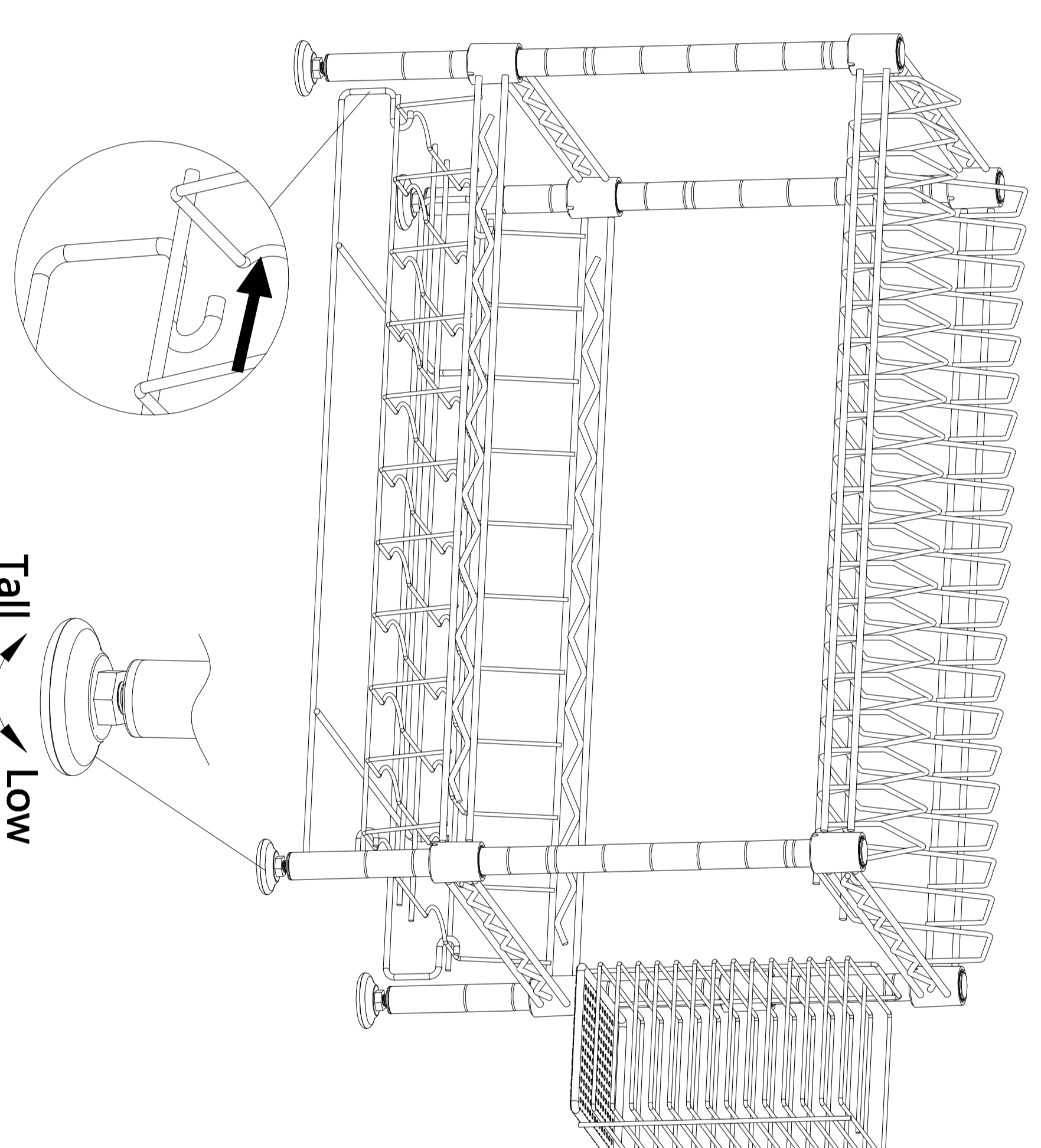
- 3** The repeat the step①&② assemble the Cutlery Holder (D) at the place you desire.



- 4** Then repeatthe step① and step② to assemble the W-Shaped Dish Shelf(A) at the top of poles.



- 5** Screw the Adjustable Feet(G)into the bottom of pole to attain to proper leveling.Attach the Tray Holder(C) onto the side frame of bottom wire basket as the photo.



- 6** Then slide the PP Tray (H) into tray holder.And hang up the two Plastic Hooks(I) on the shelf frame of the top shelf.

