

CARE AND MAINTENANCE

For cleaning of the frame, use a mild,soapy water, then dry the surface immediately with a clean,soft cloth.For glass,dust with a soft,dry cloth.Do not use abrasive cleaner.
To use of washing powder or any other substances containing abrasives may scratch the glass.

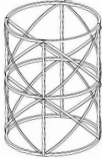


NOTICE

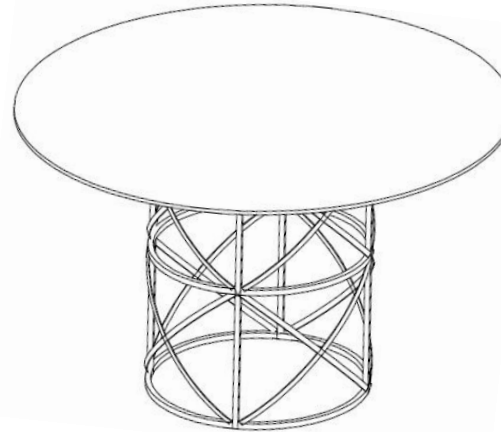
* Please make sure that you have all parts indicated before you begin assembly of this item
* This item should be assembled on a soft surface to prevent scratching the finish during assembly

SAFAVIEH
C O U T U R E

FOX9053A
DIMENSIONS : 53.94"RX29.53"H

Part List and Hardware List

PIECE	DESCRIPTION	PICTURE	QUANTITY
A	Stainless Steel Frame		1X
B	Glass Table Top		1X
			



WEIGHT CAPACITY: 122 LBS
WARNING: DO NOT STAND ON TABLE

The Suction Cup is hang on the Frame

PREPARATION

Before beginning assembly of product, make sure all parts are present. Compare parts with package contents list and hardware contents list.
If any part is missing or damaged, do not attempt to assemble the product.
Estimated Assembly Time: 3 minutes.

 <p>SUCTION CUP</p>		
<p>STEP1 PUT 4PCS OF SUCTION CUP ON STAINLESS STEEL FRAME(A) AS PICTURE</p>	<p>STEP2 CAREFULLY PLACE THE MARBLE TABLE TOP(B) ONTO THE STAINLESS STEEL FRAME(A) .</p>	<p>STEP3 CHECK FOR STABILITY. YOUR TABLE IS NOW READY FOR USE</p>