

CARE AND MAINTENANCE

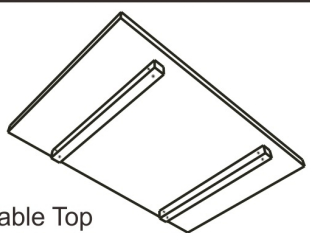
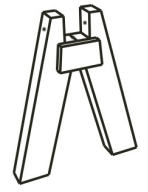
Do not use acids or alkaline cleaning agents. Sharp objects will damage (scratch) the surface. Wipe the surface with a soft cloth (not be too wet).

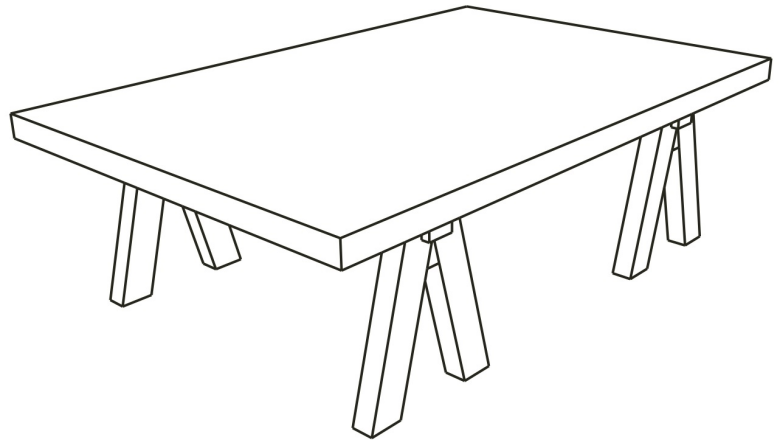
NOTICE



- * Please make sure that you have all parts indicated before you begin assembly of this item
- * This item should be assembled on a soft surface to prevent scratching the finish during assembly
- * This item may require periodic tightening



MODEL : # FOX6539A
 PRODUCT DIMENSION : 47.1/4"W x 31.1/2"D x 14.1/2"H

NO.	TABLE PARTS	QTY
1	 Table Top	1
2	 Table Legs (2 Left & 2 Right)	4



NO.	HADWARE PACKAGE	QTY
A	 Bolt	12
B	 Ring / Spacer	12

PREPARATION

Before beginning assembly of product make sure all parts are package compare parts with package contents list and hardware contents list. If any part missing or damaged, do not attach to assemble the product. Estimated Assembly Time : 5 minute
 Tools Required for Assembly (Included)

