

NOTICE

- *Please make sure that you have all parts indicated and they are in good condition before you begin assembly of this item. Refer to parts list and hardware list below for guidance.
- *This item should be assembled on a soft surface to prevent scratching the finished goods during assembly.
- *This item may require periodic tightening.
- *If you are having difficulty, our friendly Customer Care team is always here to help. Please email customersupport@safavieh.com

PREPARATION

- *Before beginning assembly of product, make sure all parts are present. Compare parts with part contents list and hardware contents list.
- *If an part is missing or damaged, do not attempt to assemble the product.
- *Estimated Assembly Time: 30 minutes.
- *Tools Required for Assembly (included): Allen Key .

CARE AND MAINTENANCE


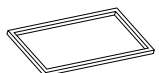








INDOOR METAL/ALUMINUM FURNITURE

Wipe spills immediately. Maintain with regular dusting and clean with mild soap and water, dry thoroughly and do not use a brass cleaner. Adhesive felt pads should always be used/applied in order to prevent damage to the furniture or surfaces on which the furniture is placed.

GLASS AND MIRROR CARE

Dust with a soft, dry cloth. Do not use abrasive cleaner. To clean mirror, spray a small amount of glass cleaner onto a lint-free cloth and wipe mirror clean.

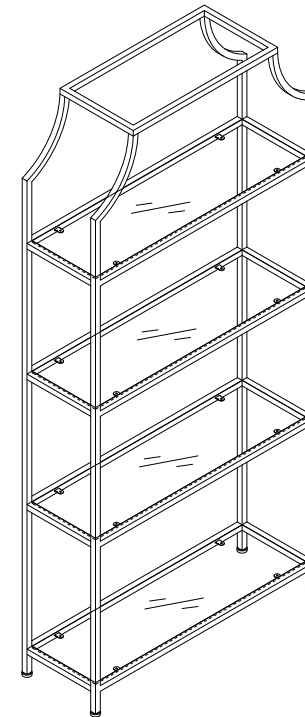
Part List and Hardware List

PIECE	DESCRIPTION	PICTURE	QUANTITY
A	Side Frame		2x
B	Top Frame		1x
C	Connecting Bar		8x
D	Glass Shelf		4x
HW1	Hex Socket Bolt	 1/4"-20 x 1.5"	4x
HW2	Hex Socket Bolt	 1/4"-20 x 0.625"	32x
HW3	Suction Cup	 Ø3/4"	16x
HW4	Allen Key	 M4	1x
HW5	Anti-Tip Hardware		2x
HW6	Flat Washer	 Ø1/4" x Ø0.625"	4x

 **SAFAVIEH**
FURNITURE

Model# FOX6298

Product Dimensions: 36"W x 12"D x 80"H



Weight capacity : 30 lbs of each shelf
WARNING : DO NOT STAND ON PRODUCT
WARNING : DO NOT OVER TORQUE BOLTS

PREPARATION

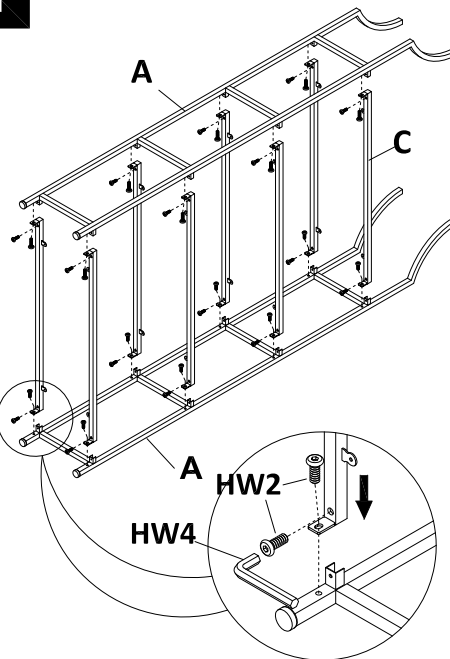
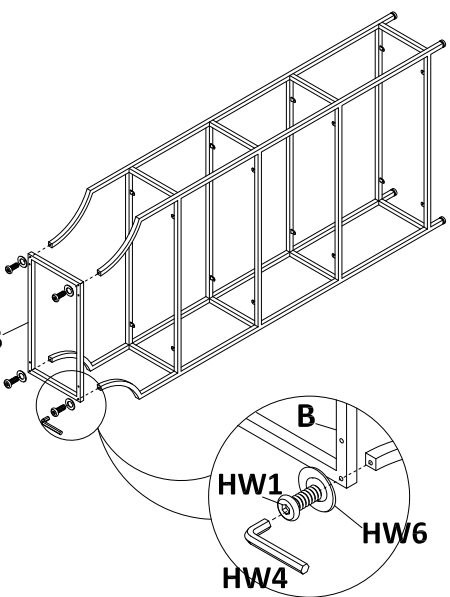
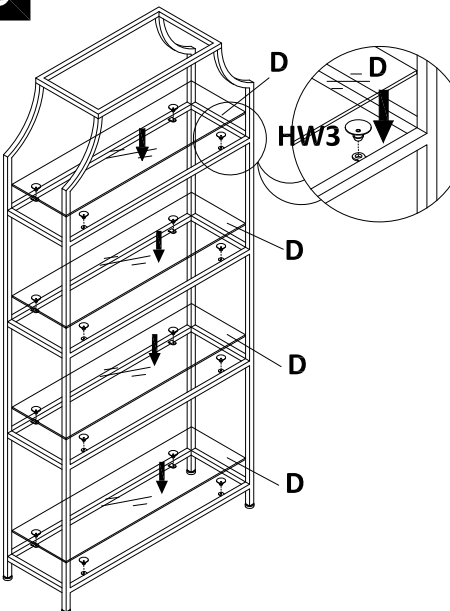
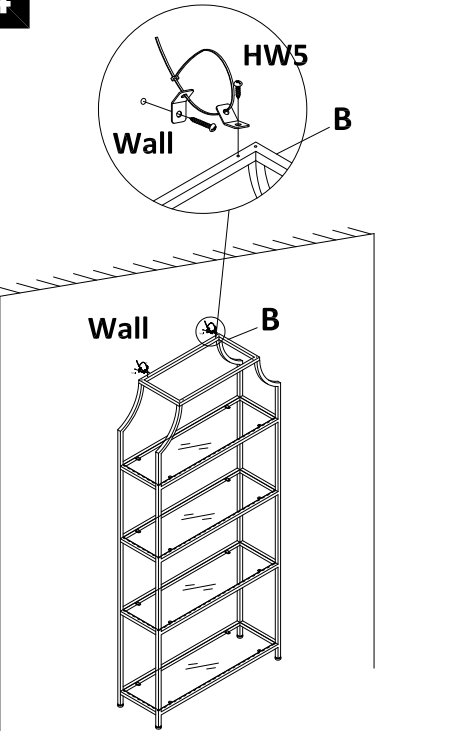
*Before beginning assembly of product, make sure all parts are present. Compare parts with part contents list and hardware contents list.

*If any part is missing or damaged, do not attempt to assemble the product.

*Estimated Assembly Time: 30 minutes.

*Tools Required for Assembly (included): Allen Key.

*If you are having difficulty, our friendly Customer Care team is always here to help. Please email customersupport@safavieh.com

<p>1</p>  <p>*Do not fully tighten the bolts until the product is assembled.</p>	<p>2</p>  <p>*Do not fully tighten the bolts until the product is assembled.</p>	<p>3</p>  <p>*After properly adjusting the levelers for stability, then fully tighten all bolts.</p>	<p>4</p>  <p>Wall B</p>
<p>Step 1</p> <p>Attach 8x connecting bars (C) to the both side frame (A), Use Allen Key (HW4) to lock 32x Hex Socket Bolts (HW2).</p>	<p>Step 2</p> <p>Attach top frame (B) to the assembled rack frame, Use Allen Key (HW4) to lock 4x Hex Socket Bolts (HW1) and 4x Flat washer (HW6).</p>	<p>Step 3</p> <p>Straighten up the assembled rack, place 16x suction cups (HW3) on 4 shelves frame in position, and place 4x Glass shelves (D) on 4 shelves.</p>	<p>Step 4</p> <p>Following the Installation Instructions of anti-tipping to fix the rack with wall by 2 straps, Assembly is completed.</p>