



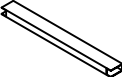
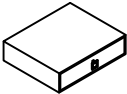




CARE AND MAINTENANCE

Wipe clean with a soft, dry cloth. Test the cleaning method on a hidden area before using them over the entire area.

NOTICE

- * Please make sure that you have all parts indicated before you begin assembly of this item.
- * This item should be assembled on a soft surface to prevent scratching the finished product during assembly.
- * This item may require periodic tightening.
- * Do not tighten bolts until completely assembled.

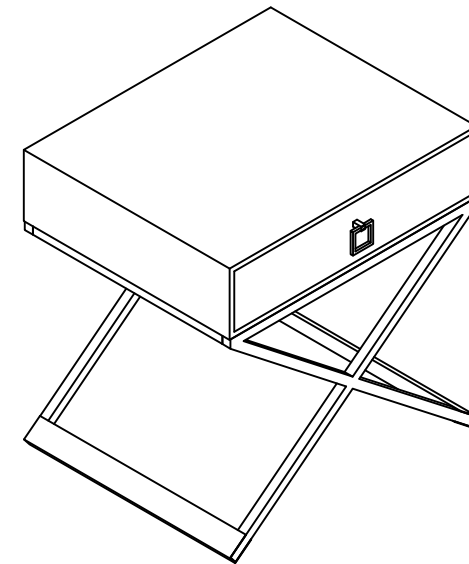
Part List and Hardware List

PIECE	DESCRIPTION	PICTURE	QUANTITY
A	Side Frame		2x
B	Upper Stretcher		2x
C	Bottom Stretcher		2x
D	Cabinet		1x
H1	Allen bolt	 1/4"x 5/8"	4x
H2	Allen bolt	 1/4"x 1"	4x
H3	Wood Screw	 $\phi 8 \times 12$	8x
H4	Allen Key	 M4	1x

 **SAFAVIEH**
FURNITURE

Model# FOX6295

Product Dimensions: 24"Wx20"Dx25-1/4"H

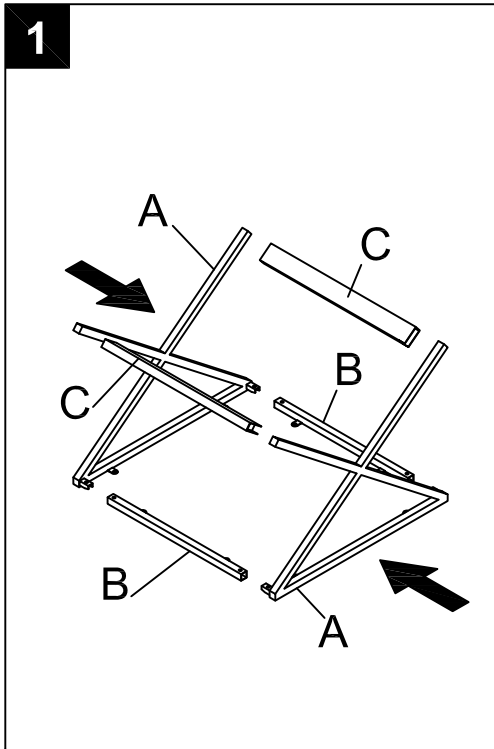


PREPARATION

Before beginning assembly of product, make sure all parts are present. Compare parts with package contents list and hardware contents list. If any part is missing or damaged, do not attempt to assemble the product.

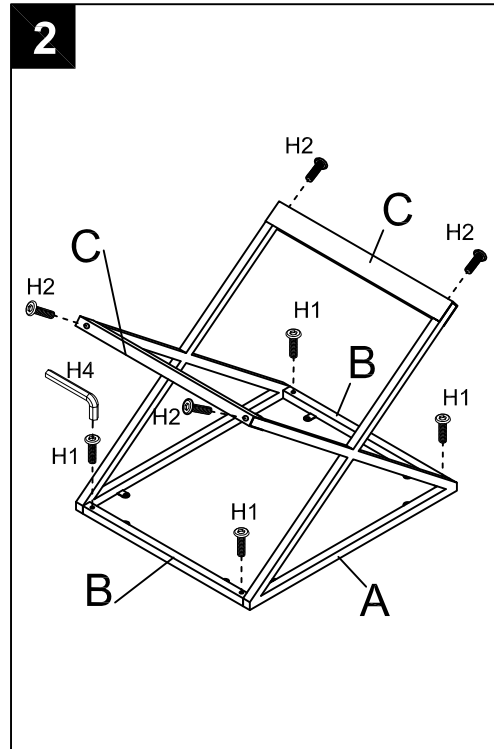
Estimated Assembly Time: 20 minutes.

Tools Required for Assembly (included): Allen Key



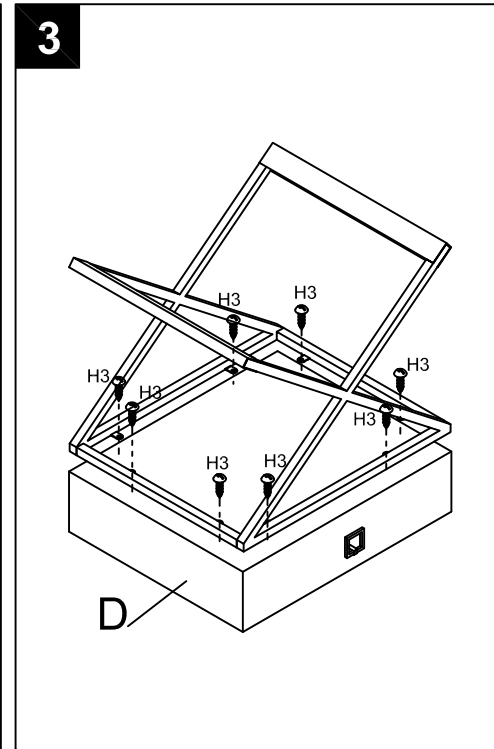
Step 1

Attach 2*Upper Stretchers (B) to both Side Frames (A). then attach 2*Bottom Stretchers (C) to bottom of side frames (A), be a metal base.



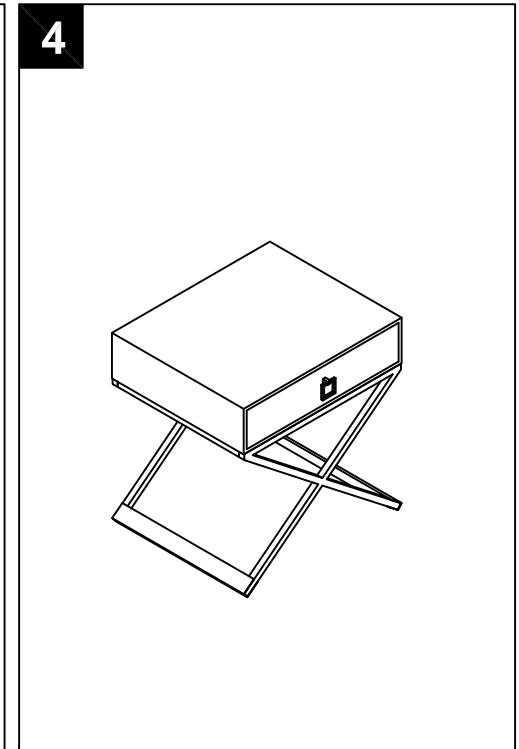
Step 2

Insert 4*Allen bolts (H1) with Allen key (H4) and then insert 4*Allen bolts (H2) with Allen key(H4) as pictured. Fully tighten these bolts.



Step 3

Flip the assembled metal based around. Then assemble it to the back side of the Cabinet (D). Use 8*Wood screw (H3) to lock through holes with the top of metal frame. as pictured.



Step 4

Assembly is completed.