


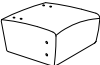

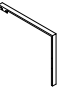





CARE AND MAINTENANCE

Wipe clean with a soft, dry cloth. The seat board can be cleaned with a mild cleaner. Test the cleaning method on a hidden area before using them over the entire area.

NOTICE

- * Please make sure that you have all parts indicated before you begin assembly of this item.
- * This item should be assembled on a soft surface to prevent scratching the finished product during assembly.
- * This item may require periodic tightening.
- * Do not tighten bolts until completely assembled.

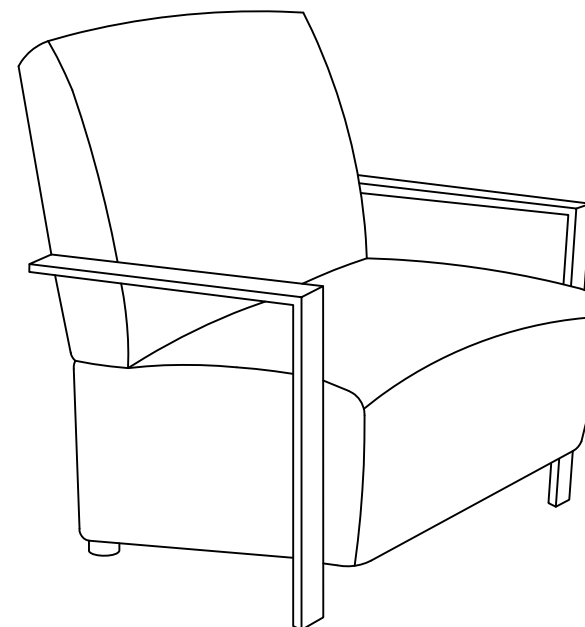
Part List and Hardware List

PIECE	DESCRIPTION	PICTURE	QUANTITY
A	Chair Back		1 X
B	Seat Frame		1 X
C	Side Frame (Left)		1 X
D	Side Frame (Right)		1 X
H1	Allen Bolt	 5/16"x2"	4 X
H2	Allen Bolt	 5/16"x1-1/2"	4 X
H3	Allen Bolt	 1/4"x1-1/2"	4 X
H4	Allen Key	 M4	1 X
H5	Allen Key	 M5	1 X

 **SAFAVIEH**
FURNITURE

Model# FOX6287

Product Dimensions:26-1/2"W*32-1/2"D*32-1/2"H

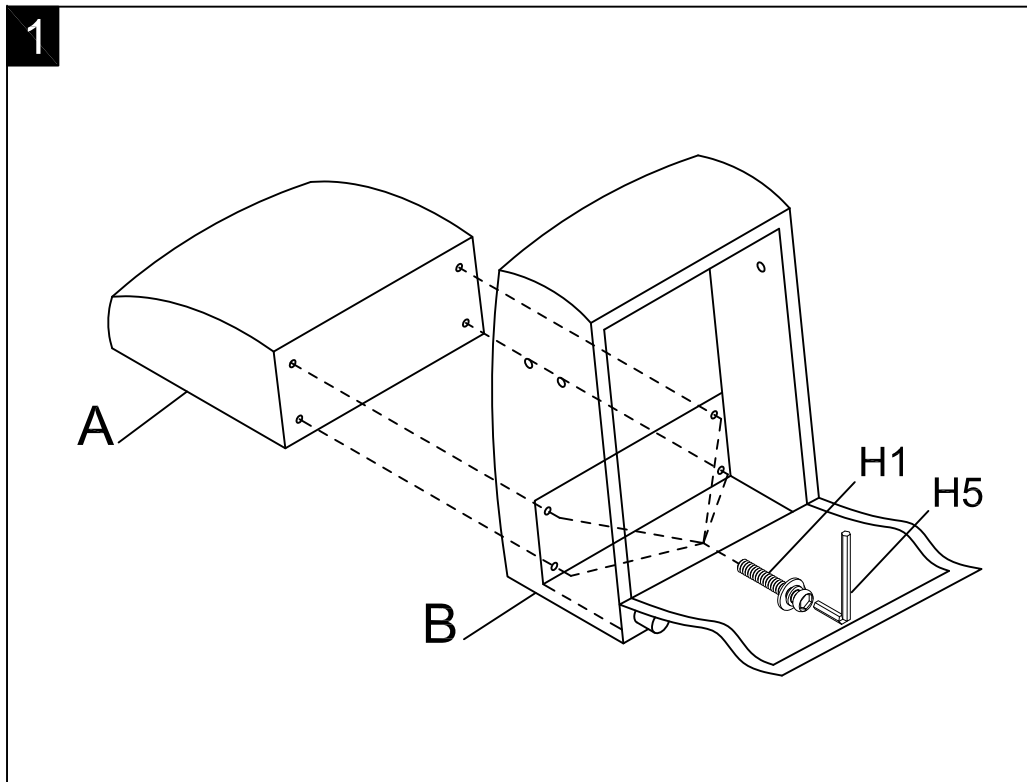


PREPARATION

Before beginning assembly of product, make sure all parts are present. Compare parts with package contents list and hardware contents list. If any part is missing or damaged, do not attempt to assemble the product.

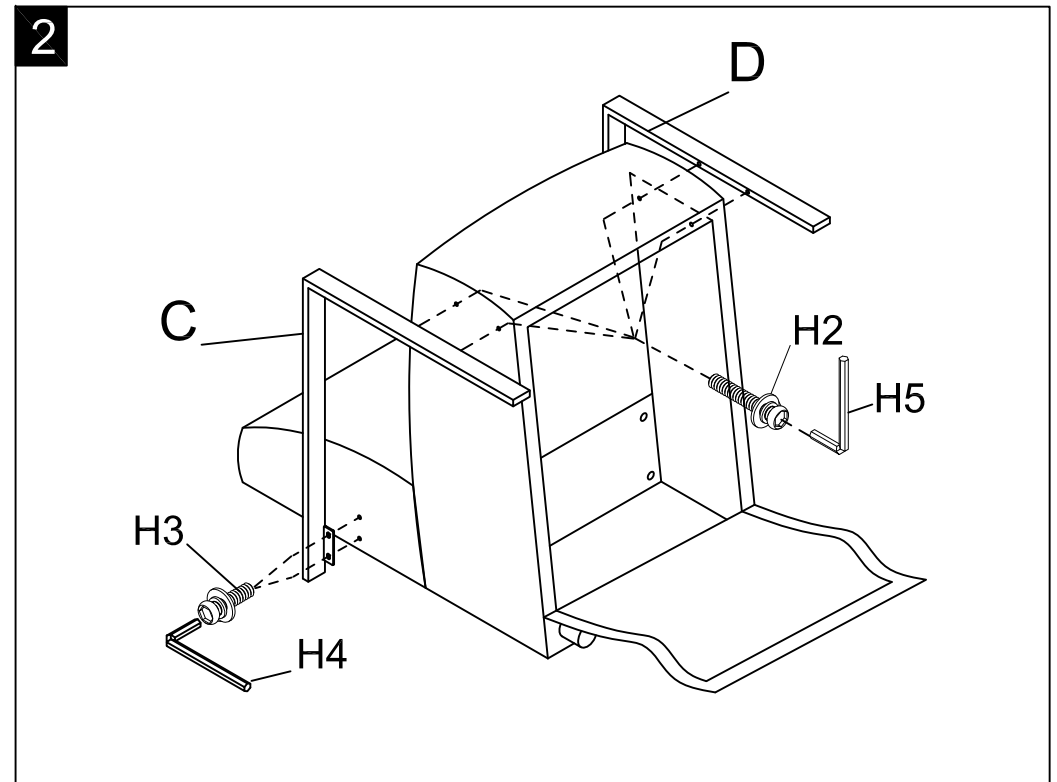
Estimated Assembly Time:20 minutes.

Tools Required for Assembly (included):Allen Key.



Step 1

Uncover Velcro fabric under seat frame (B). Align rear of Seat Frame (B) with the bottom of chair back (A). Using Allen Key (H5) to screw seat frame (B) to chair back (A) with 4*Allen Bolts (H1).



Step 2

Assemble Side Frame (Left) "C" and Side Frame (Right) "D" to the assembled of chair back/ seat frame. Using Allen key (H5) & 4*Allen Bolts (H2) to lock on seat frame(B); and Using Allen key (H4) & 4*Allen Bolts (H3) to lock on chair back(A), as picture. Cover the Velcro fabric to bottom side of Seat Frame (B) and press together to close tight.