











CARE AND MAINTENANCE

Wipe clean with a soft, dry cloth. The seat board can be cleaned with a mild cleaner. Test the cleaning method on a hidden area before using them over the entire area.

NOTICE

- * Please make sure that you have all parts indicated before you begin assembly of this item.
- * This item should be assembled on a soft surface to prevent scratching the finished product during assembly.
- * This item may require periodic tightening.
- * Do not tighten bolts until completely assembled.

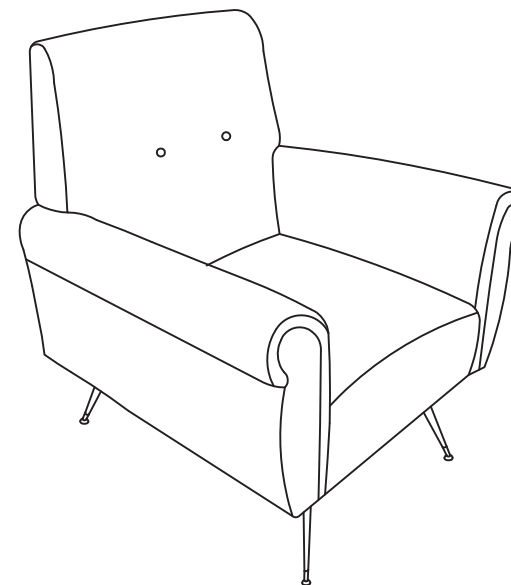
Part List and Hardware List

Piece	Description	Picture	Quantity
A	Chair Back		1 X
B1	Leg		1 X
B2	Leg		1 X
B3	Leg		1 X
B4	Leg		1 X
C	Seat Frame		1 X
H1	Allen Bolt	 $\phi 5/16'' \times 2-1/2''$	4 X
H2	Allen Bolt	 $\phi 1/4'' \times 1-1/2''$	16 X
H3	Allen Key	 $\phi 5/16''$	1 X
H4	Allen Key	 $\phi 1/4''$	1 X

 **SAFAVIEH**
FURNITURE

Model# FOX6285

Product Dimensions: 32"W*29"D*36-1/2"H

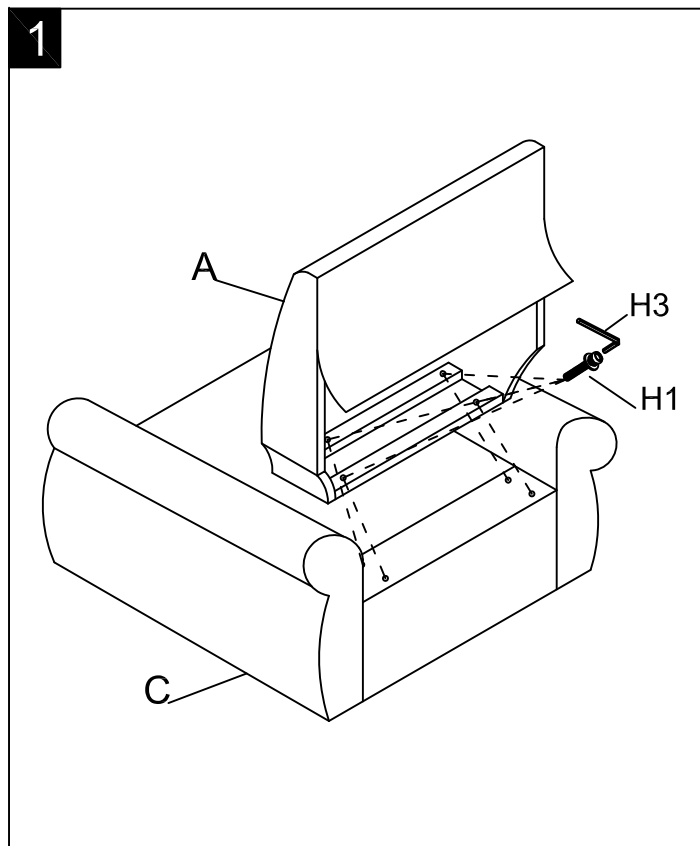


PREPARATION

Before beginning assembly of product, make sure all parts are present. Compare parts with package contents list and hardware contents list. If any part is missing or damaged, do not attempt to assemble the product.

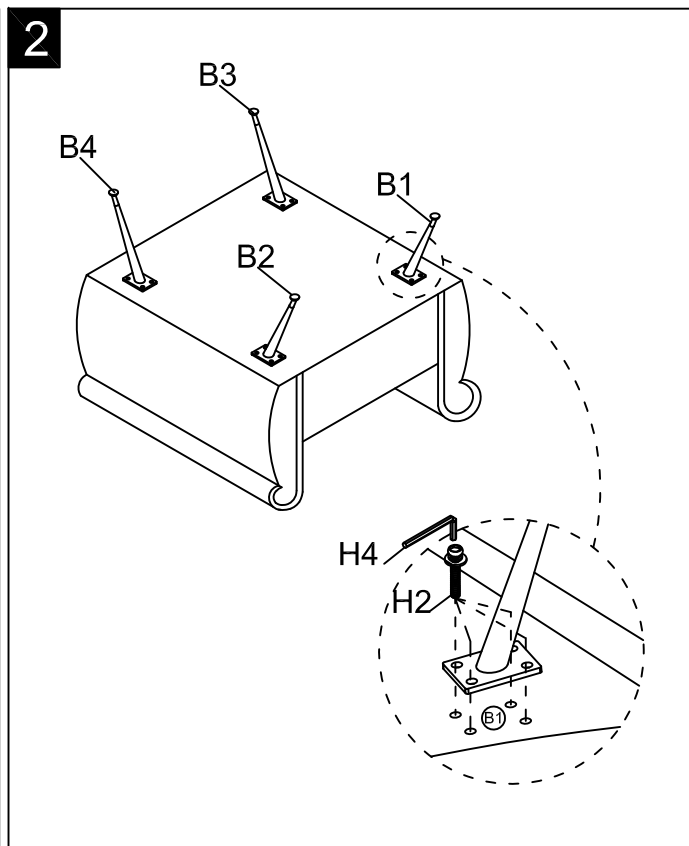
Estimated Assembly Time:10 minutes.

Tools Required for Assembly (included):Allen Key.



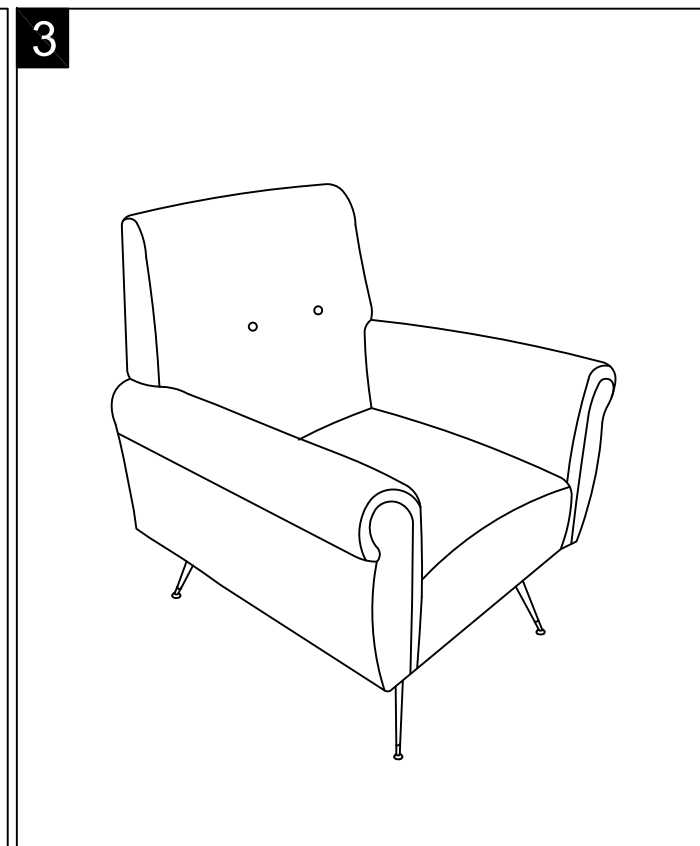
Step 1

Uncover Velcro fabric of chair back (A), Align back of seat frame (C) with the bottom of chair back (A). Using Allen Key (H3) to screw chair back (A) to seat frame (C) with 4*Allen Bolts (H1). Cover the Velcro fabric to side of chair back (A) and press together to close tight.



Step 2

Attach 4 legs (B1/B2/B3/B4) in the corresponding position on the bottom of seat (C) by using Allen key (H4) to lock with 16 Allen bolts (H2) as picture.



Step 3

Assembly completed.