

CARE AND MAINTENANCE

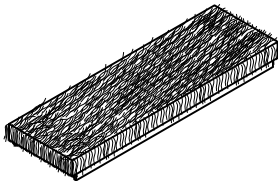
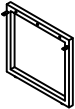




Wipe clean with a soft, dry cloth. Test the cleaning method on a hidden area before using them over the entire area.

NOTICE

- * Please make sure that you have all parts indicated before you begin assembly of this item.
- * This item should be assembled on a soft surface to prevent scratching the finished product during assembly.
- * This item may require periodic tightening.
- * Do not tighten bolts until completely assembled.

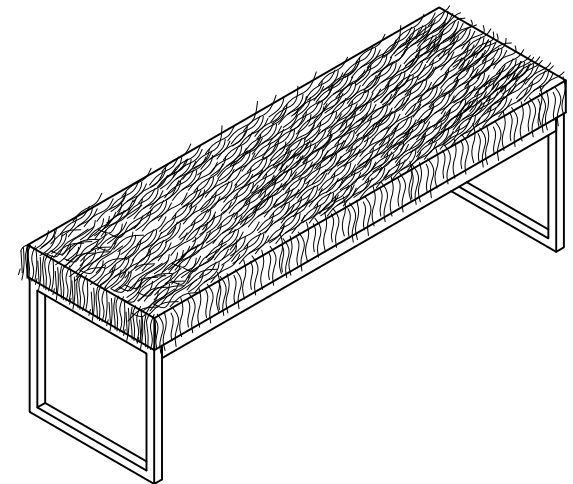
 **SAFAVIEH**
F U R N I T U R E

Part List and Hardware List

PIECE	DESCRIPTION	PICTURE	QUANTITY
A	Seat Cushion		1x
B	Side Frame		2x
H1	Allen Bolt	 1/4"x 1"	6x
H2	Allen Bolt	 1/4"x 5/8"	4x
H3	Flat Washer	 $\phi 16*1.0$	6x
H4	Allen Key	 M4	1x

Model# FOX6280

Product Dimensions: 52"Wx16"Dx19"H

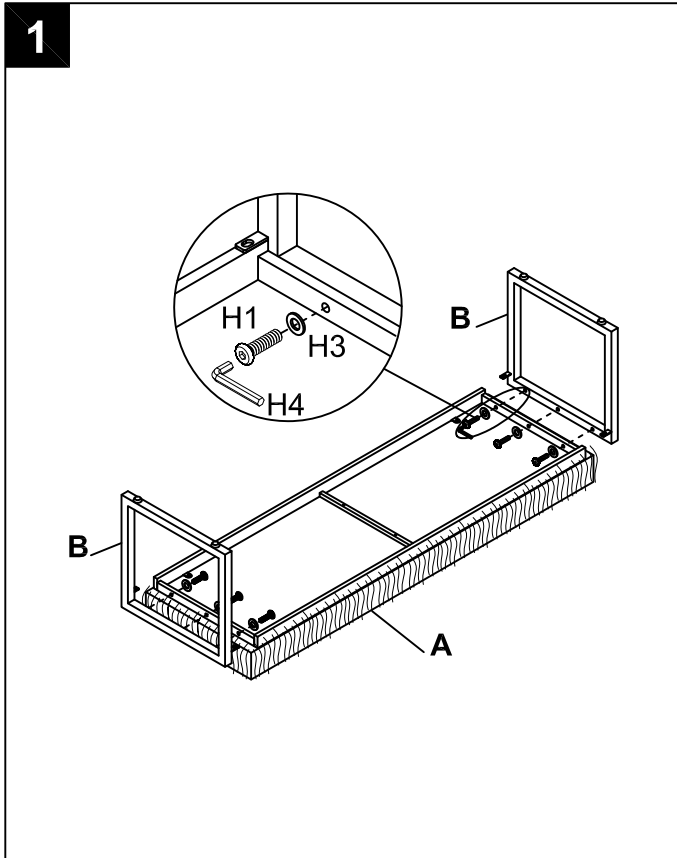


PREPARATION

Before beginning assembly of product, make sure all parts are present. Compare parts with package contents list and hardware contents list. If any part is missing or damaged, do not attempt to assemble the product.

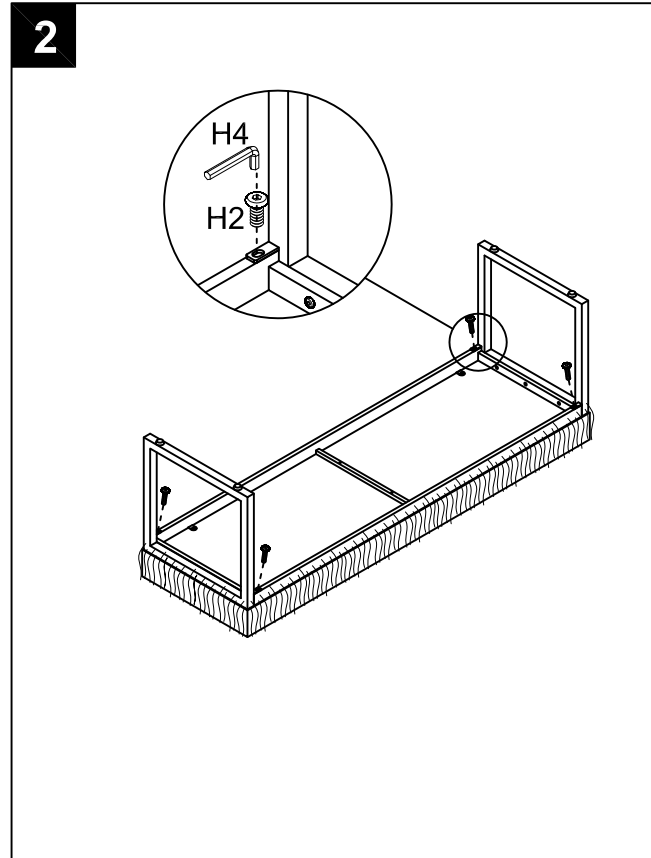
Estimated Assembly Time: 15 minutes.

Tools Required for Assembly (included): Allen Key



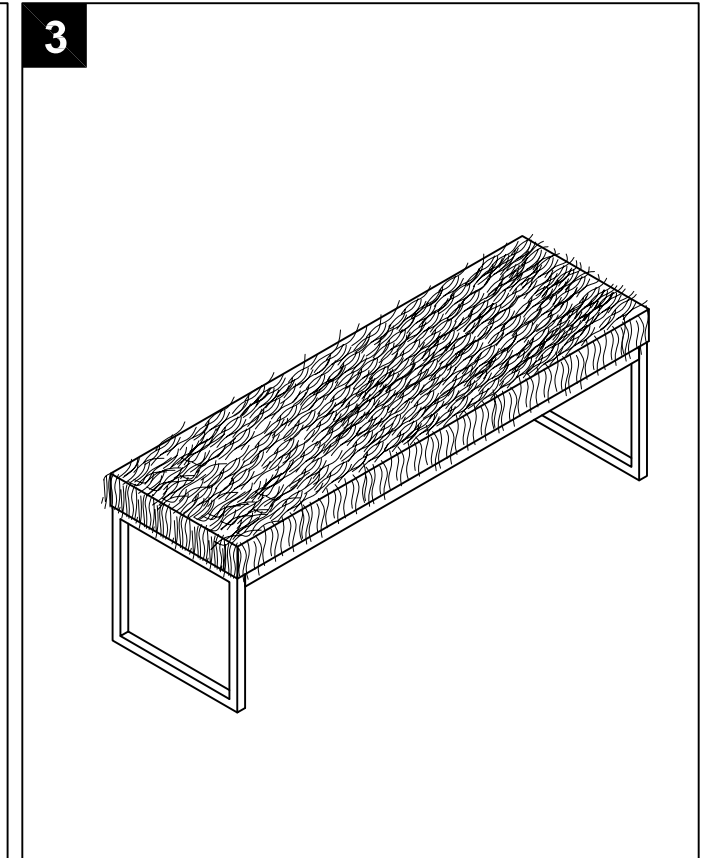
Step 1

Attach 2*Side Frames(B) to the metal frame underneath Seat Cushion (A) by using Allen key (H4) to lock 6*Allen bolts (H1) with 6*Flat Washers (H3), As picture.



Step 2

Using Allen key (H4) to lock 4*Allen bolts (H2) on metal frame.



Step 3

Assembly is completed.