

CARE AND MAINTENANCE

Wipe clean with a soft, dry cloth. The seat board can be cleaned with a mild cleaner. Test the cleaning method on a hidden area before using them over the entire area.

NOTICE

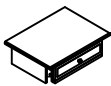

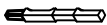


- * Please make sure that you have all parts indicated before you begin assembly of this item.
- * This item should be assembled on a soft surface to prevent scratching the finished product during assembly.
- * This item may require periodic tightening.
- * Do not tighten bolts until completely assembled.

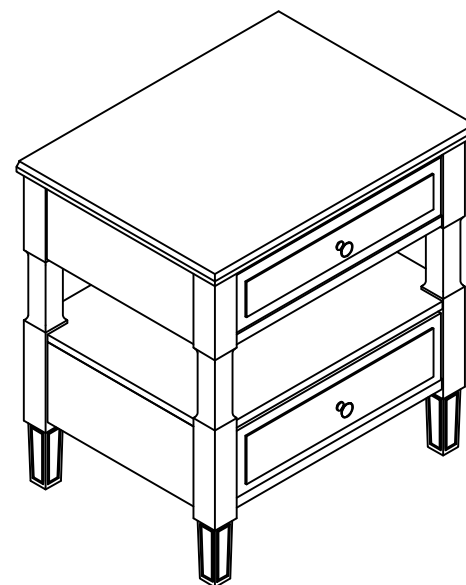
 **SAFAVIEH**
FURNITURE

Model# :FOX6277

Product Dimensions: 24"W*18"D*26"H.

Part List and Hardware List

Piece	Description	Picture	Quantity
A	TOP CABINET		1 X
B	BOTTOM CABINET		1 X
C	LEG		4 X
H1	BOLT 1/4"* 2"		16 X
H2	ALLEN KEY 4mm		1 X

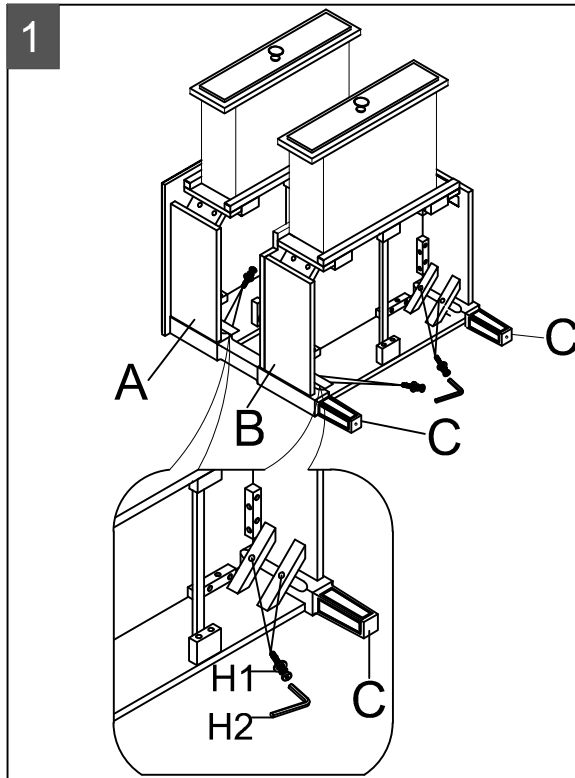


PREPARATION

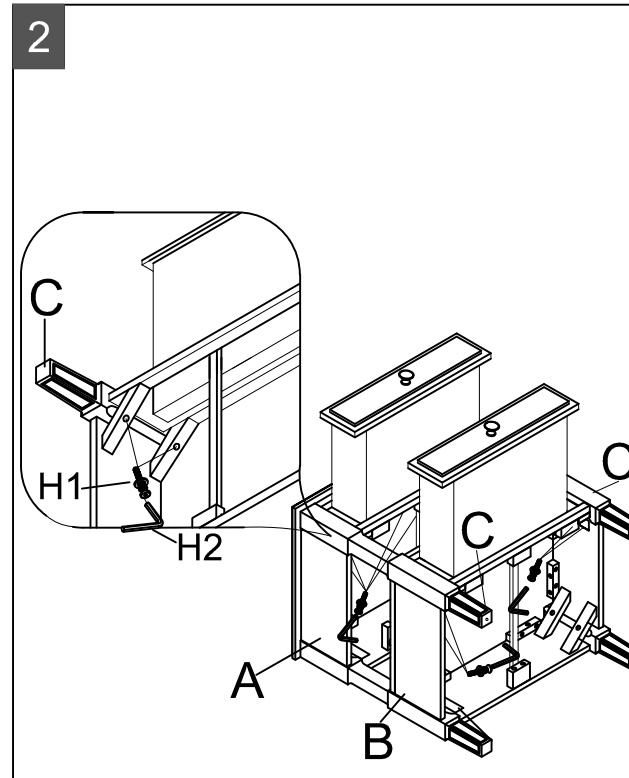
Before beginning assembly of product, make sure all parts are present. Compare parts with package contents list and hardware contents list. If any part is missing or damaged, do not attempt to assemble the product.

Estimated Assembly Time: 15 minutes.

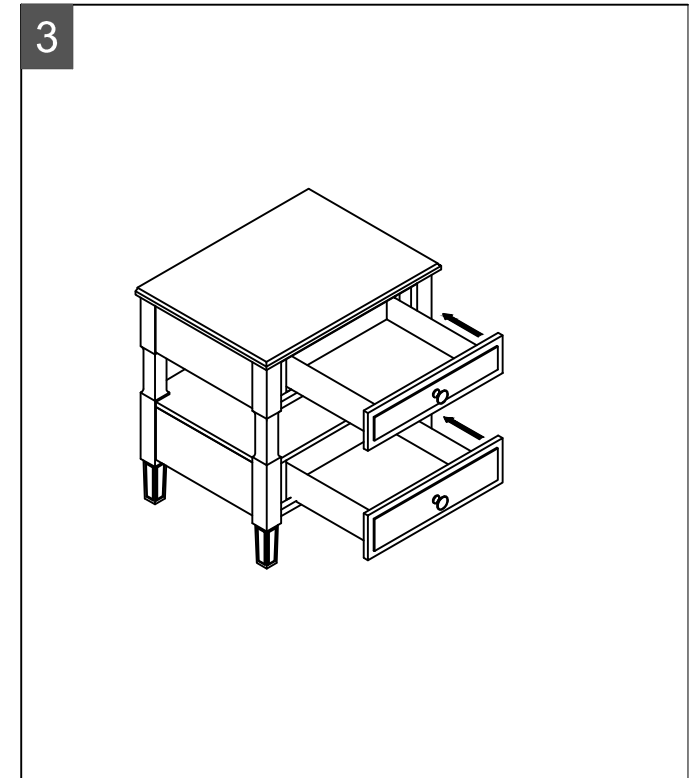
Tools Required for Assembly (included): Allen key.



Step 1.
Gently pull the two drawers out.
Attach 2 legs (C) with top cabinet (A) and bottom cabinet (B). Using Allen key (H2) to lock with 8*bolts (H1) as above picture.



Step 2.
Attach 2 legs (C) with top cabinet (A) and bottom cabinet (B). Using Allen key (H2) to lock with 8*bolts (H1).



Step 3.
Push the drawer close, assembly is completed.