

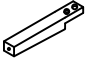









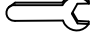
## CARE AND MAINTENANCE

Wipe clean with a soft, dry cloth. The seat board can be cleaned with a mild cleaner. Test the cleaning method on a hidden area before using them over the entire area.

## NOTICE

- \* Please make sure that you have all parts indicated before you begin assembly of this item.
- \* This item should be assembled on a soft surface to prevent scratching the finished product during assembly.
- \* This item may require periodic tightening.
- \* Do not tighten bolts until completely assembled.

## Part List and Hardware List

Piece	Description	Picture	Quantity
A	BACK LEG		2 X
B	FRONT LEG		2 X
C	CHAIR BACK		1 X
D	SEAT FRAME		1 X
E	LEFT SIDE ARMREST		1 X
F	RIGHT SIDE ARMREST		1 X
G	PILLOW		2 X
H1	BOLT	 $\phi_{16}'' * 2\frac{1}{2}''$	16 X
H2	BOLT	 $\phi_{16}'' * 2\frac{1}{4}''$	4 X
H3	BOLT	 $\phi_{16}'' * 1\frac{3}{4}''$	4 X
H4	WRENCH		1 X

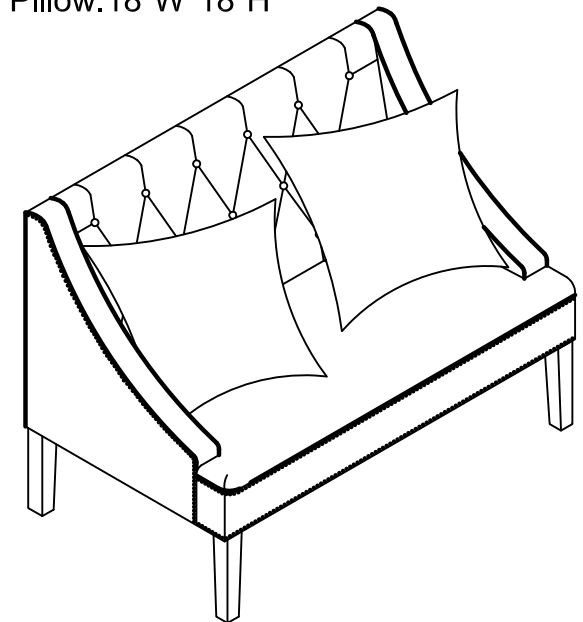
 **SAFAVIEH**  
FURNITURE

Model# FOX6253

Product Dimensions:

Loveseat: 49"W\*28"D\*36"H

Pillow: 18"W\*18"H

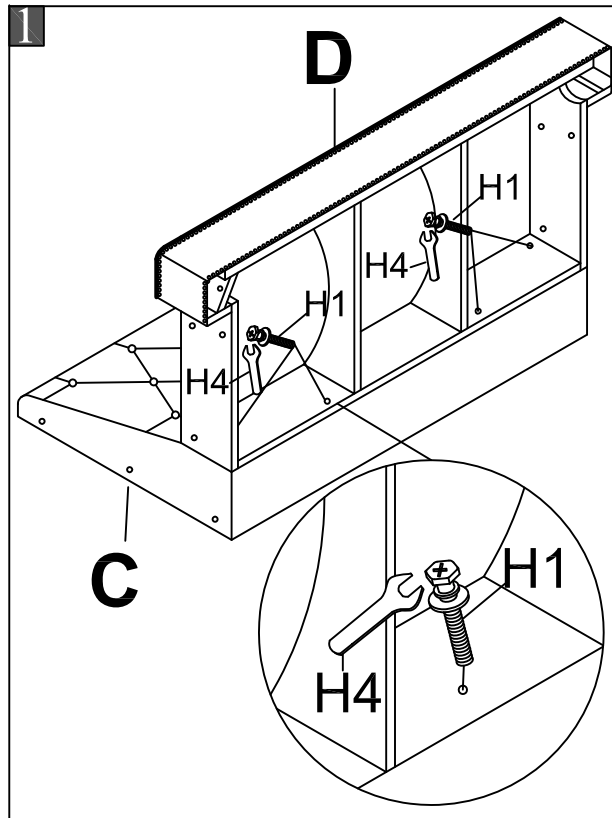


## PREPARATION

Before beginning assembly of product, make sure all parts are present. Compare parts with package contents list and hardware contents list. If any part is missing or damaged, do not attempt to assemble the product.

Estimated Assembly Time:18 minutes.

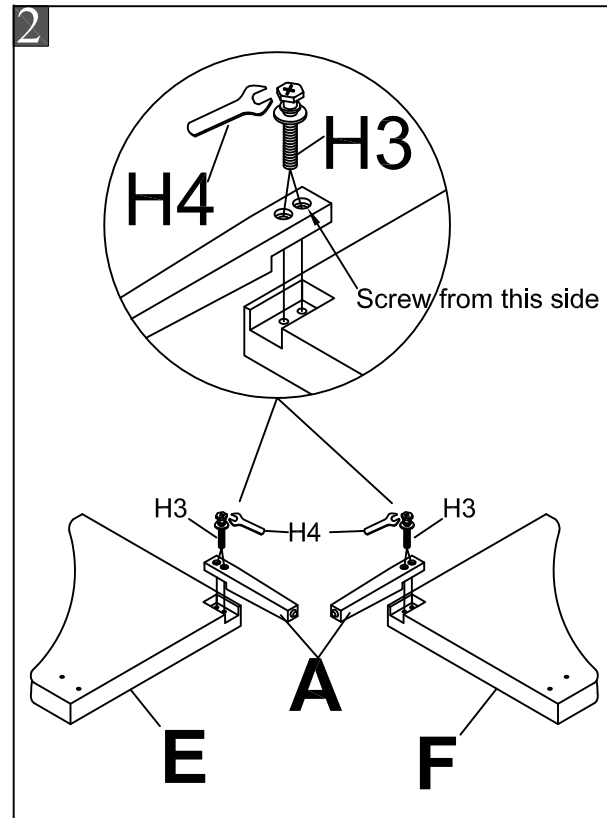
Tools Required for Assembly (included):Wrench.



### Step 1

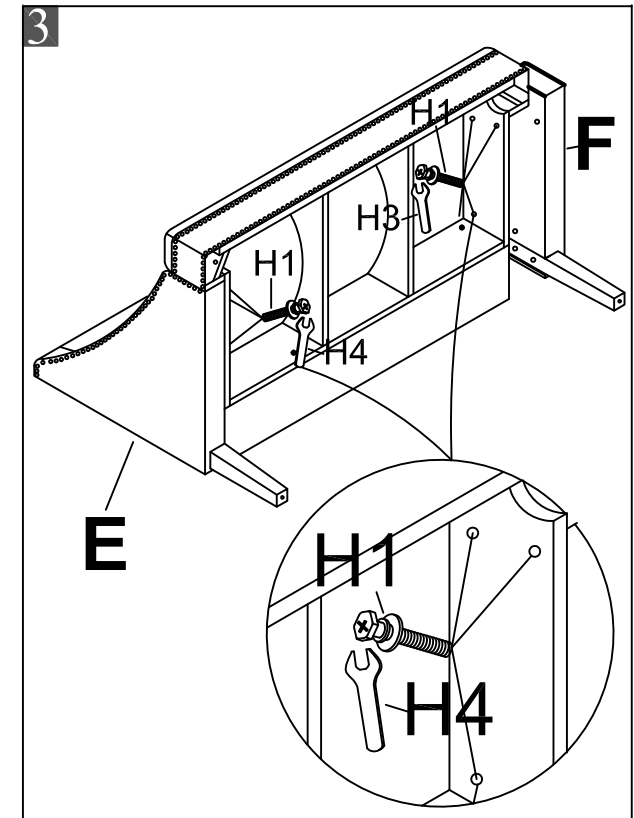
Place the seat frame with the chair back together as picture.

Then use the wrench "H4" to lock 4 bolts "H1".



### Step 2

Assembly 2 back legs to bottom side of the left(E) / right(F) side armrest and use the wrench "H4" to lock 4 bolts "H3".



### Step 3

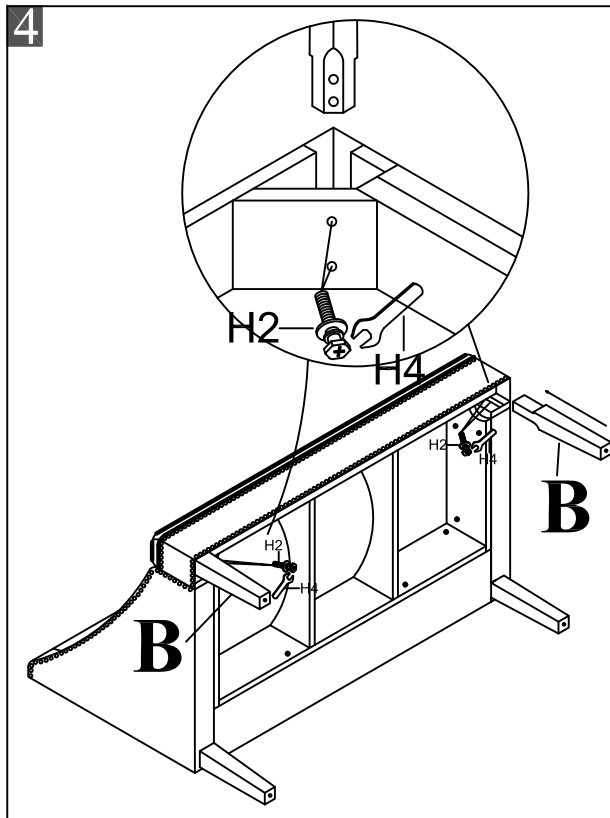
Attach the assembled 2 armrests(Left and Right) with seat frame together, then use the wrench "H4" to lock 6 bolts "H1".

## PREPARATION

Before beginning assembly of product, make sure all parts are present. Compare parts with package contents list and hardware contents list. If any part is missing or damaged, do not attempt to assemble the product.

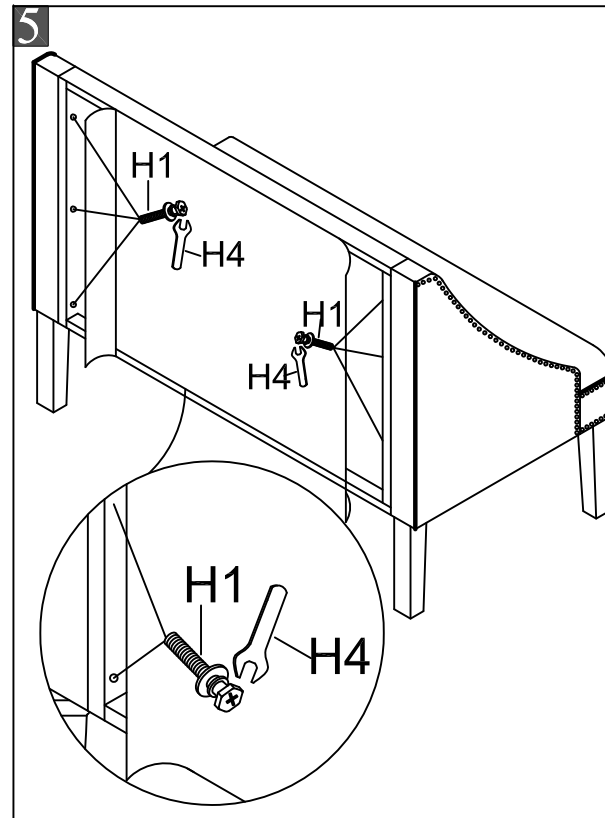
Estimated Assembly Time: 18 minutes.

Tools Required for Assembly (included): Wrench.



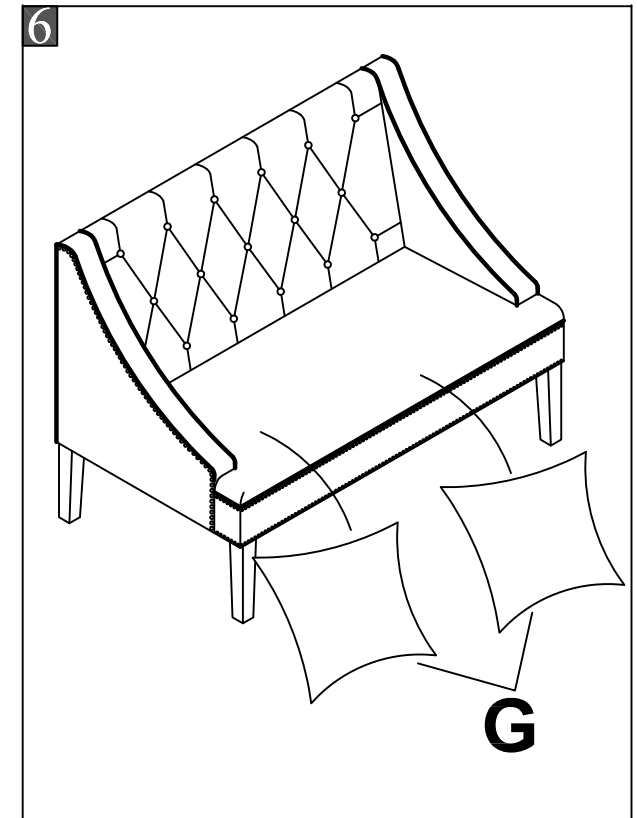
### Step 4

Assembly 2 front legs to bottom side of the seat frame and use the wrench "H4" to lock 4 bolts "H2".



### Step 5

Use wrench "H4" to lock the 6 bolts "H1" into left (E) / right (F) side armrest with the chair back to complete assembly as picture.



### Step 6

Put on the 2 pillows on the seat.