

CARE AND MAINTENANCE

Wipe clean with a soft, dry cloth. Test the cleaning method on a hidden area before using them over the entire area.

NOTICE

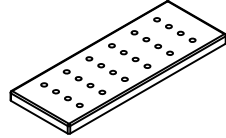
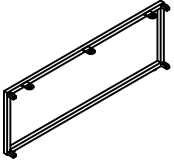
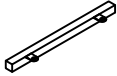




- * Please make sure that you have all parts indicated before you begin assembly of this item.
- * This item should be assembled on a soft surface to prevent scratching the finish during assembly.

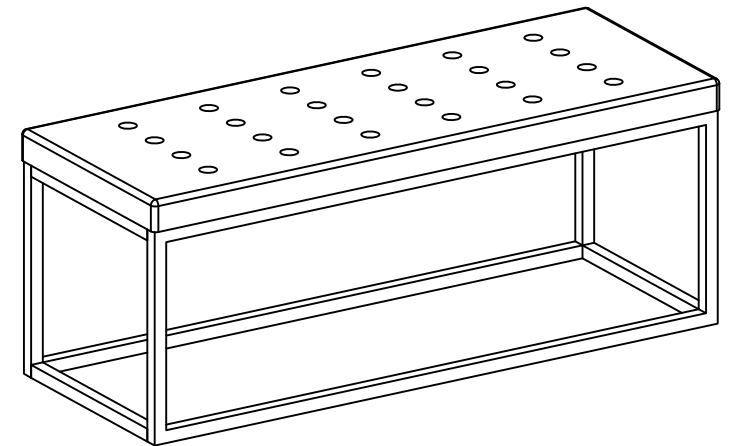
 **SAFAVIEH**
FURNITURE

Model# FOX6225A/B

Product Dimensions: 48"W*18"Dx19"H

Part List and Hardware List

PIECE	DESCRIPTION	PICTURE	QUANTITY
A	Seat cushion		1x
B	Side panel		2x
C	Connecting bar		2x
D	Connecting bar		2x
H1	Allen Bolt	 1/4"x 5/8"	16x
H2	Wood Screw	 $\phi 8^*3/4"$	10x
H3	Allen Key	 M4	1x

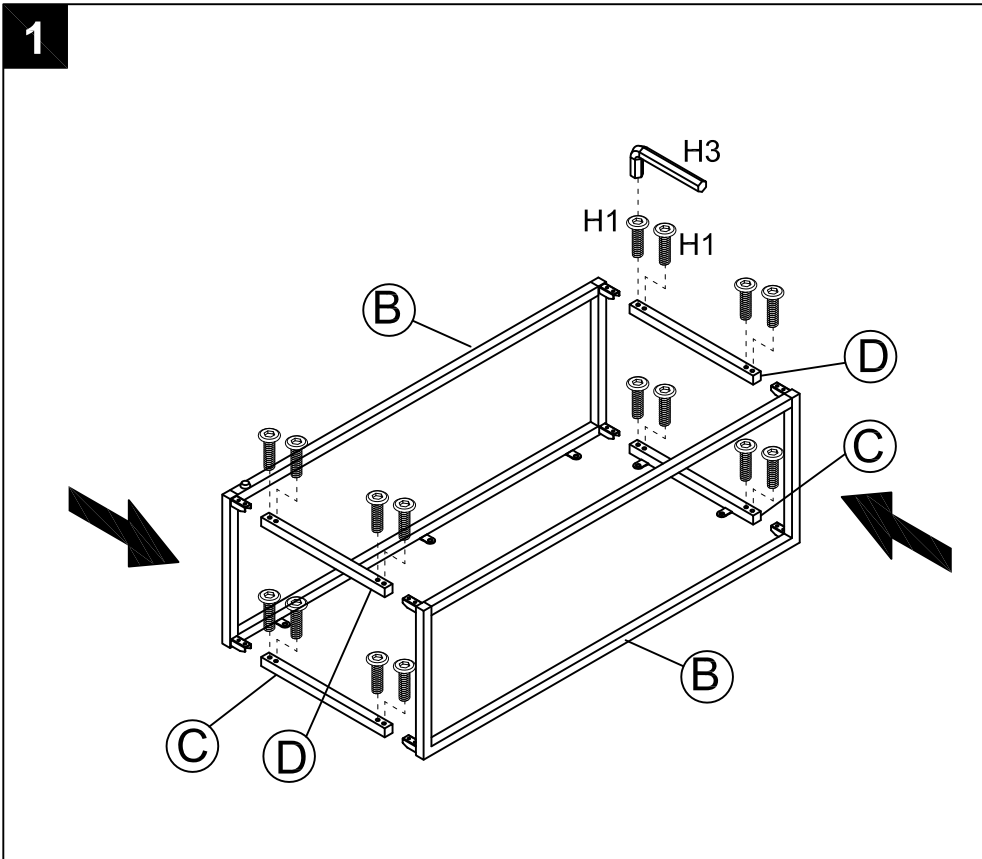


PREPARATION

Before beginning assembly of product, make sure all parts are present. Compare parts with package contents list and hardware contents list. If any part is missing or damaged, do not attempt to assemble the product.

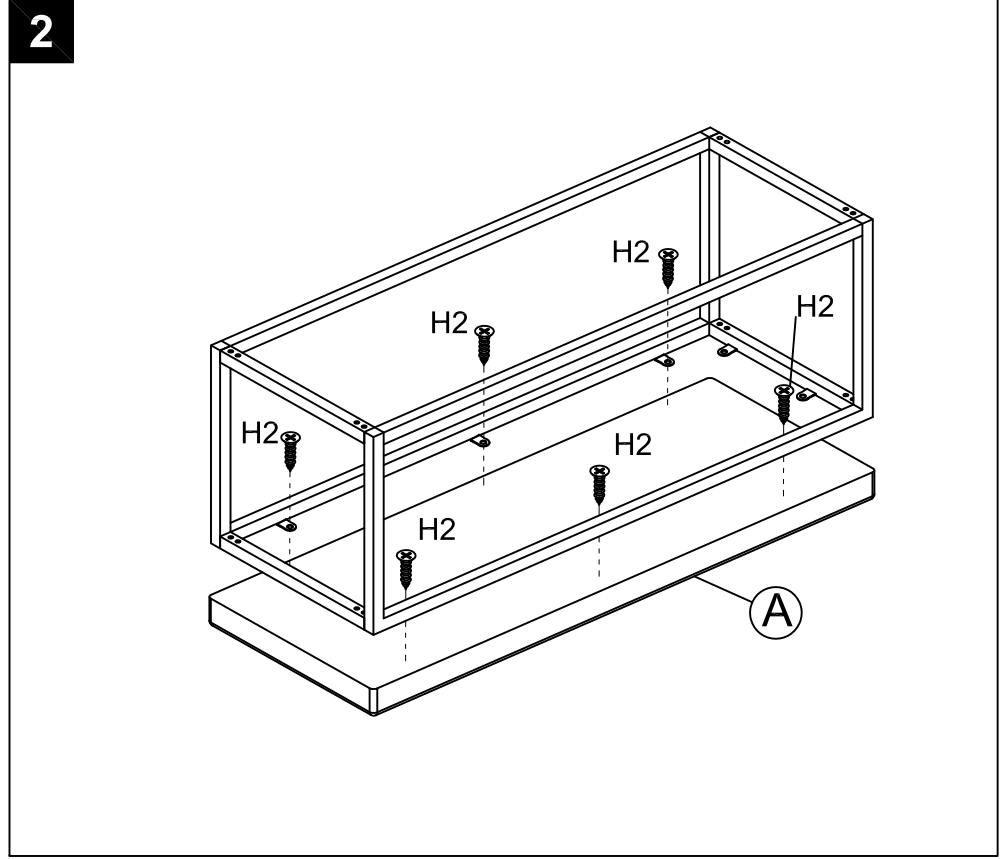
Estimated Assembly Time: 15 minutes.

Tools Required for Assembly (included): Allen Key



Step 1

Attach 4 * Connecting bars (C/D) to the 2 * Side Panels (B). Use Allen key (H3) to lock through holes on connecting bars with Allen Bolts (H1).



Step 2

Use Wood screws (H2) to lock Seat cushion (A) with the assembled base. Assembly is completed.

CARE AND MAINTENANCE

Wipe clean with a soft, dry cloth. Test the cleaning method on a hidden area before using them over the entire area.

NOTICE

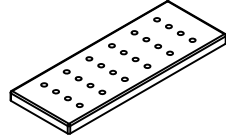
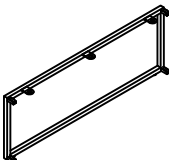
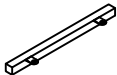




- * Please make sure that you have all parts indicated before you begin assembly of this item.
- * This item should be assembled on a soft surface to prevent scratching the finish during assembly.

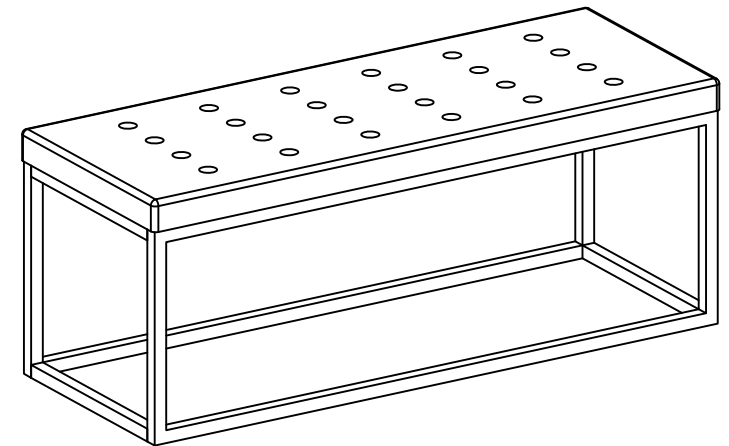
 **SAFAVIEH**
FURNITURE

Model# FOX6225C/D

Product Dimensions: 48"W*18"Dx19-1/2"H

Part List and Hardware List

PIECE	DESCRIPTION	PICTURE	QUANTITY
A	Seat cushion		1x
B	Side panel		2x
C	Connecting bar		2x
D	Connecting bar		2x
H1	Allen Bolt	 1/4"x 5/8"	16x
H2	Wood Screw	 $\phi 8^*3/4"$	10x
H3	Allen Key	 M4	1x

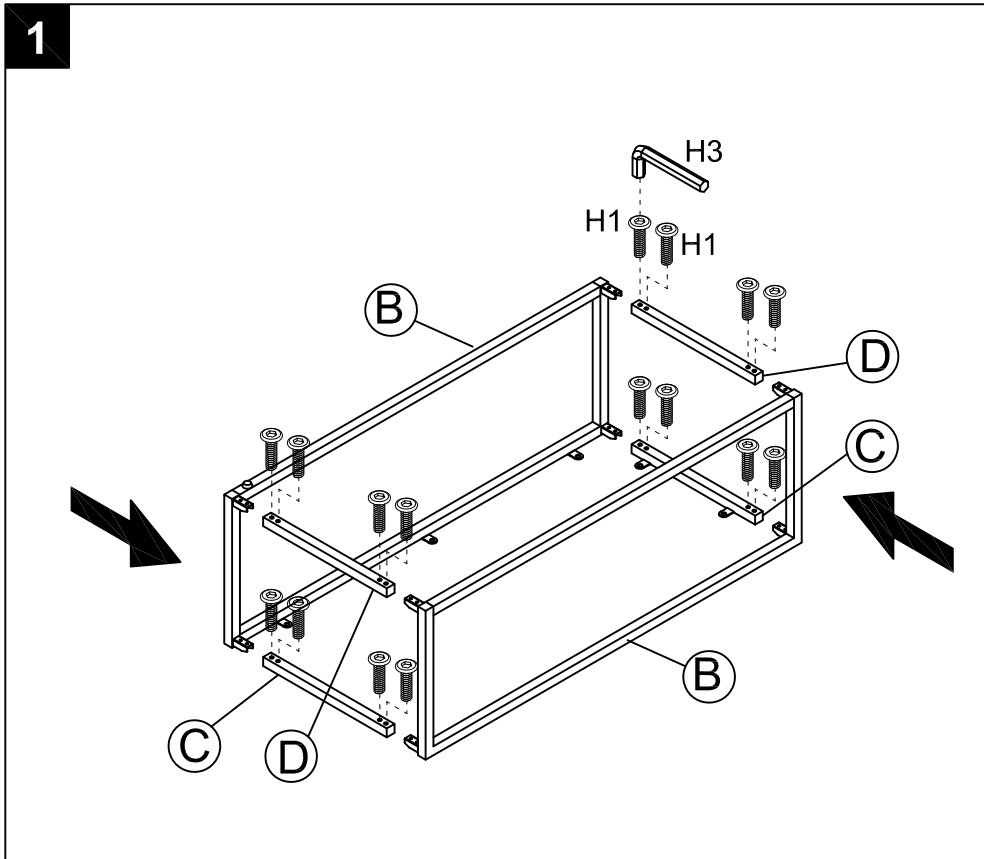


PREPARATION

Before beginning assembly of product, make sure all parts are present. Compare parts with package contents list and hardware contents list. If any part is missing or damaged, do not attempt to assemble the product.

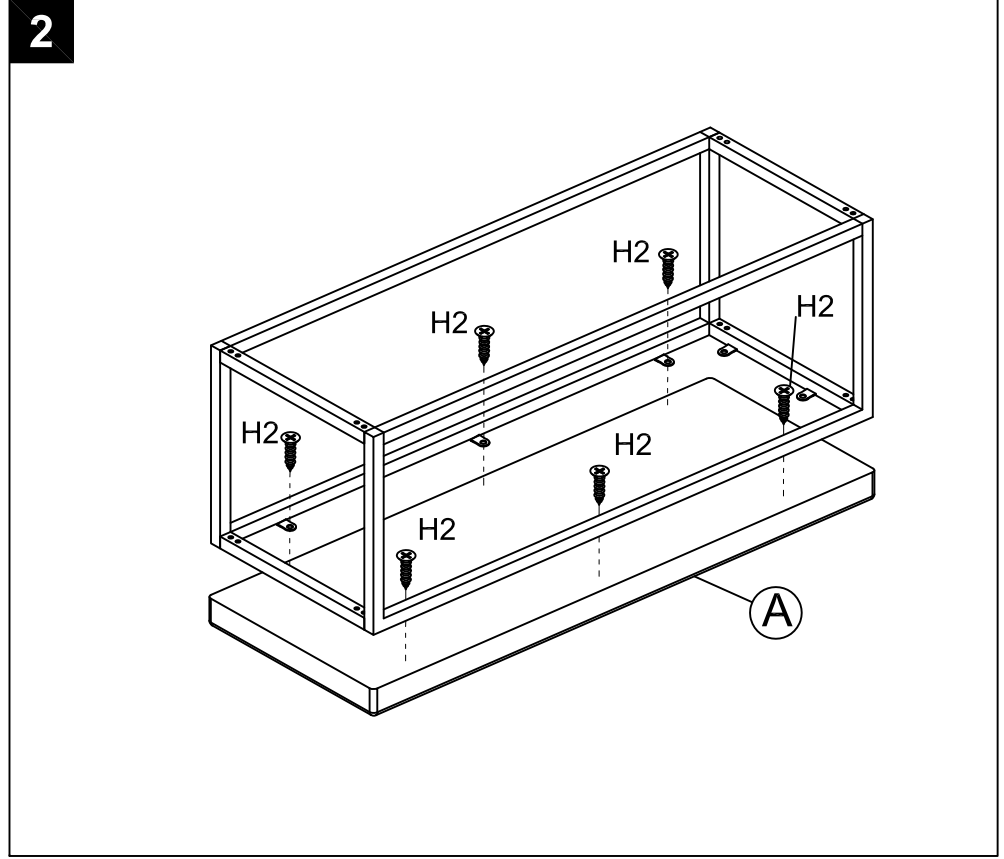
Estimated Assembly Time: 15 minutes.

Tools Required for Assembly (included): Allen Key



Step 1

Attach 4 * Connecting bars (C/D) to the 2 * Side Panels (B). Use Allen key (H3) to lock through holes on connecting bars with Allen Bolts (H1).



Step 2

Use Wood screws (H2) to lock Seat cushion (A) with the assembled base. Assembly is completed.