

CARE AND MAINTENANCE

Wipe clean with a soft, dry cloth. The seat board can be cleaned with a mild cleaner. Test the cleaning method on a hidden area before using them over the entire area .

NOTICE








- * place make sure that you have all parts indicated before you begin assembly of this item
- * This item should be assembled on a soft surface to prevent scratching the finish during assembly
- * This item may require periodic tightening

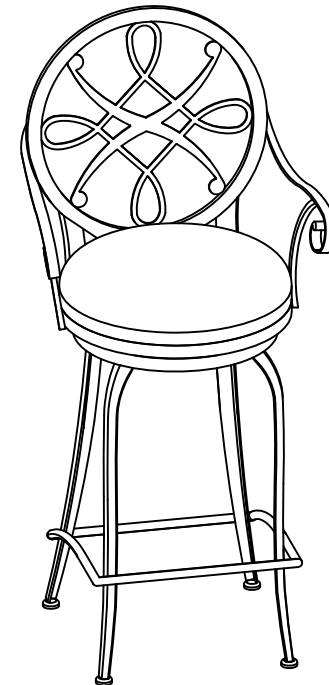
 **SAFAVIEH**
FURNITURE

Model# FOX6200A

Product Dimensions:21-3/4"W* 17"D*47"H

Part List and Hardware List

PIECE	DESCRIPTION	PICTURE	QUANTITY
A	Chair Back		1x
B	Frame		1x
C	Seat Cushion		1x
H1	Swivel		1x
H2	Allen Bolt		8x
H3	Wood Screw		4x
H4	Allen key		1x

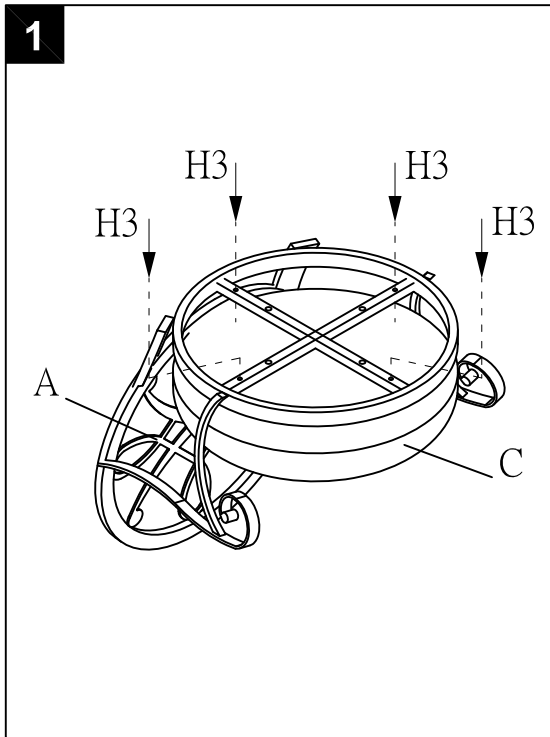


PREPARATION

Before beginning assembly of product, make sure all parts are present. Compare parts with package contents list and hardware contents list. If any part is missing or damaged, do not attempt to assemble the product.

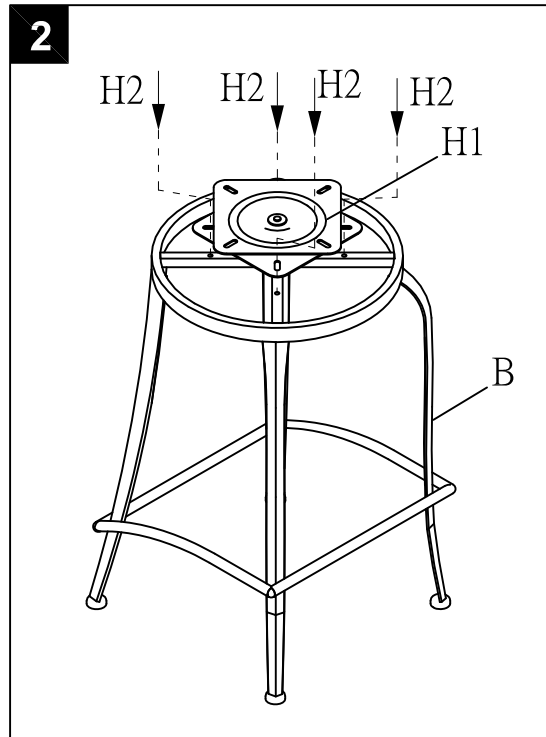
Estimated Assembly Time: 10 minutes.

Tools Required for Assembly (included): Allen Key



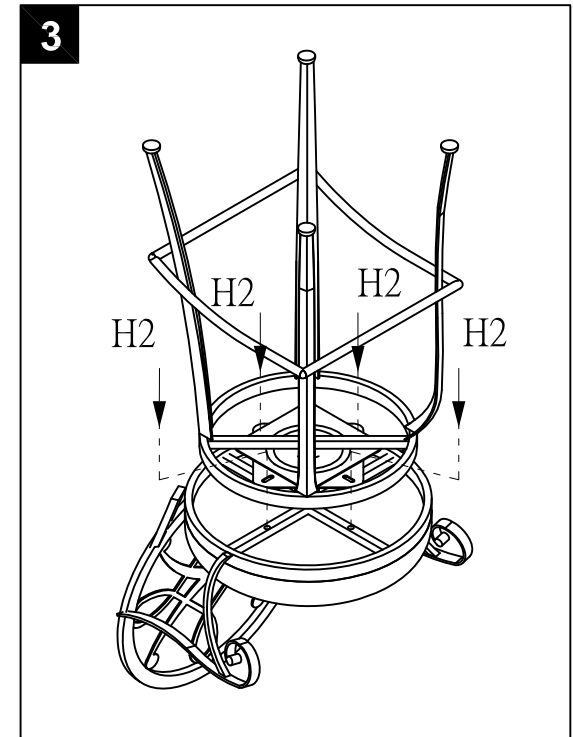
Step 1

Place the seat cushion with the chair back together as pictured. Then use the Phillips-head screwdriver to Lock 4 wood screws "H3"



Step 2

Place the swivel "H1" with the frame together as pictured. Then use the allen key "H4" to Lock 4 allen bolts "H2"



Step 3

Place the chair back with the frame together as pictured. Then use the allen key "H4" to Lock 4 allen bolts "H2"