




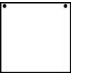
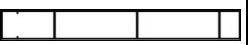





CARE AND MAINTENANCE

Always use felt pads under all articles to prevent discoloration or softening of the lacquer. Plastic and rubber bases on items can discolor wood. Wipe up spills immediately and avoid common hazards such as hot dishes, harsh solvents and abrasives. Cleaning should be done with a soft lint free cotton cloth dampened with water or furniture polish. On highly used surfaces we recommend applying a quality paste wax which should be used on a regular basis to provide additional protection from scratches and spills. How often you apply the wax depends on how much wear the furniture receives.

NOTICE

- * Please make sure that you have all parts indicated before you begin assembly of this item
- * This item should be assembled on a soft surface to prevent scratching the finish during assembly
- * This item may require periodic tightening

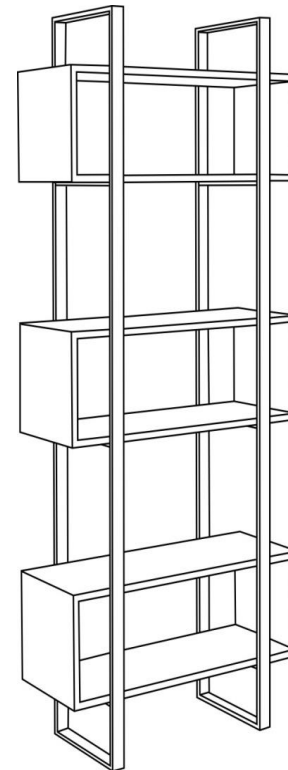
Part List and Hardware List

A	Panel		3X
B1	Panel		2X
B2	Panel		1X
C	Panel		6X
D	Metal frame		2X
H1	Allen bolt L	 M6X30mm	12X
H2	Allen bolt M	 M6X20mm	12X
H3	Allen bolt S	 M6X15mm	4X
H4	Screw		12X
H5	Allen key		1X

 **SAFAVIEH**
FURNITURE

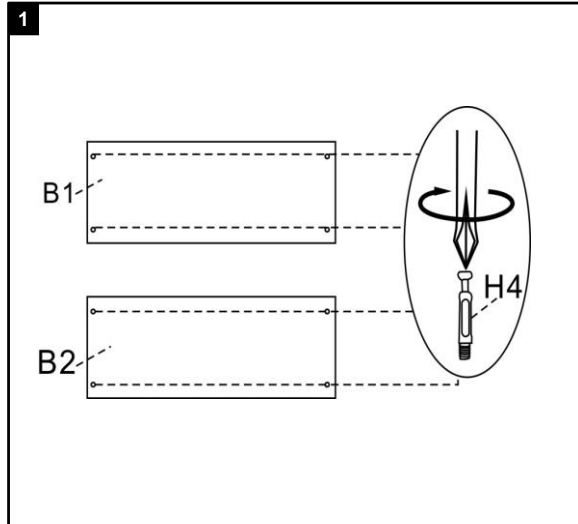
Model# FOX4278

Product Dimensions: 31-1/2"W X 12-3/5"D X 78-3/4"H

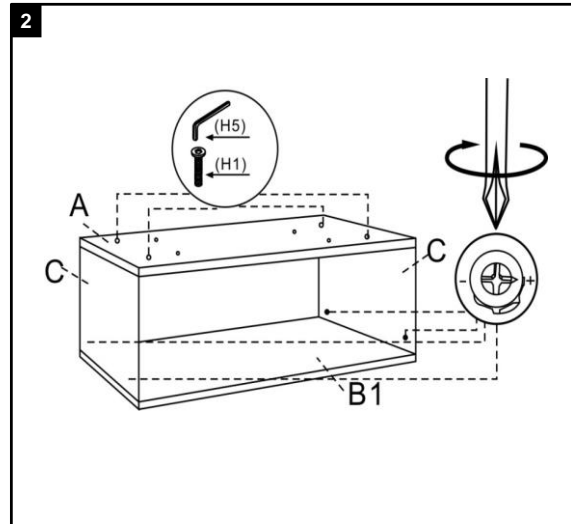


PREPARATION

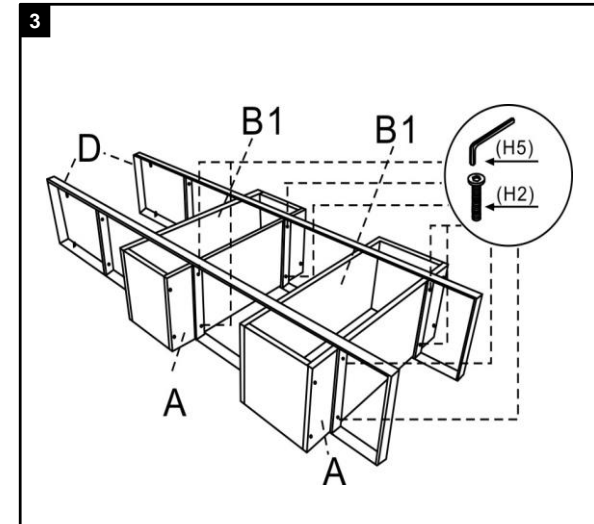
Before beginning assembly of product, make sure all parts are present. Compare parts with package contents list and hardware contents list.



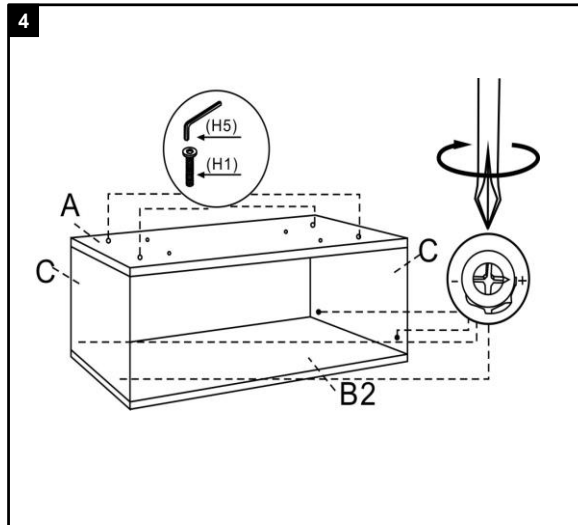
Step 1
Attach the Screw(H4) to Panel(B1), Panel(B2)
Tighten with philips driver



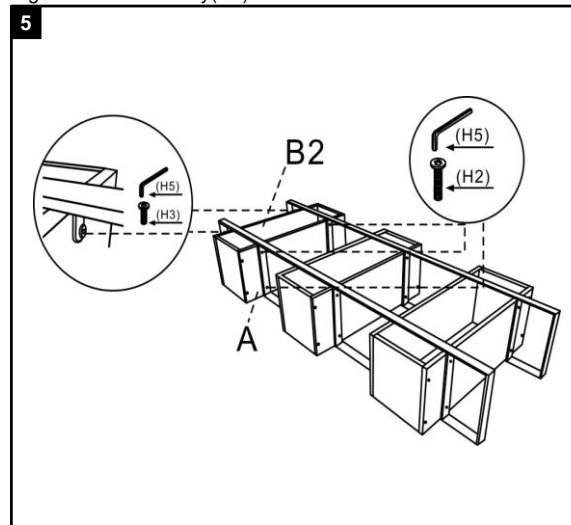
Step 2
Attach Panel(C) to Panel(B1), tighten with philips driver.
Attach the Panel(A)to Panel(C), using Allen bolt(H1)
Tighten with Allen Key(H5)



Step 3
Attach the Metal Frame(D) to Panel(B1), using Allen bolt(H2)
Tighten with Allen Key(H5)



Step 4
Attach the Panel(C) to the Panel(B2), tighten with philips driver.
Attach the Panel(A)to Panel(C), using Allen bolt(H1)
Tighten with Allen Key(H5)



Step 5
Attach Metal Frame(D)to Panel(A), Panel(B2), using Allen bolt(H2,H3)
Tighten with Allen Key(H5)