

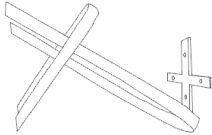





## Care and Maintenance

Blot up spills immediately, use coasters on table tops under beverages. Use trivets or mats under hot dishes or cookware. Clean with warm water and dry surface immediately after cleaning. Do not use cleaners that contain acid such as bathroom cleaners, grout cleaner, and tile cleaners. Do not use abrasive cleaners in either dry or liquid forms. Use a cleaner and polish formulated for marble

## Notice

- \* Please make sure that you have all parts indicated before you begin assembly of this item
- \* This item should be assembled on a soft surface to prevent scratching the finish during assembly
- \* This item may require periodic tightening

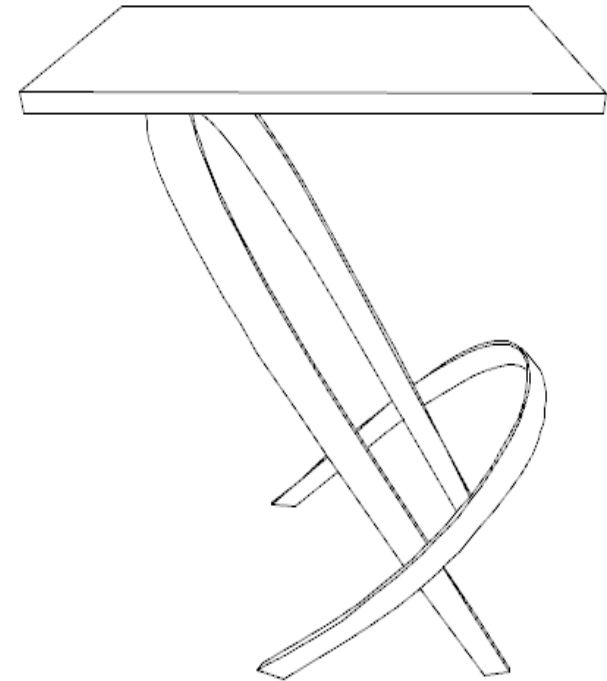
## Part List and Hardware List

Piece	Description	Picture	Quantity
A	Frame		1 X
B	Marble		1 X
C	Felt pad		4X
D	Log Screws		2X(17mm)
D-1	Short Screws		2X(12mm)
E	Clear washer		12X

 **SAFAVIEH**  
FURNITURE

Model # FOX2597

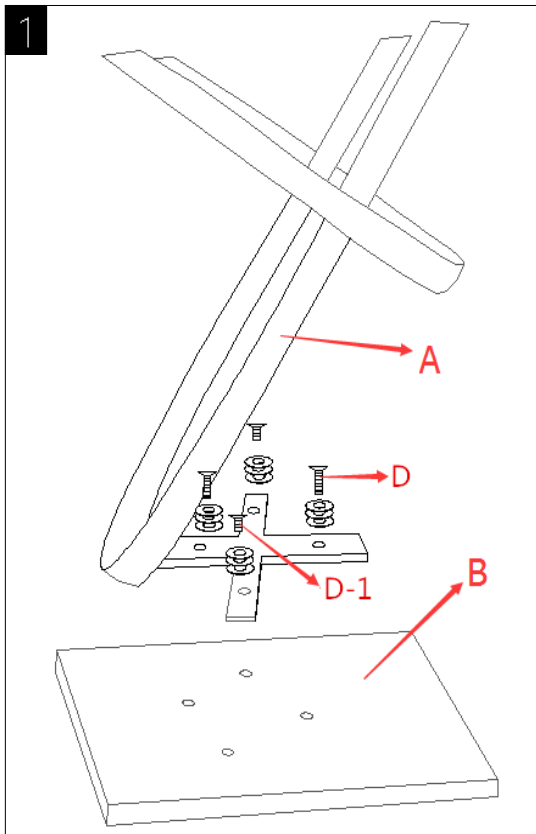
Product Dimensions: 21.5"W x 15.75"D x 23.5"H



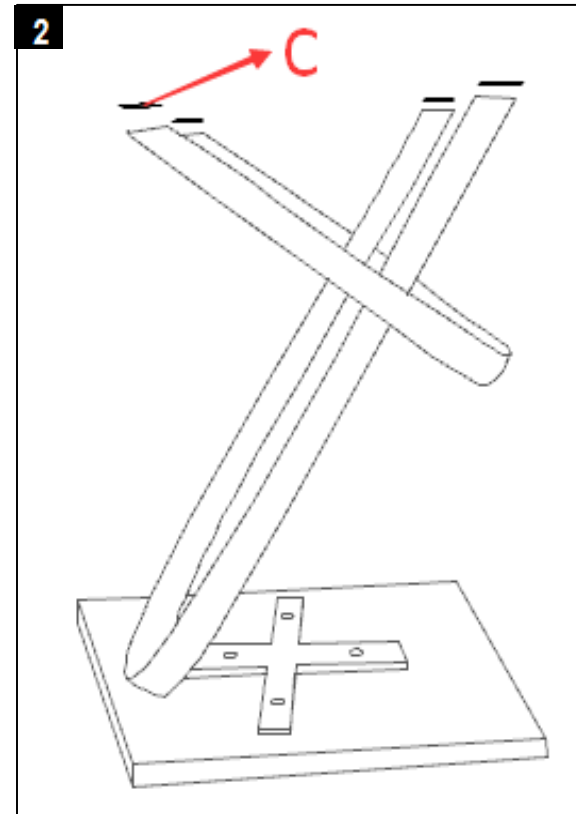


## Preparation

Before beginning assembly of product, make sure all parts are present. Compare parts with package contents list and hardware contents list. If any part is missing or damaged, do not attempt to assemble the product. Estimated Assembly Time: 10 minutes.



Step 1  
Assemble the Frame(A) and Marble(B) together using 4 Screws and 12 Clear washers.



Step 2  
Stick the Felt pad (C) on the bottom of 4 feet .