

**Care and Maintenance**

Dust with a soft, dry cloth. Do not use abrasive cleaner. To clean mirror, spray a small amount of glass cleaner onto a lint-free cloth and wipe mirror clean.

**Notice**

- \* Please make sure that you have all parts indicated before you begin assembly of this item
- \* This item should be assembled on a soft surface to prevent scratching the finish during assembly
- \* This item may require periodic tightening

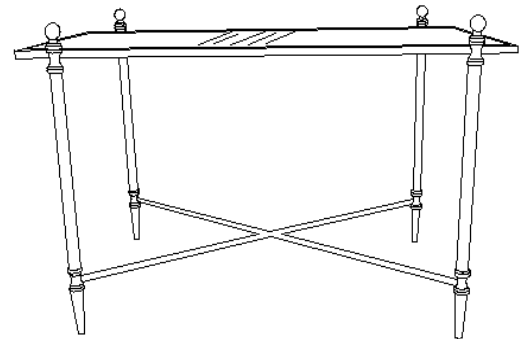


Model # FOX2569A

Product Dimensions: 31.5"W x 15"D x 20"H

**Part List and Hardware List**

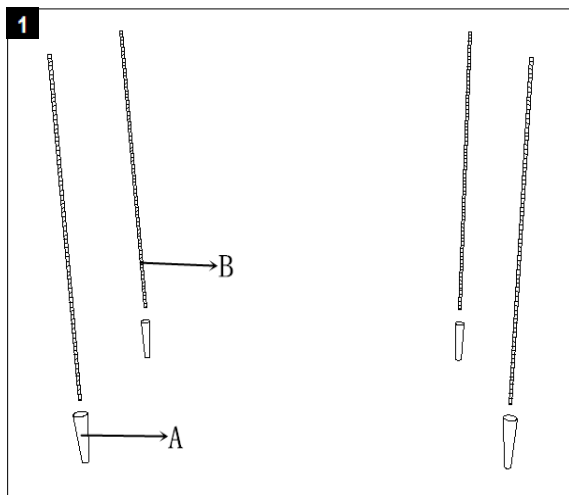
Piece	Description	Picture	Quantity
A	feet		4X
B	thread rod		4X
C	stretcher		1X
D	legs		4X
E	top shelf		1X
F	finial		4 X
G	mirror		1X



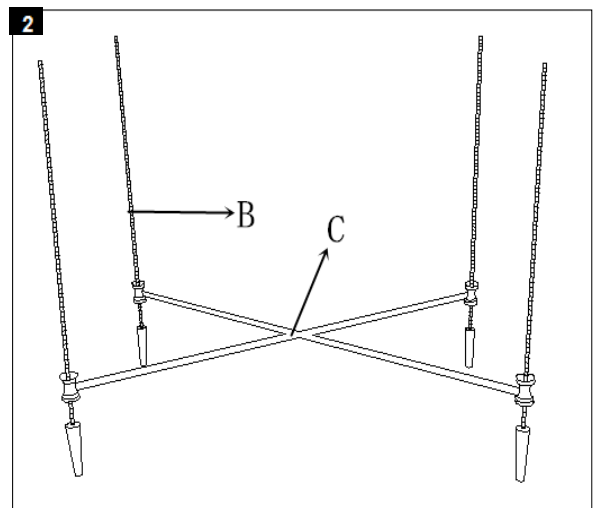
**Preparation**

Before beginning assembly of product, make sure all parts are present. Compare parts with package contents list and hardware contents list. If any part is missing or damaged, do not attempt to assemble the product.

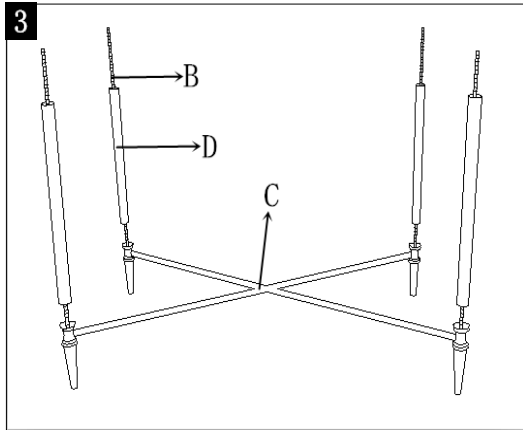
Estimated Assembly Time: 10 minutes.



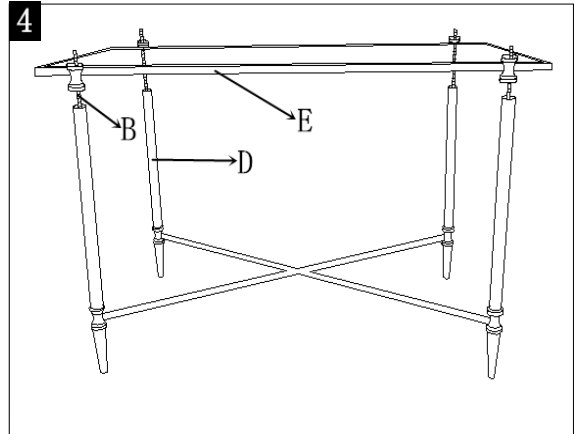
**Step 1**  
Assemble the thread rod(B) to feet(A) .



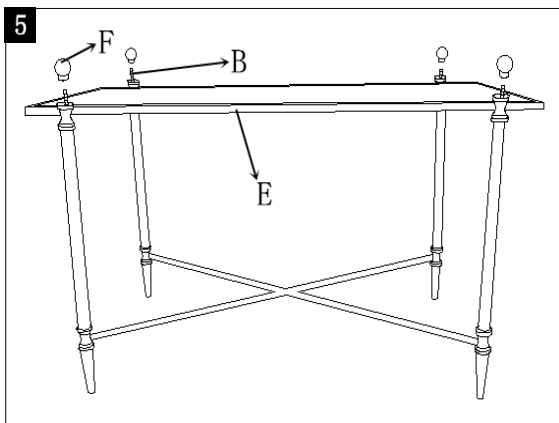
**Step 2**  
Assemble the stretcher(C) feet (A) together using thread rod(B) .



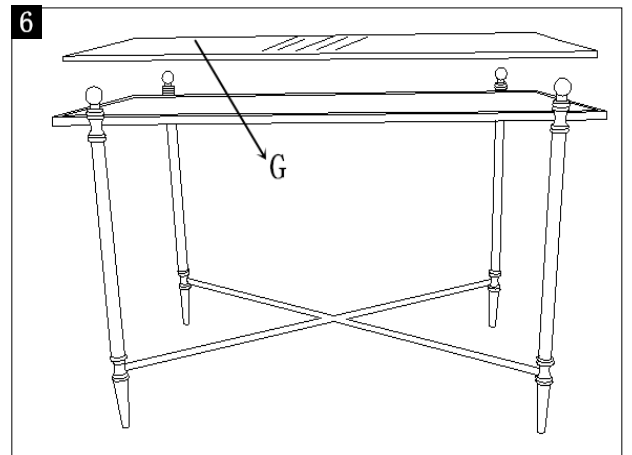
**Step 3**  
 Assemble the stretcher(C) legs (D) together using thread rod(B) .



**Step 4**  
 Assemble the legs (D) top shelf (E) together using thread rod(B) .



**Step 5**  
 Assemble the top shelf (E) finial (F) together using thread rod(B) .



**Step 6**  
 Carefully place the Mirror ( G)