

Care and Maintenance

Dust with a soft, dry cloth. Do not use abrasive cleaner. To clean mirror, spray a small amount of glass cleaner onto a lint-free cloth and wipe mirror clean.






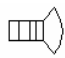
Notice

* Please make sure that you have all parts indicated before you begin assembly of this item

* This item should be assembled on a soft surface to prevent scratching the finish during assembly

* This item may require periodic tightening

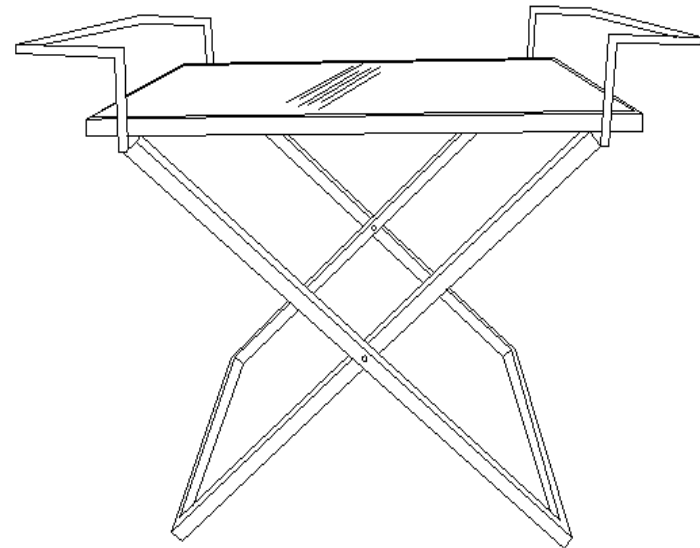
Part List and Hardware List

Piece	Description	Picture	Quantity
A	Small side leg		1X
B	Big side leg		1X
C	Top shelf		1X
D	Top glass		1X
E	Long screws		2X
F	Screws		4X

 **SAFAVIEH**
FURNITURE

Model # FOX2559A

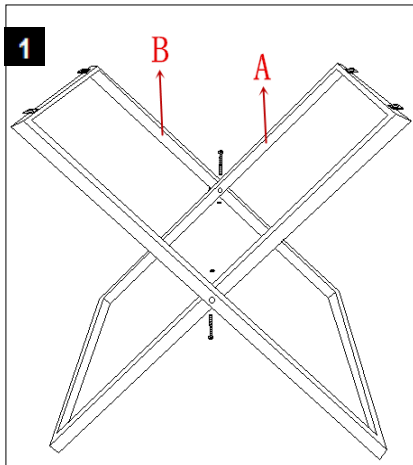
Product Dimensions: 28.5" W X 19" D X 23.5"H



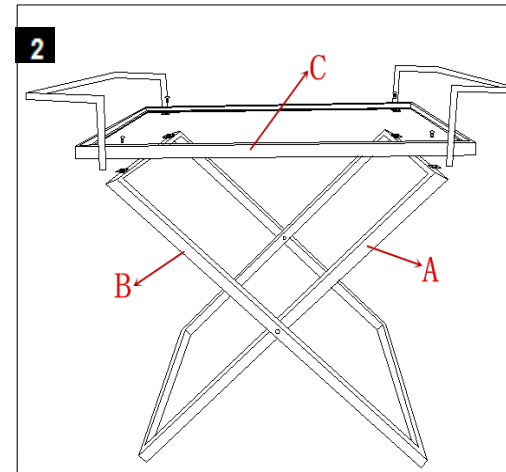
Preparation

Before beginning assembly of product, make sure all parts are present. Compare parts with package contents list and hardware contents list. If any part is missing or damaged, do not attempt to assemble the product.

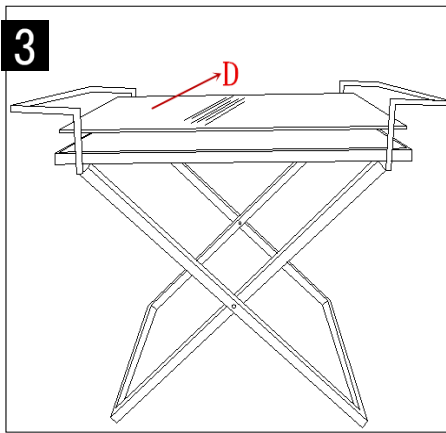
Estimated Assembly Time: 10 minutes.



Step 1
Assemble the Small side leg (A) Big side leg (B) together using 2 Long screws(E).



Step 2
Assemble the Top shelf (C) to Big side leg (B) and Small side leg (A) together using 4 screws (F).



Step 3
Carefully place the Top glass (D) .