

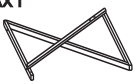
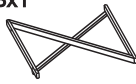













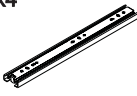















## CARE AND MAINTENANCE

Always use felt pads under all articles to prevent discoloration or softening of the lacquer. Plastic and rubber bases on items can discolor wood. Wipe up spills immediately and avoid common hazards such as hot dishes, harsh solvents and abrasives. Cleaning should be done with a soft lint free cotton cloth dampened with water or furniture polish. On highly used surfaces we recommend applying a quality paste wax which should be used on a regular basis to provide additional protection from scratches and spills. How often you apply the wax depends on how much wear the furniture receives.

## NOTICE

- \* Please make sure that you have all parts indicated before you begin assembly of this item
- \* This item should be assembled on a soft surface to prevent scratching the finish during assembly
- \* This item may require periodic tightening

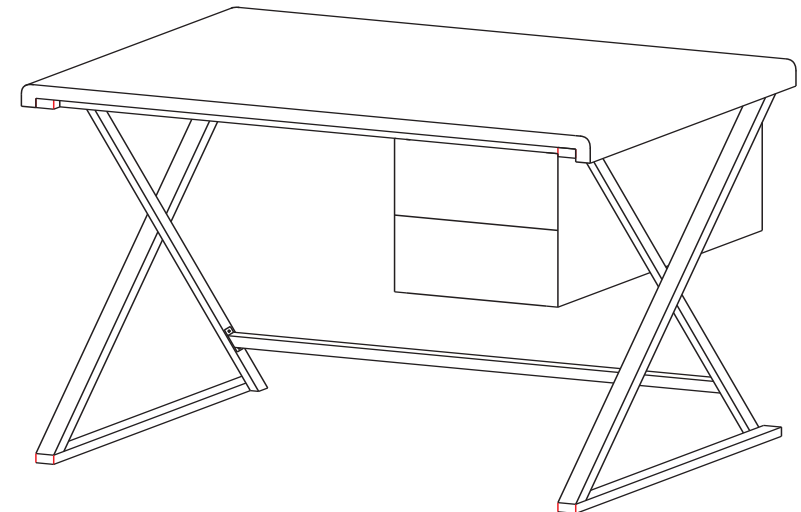
## Part List and Hardware List

Ax1 	Bx1 	Cx2 	Dx1 	Ex1 	Fx1 
Gx1 	Hx1 	Ix1 	Jx1 	Kx2 	Lx2 
Mx2 	Nx2 	Ox2 	Px4 	Qx20 	Rx20 
Sx8 	Tx4 	Ux2 	Vx4 	Wx6  6x28mm	Xx4  6x12mm
Yx4  6x60mm	Zx4  6x25mm	A1x16  3.5x14mm	B1x2  6x40mm	C1x8  4x35mm	D1x2  6x25mm
E1x2 					

 **SAFAVIEH**  
FURNITURE

Model# FOX2205A

Product Dimensions: 47.2"×21.6"×29.5"



## PREPARATION

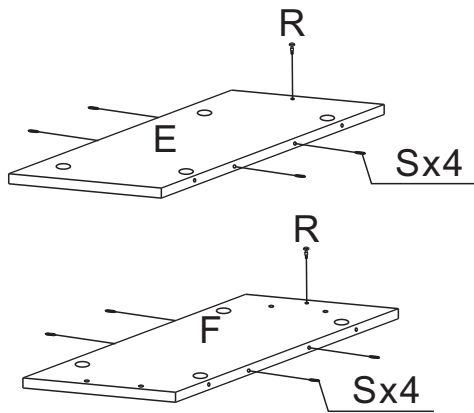
Before beginning assembly of product, make sure all parts are present. Compare parts with package contents list and hardware contents list.

If any part is missing or damaged, do not attempt to assemble the product.

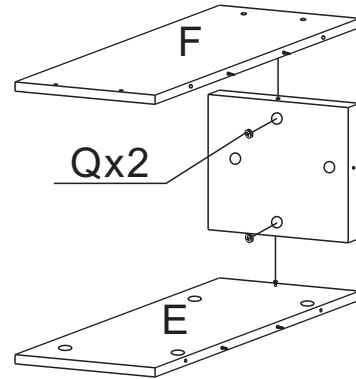
Estimated Assembly Time: 60 minutes.

Tools Required for Assembly (included): Spanner

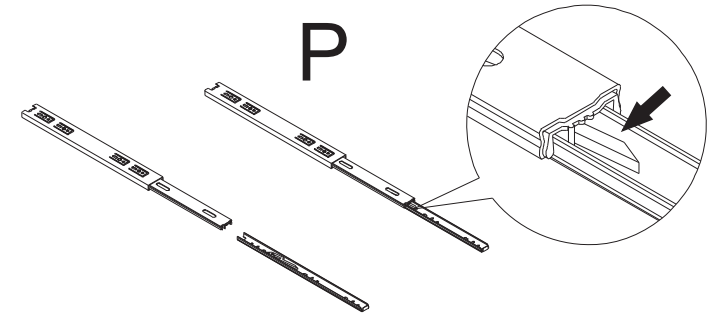
1



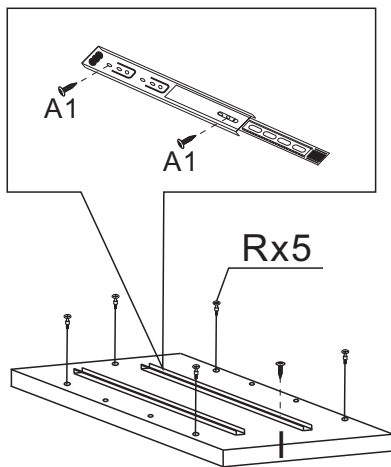
2



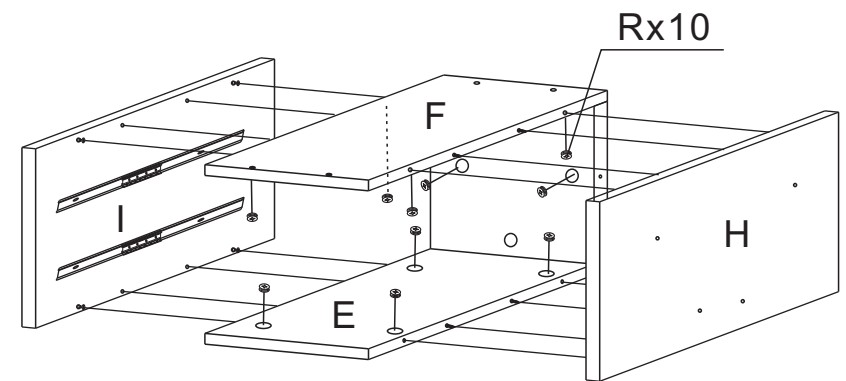
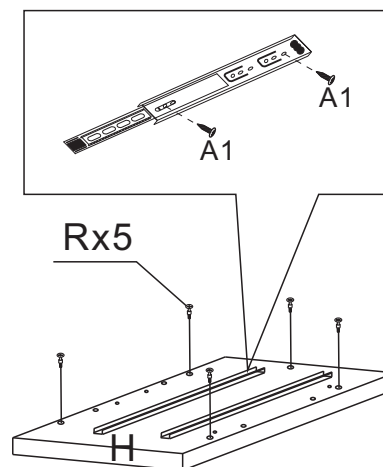
3



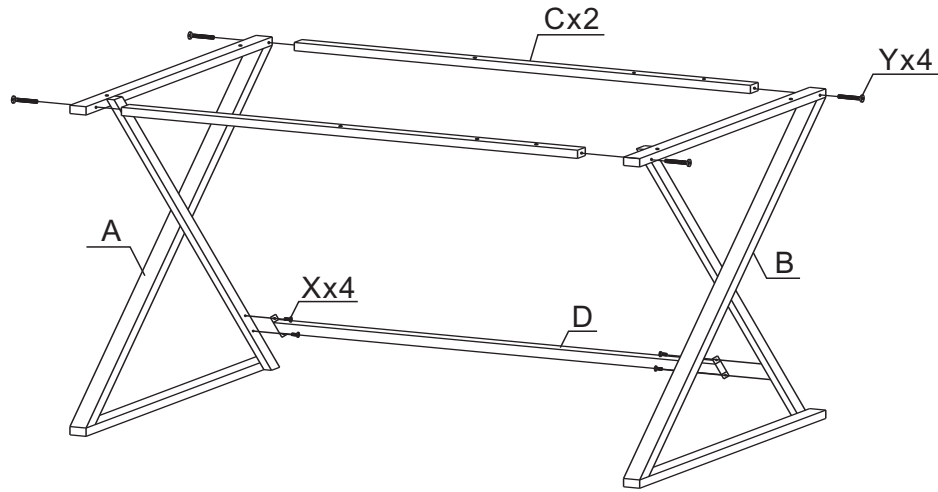
4



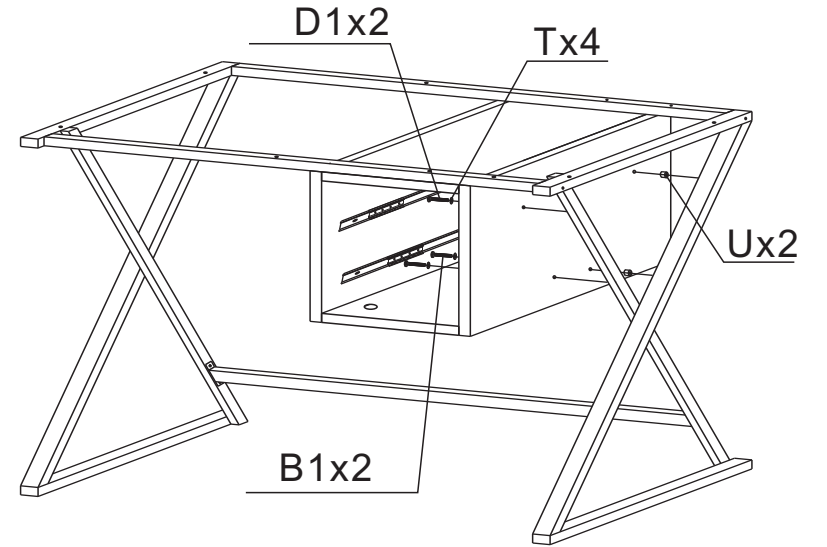
5



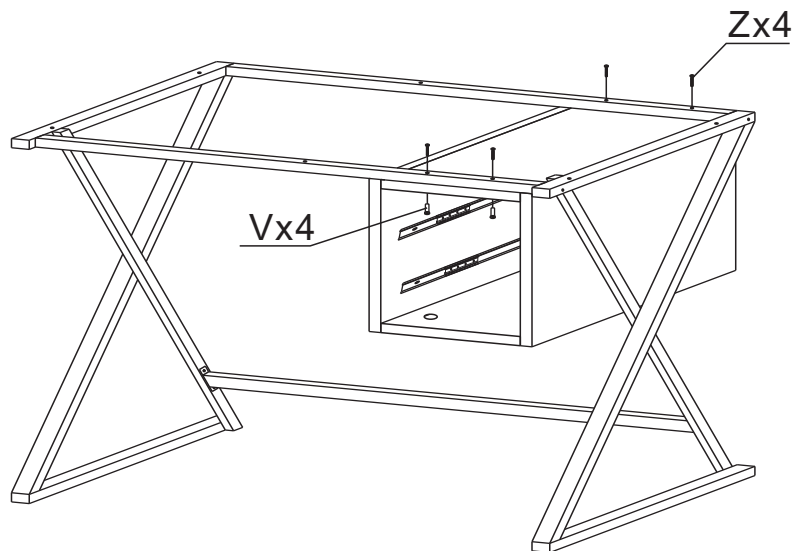
6



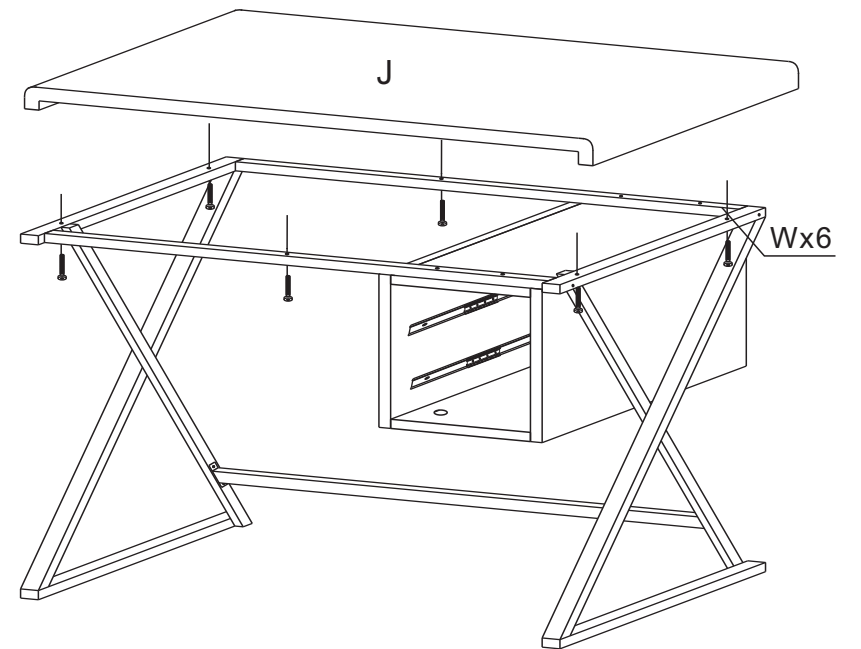
7



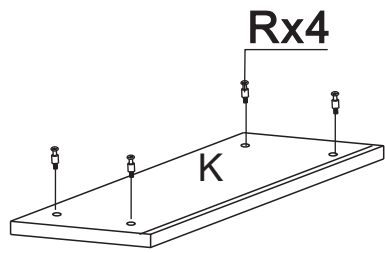
8



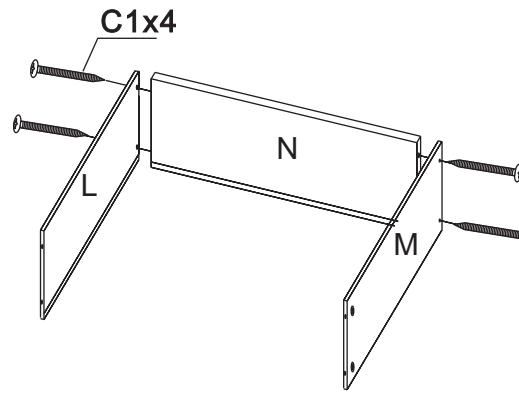
9



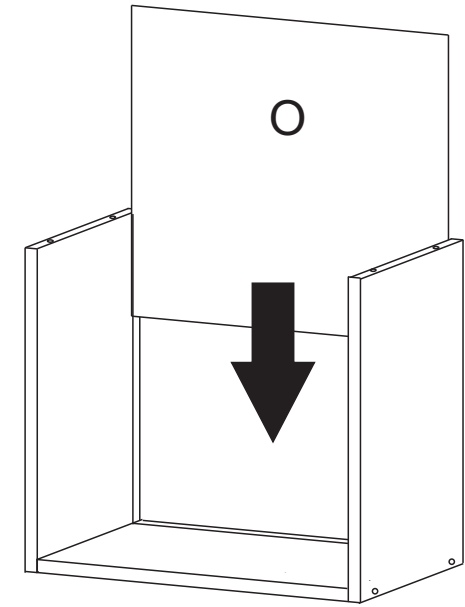
10



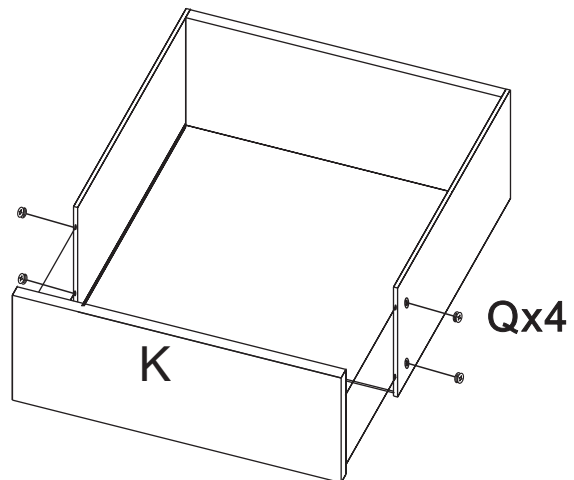
11



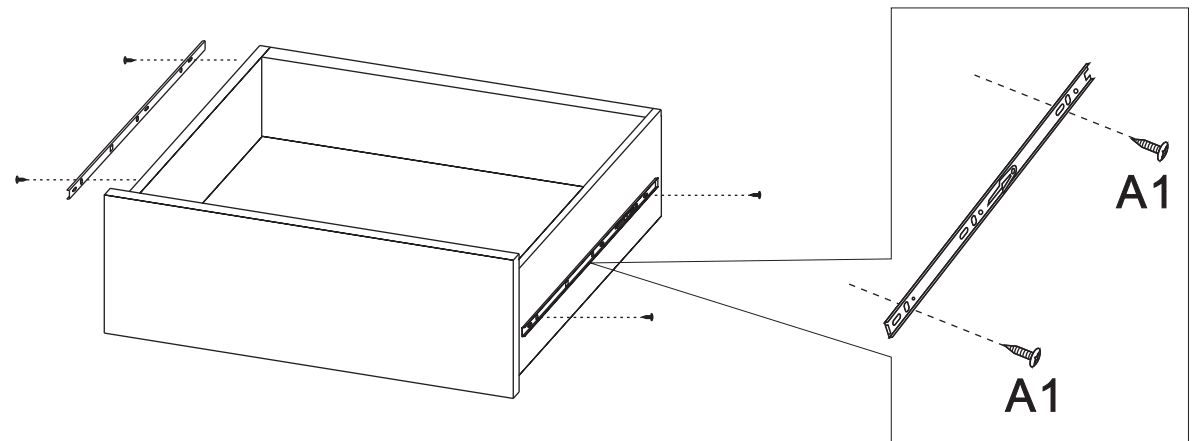
12



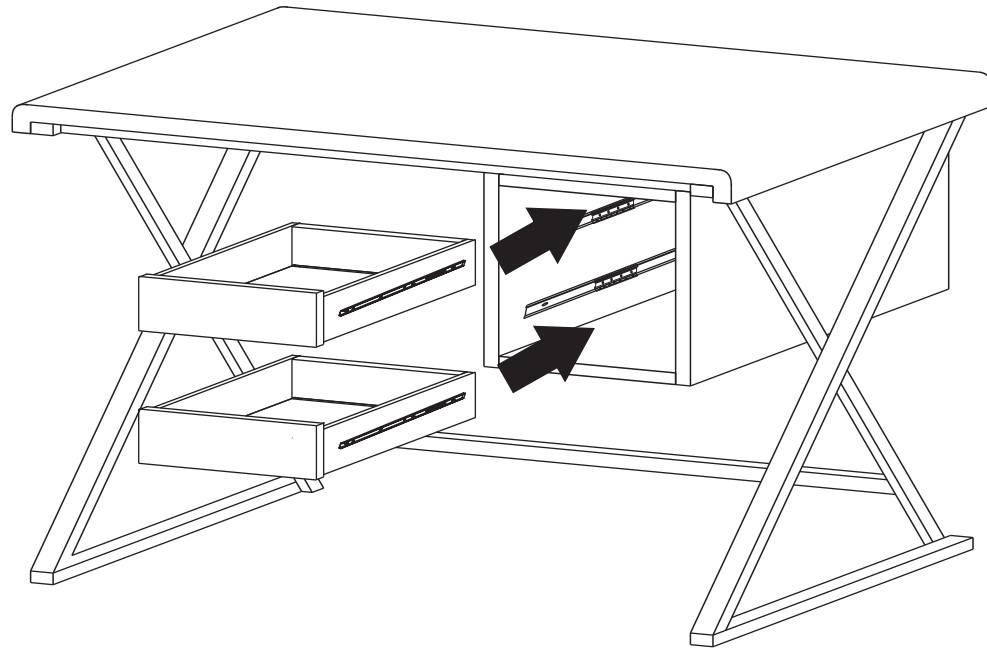
13



14



15



16

