

## NOTICE

- \* Please make sure that you have all parts indicated and they are in good condition before you begin assembly of this item. Refer to part list and hardware list below for guidance.
- \* This item should be assembled on a soft surface to prevent scratching the finish during assembly.
- \* This item may require periodic tightening.
- \* If you are having difficulty, our friendly Customer Care team is always here to help. Please email [customersupport@safavieh.com](mailto:customersupport@safavieh.com)

## PREPARATION

- \* Before beginning assembly of product, make sure all parts are present. Compare parts with part contents list and hardware contents list.
- \* If any part is missing or damaged, do not attempt to assemble the product.
- \* Estimated Assembly Time: 50 minutes.
- \* Tools Required for Assembly : Allen Key, Screwdriver, Wooden hammer.

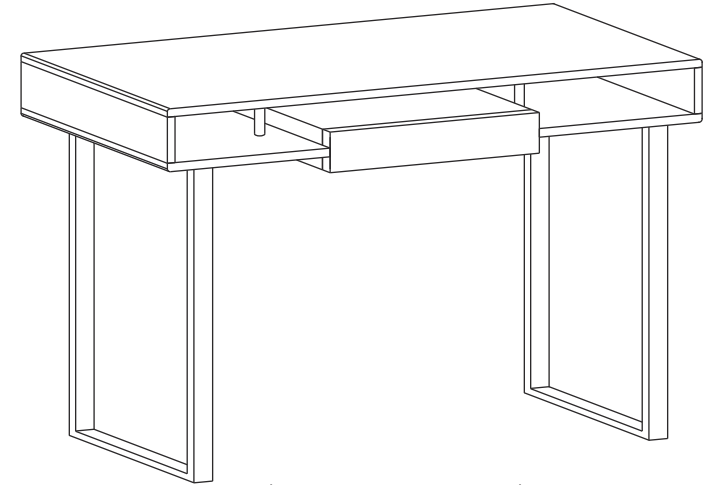
## CARE AND MAINTENANCE

Dust regularly with a soft, dry cloth. Never use oiled or treated cloths on lacquered finishes. Some finishes can be wiped with a damp (not wet) cloth, followed at once by rubbing with a dry cloth to remove fingerprints and smudges. For persistent spots, gently clean with a soft cloth and a solution of water and mild soap, make sure to wipe dry. Use adhesive felt pads, coasters and placemats to protect your furniture.

 **SAFAVIEH**  
FURNITURE

Model# FOX2203A

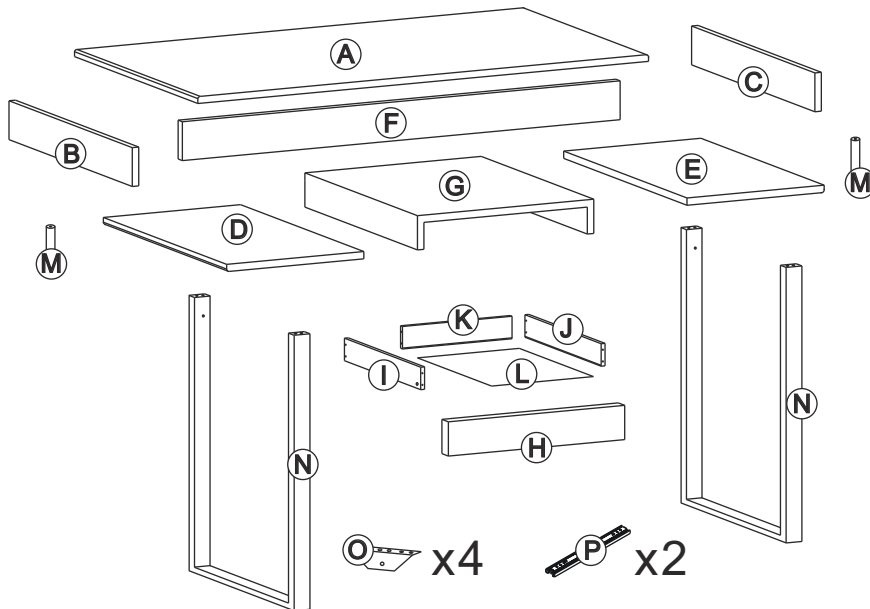
Product Dimensions: 47.2"W×21.6"D×31.1"H

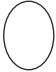








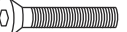
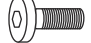
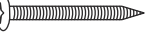



### ⚠ WARNING ⚠

Weight Capacity: 70 lbs.  
Warning: Do not stand on Desk.  
Warning: Do not over torque bolts.

### Part List and Hardware List



HW1x13 	HW2x1 	HW3x15  6x45mm	HW4x15 	HW5x10 
HW6x8  5x45mm	HW7x2 	HW8x2 	HW9x2  6x35mm	HW10x8  6x30mm
HW11x20  6x12mm	HW12x4  4x35mm	HW13x8  3.5x12mm		

# Part List & HW List

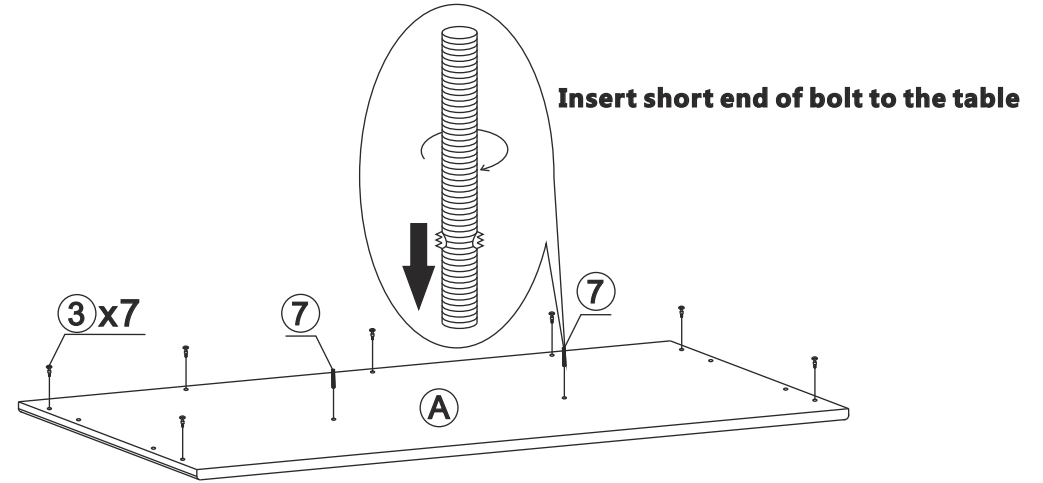
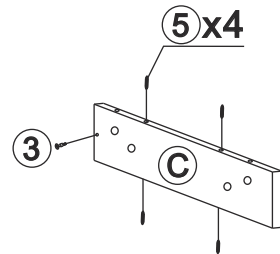
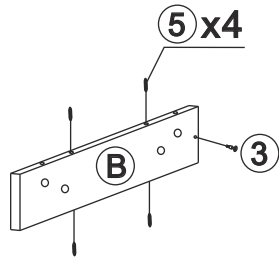
Piece	Description	Qty
A	Top Board	1
B	Side Board Left	1
C	Side Board Right	1
D	Bottom Board Left	1
E	Bottom Board Right	1
F	Back Board	1
G	Drawer Outer	1
H	Drawer Front Board	1
I	Drawer Side Board Left	1
J	Drawer Side Board Right	1
K	Drawer Back Board	1
L	Drawer Bottom Board	1
M	Support Rod	2
N	Leg	2
O	Leg Connector	4
P	Slide Rail	2

Piece	Description	Qty
HW1	Sticker	13
HW2	Allen Key	1
HW3	Cambolt M6 x 45 mm	15
HW4	Camlock	15
HW5	Dowel	10
HW6	Screw M5 x 45 mm	8
HW7	Bolt	2
HW8	Washer	2
HW9	Screw M6 x 35 mm	2
HW10	Screw M6 x 30mm	8
HW11	Screw M6 x 12 mm	20
HW12	Screw M4 x 35 mm	4
HW13	Screw M3.5 x 12 mm	8

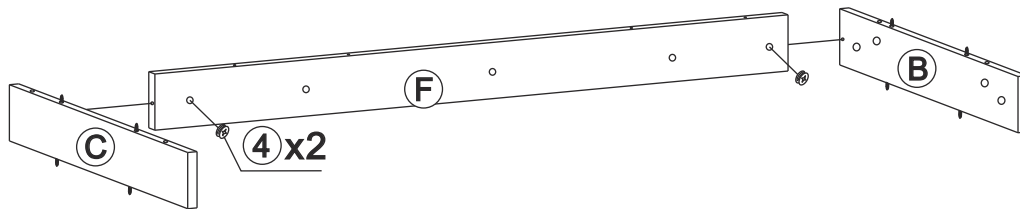
# PREPARATION

- \* Before beginning assembly of product, make sure all parts are present. Compare parts with part contents list and hardware contents list.
- \* If any part is missing or damaged, do not attempt to assemble the product.
- \* Estimated Assembly Time: 50 minutes.
- \* Tools Required for Assembly : Allen Key, Screwdriver, Wooden hammer.
- \* If you are having difficulty, our friendly Customer Care team is always here to help. Please email [customersupport@safavieh.com](mailto:customersupport@safavieh.com)

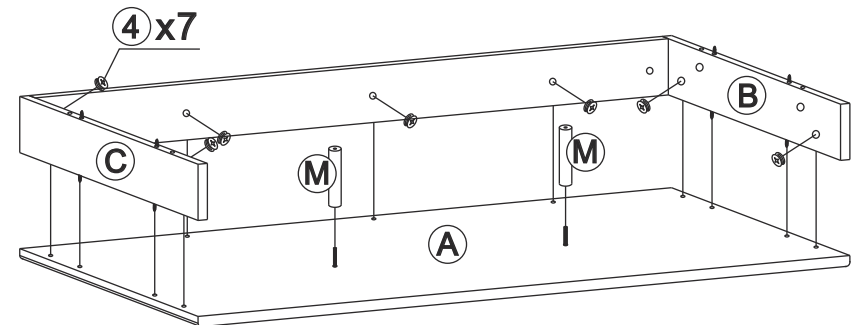
- 1** Install HW③ on part (A), (B), (C), insert HW⑤ in part (B), (C),  
Insert short end of HW⑦ in part (A).



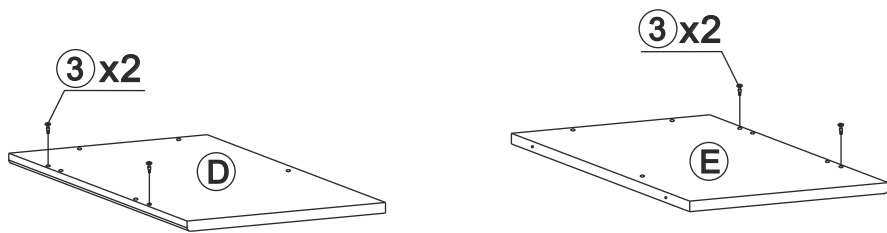
- 2** Insert HW④ in part (F), attach to (B), (C),  
Fasten HW④ to install them together.



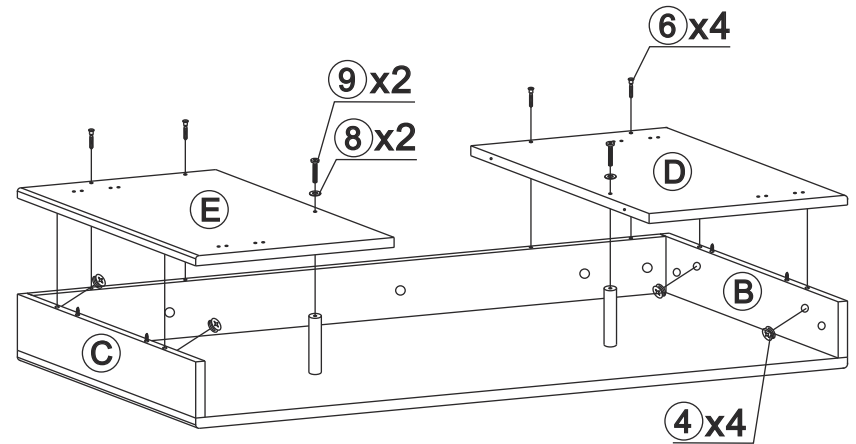
- 3** Insert HW④ in part (B), (C), (F), attach to part (A),  
Fasten HW④ to install them together, install part (M) on (A).



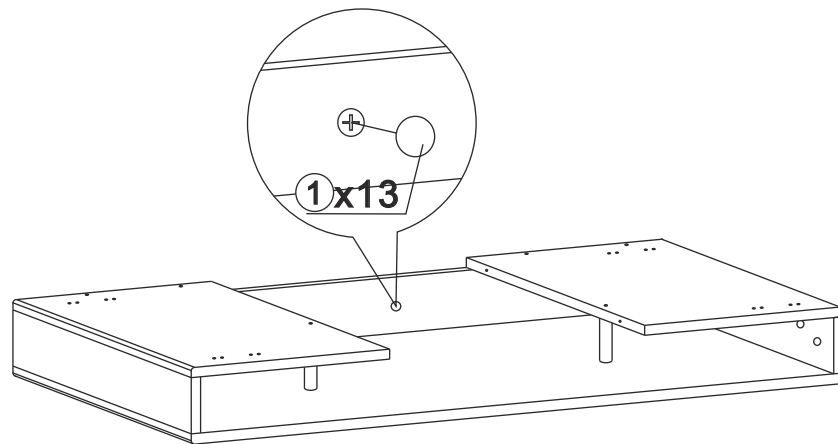
**4** Install HW ③ on part ④, ⑤.



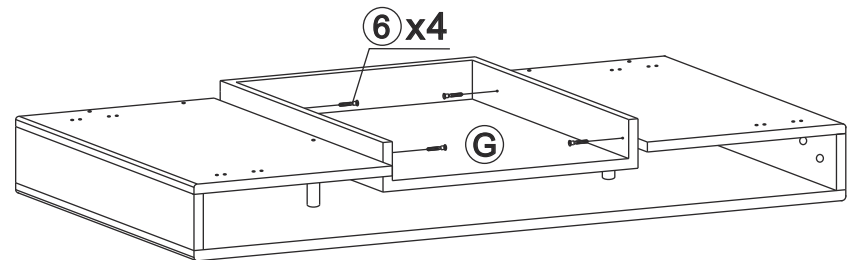
**5** Insert HW ④ in part ②, ③, attach part ④, ⑤ to ②, ③, ⑥, fasten HW ④, Use HW ⑧, ⑨ to install part ④, ⑤.



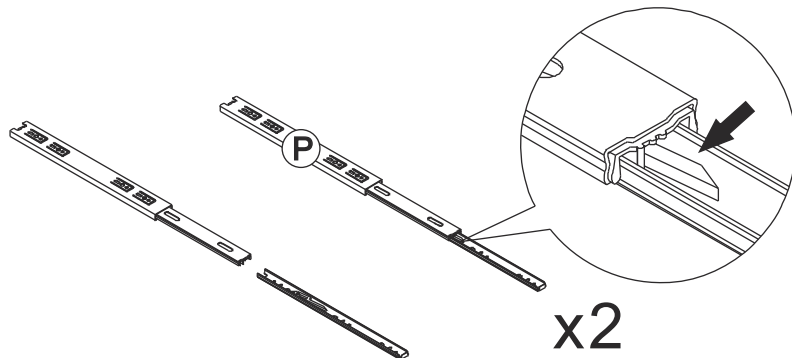
**6** Stick HW ① to cover HW ④ area on part ②, ③, ⑥.



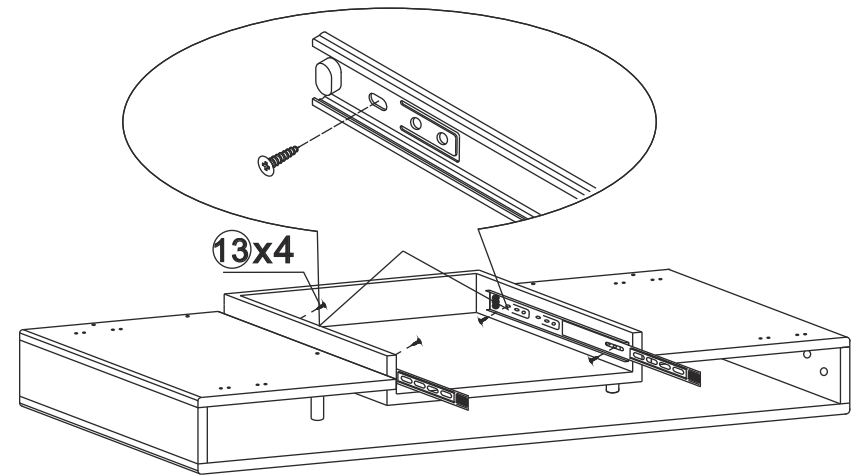
**7** Use HW ⑥ to install part ⑦ together with part ④, ⑤.



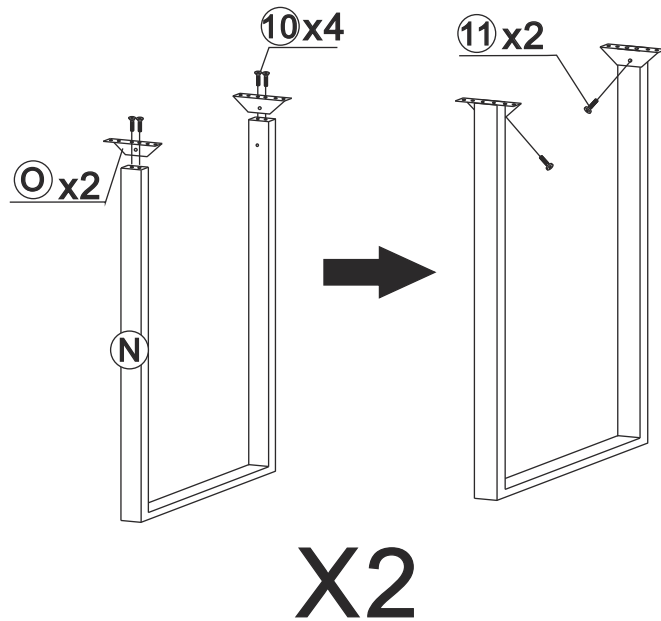
**8** Press down and pull away.



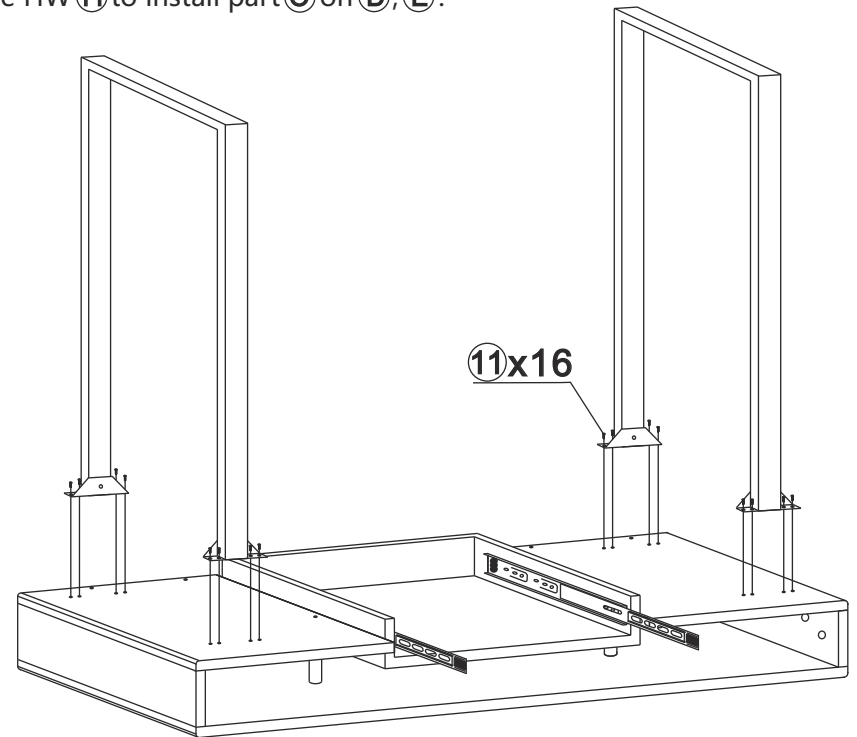
**9** Use HW **13** to install the big piece of part **P** on **G**.



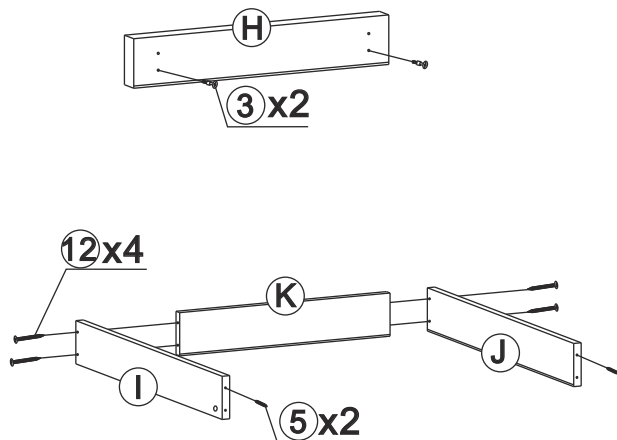
**10** Use HW **10**, **11** to install part **O** on **N**.



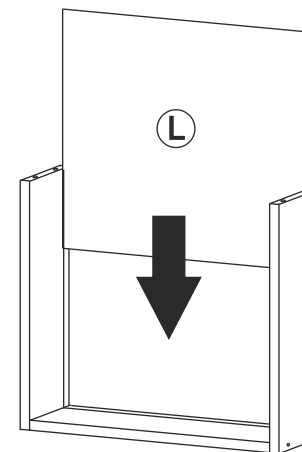
**11** Use HW **11** to install part **O** on **D**, **E**.



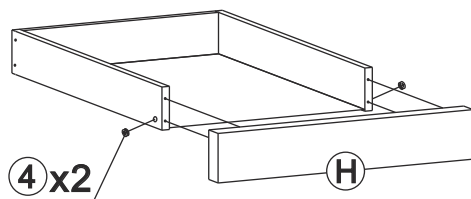
**12** Install HW③ on part①, Use HW⑫ to install part①,② and③ together, Insert HW⑤ in part①,②.



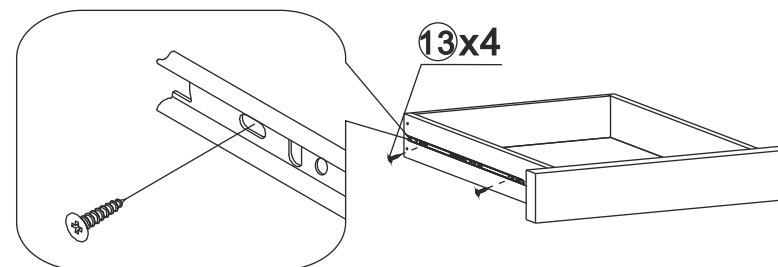
**13** Insert part④ in ①,②,③ frame.



**14** Insert HW④ in part①,②, attach to part④, Fasten HW④ to install them together.



**15** Use HW⑬ to install the small piece of part⑥ on side board of drawer



**16** Insert drawer in desk.

