

## **CARE AND MAINTENANCE**

Spot clean using a mild water-free solvent. Only a professional cleaner should undertake a complete overall cleaning.

The use of steam or water-based cleaners may cause excessive shrinking or staining.





## **NOTICE**

\* Please make sure that you have all parts indicated before you begin assembly of this item

\* This item should be assembled on a soft surface to prevent scratching the finish during assembly

\* This item may require periodic tightening

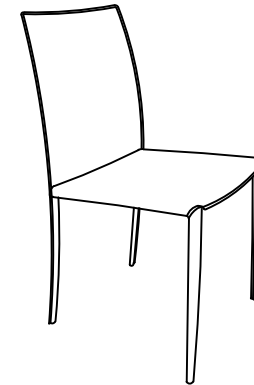
## **Part List and Hardware List**

PIECE	DESCRIPTION	PICTURE	QUANTITY
A	Seat		1X
B	Back		1X
H1	MACHINE	 M8*15mm	4X
H2	Allen key	 M5	1X



Model# FOX2009

Product Dimensions: 18"WX21-3/4"DX35-3/4"H



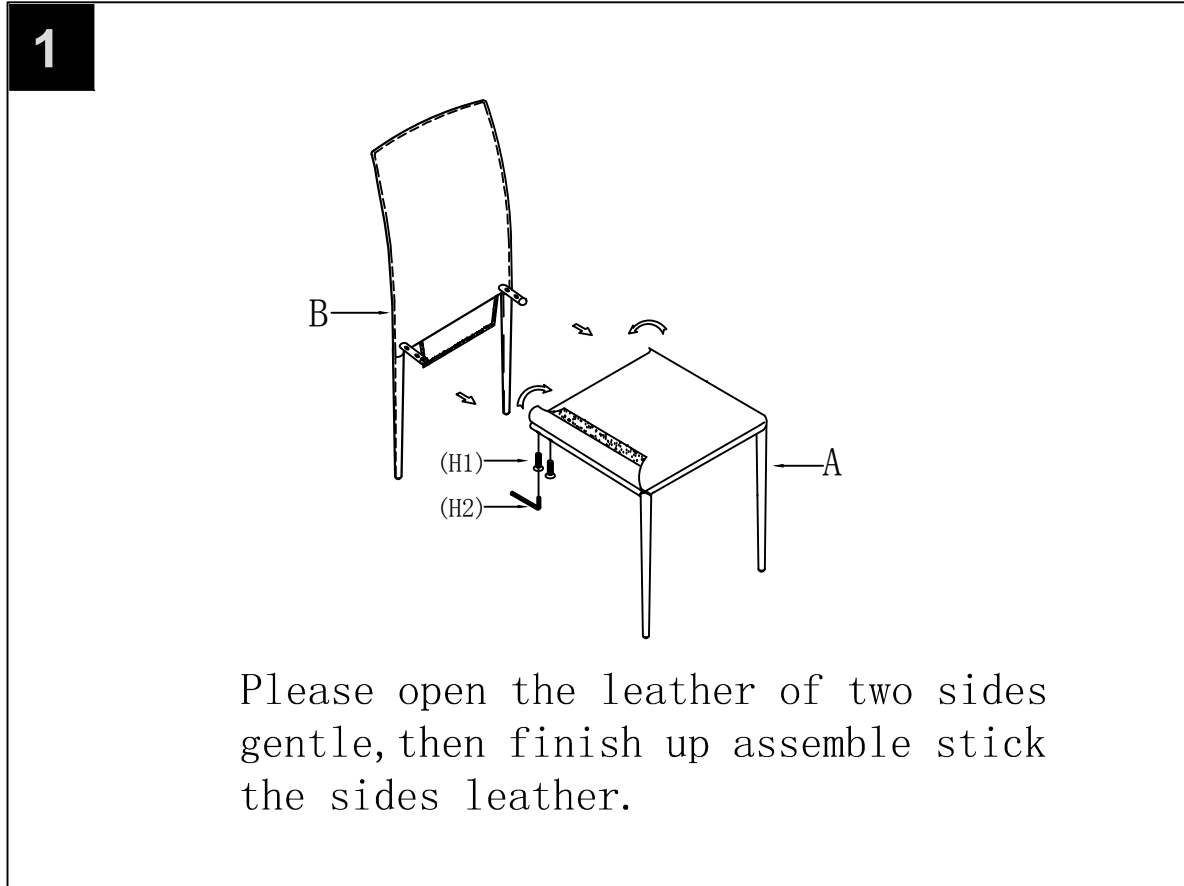
## PREPARATION

Before beginning assembly of product, make sure all parts are present. Compare parts with package contents list and hardware contents list.

If any part is missing or damaged, do not attempt to assemble the product.

Estimated Assembly Time: 10 minutes.

Tools Required for Assembly (included): Allen Key



### Step 1

Please open the leather of two sides gentle, then finish up assemble stick the sides leather.

Insert the metal bars of back B into the metal tube of set A.  
Use Allen wrench H2 tighten bolt H1.