

## CARE AND MAINTENANCE

Spot clean using a mild water-free solvent. Only a professional cleaner should undertake a complete overall cleaning.

The use of steam or water-based cleaners may cause excessive shrinking or staining.

## NOTICE

\* Please make sure that you have all parts indicated before you begin assembly of this item

\* This item should be assembled on a soft surface to prevent scratching the finish during assembly









\* This item may require periodic tightening

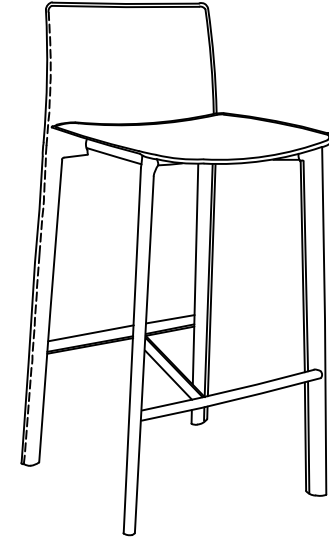


Model# FOX2004

Product Dimensions: 17-1/4"W X 18-3/4"D X 37-3/4"H

## Part List and Hardware List

PIECE	DESCRIPTION	PICTURE	QUANTITY
A	Back		1X
B	Seat		1X
C	Rails		1X
H1	Flat washer	 Ø13-Ø6mm	2X
H2	Allen bolt S	 M6*12mm	2X
H3	Allen bolt	 M6*25mm	2X
H4	Allen bolt L	 M6*55mm	2X
H5	Allen key	 M4	1X



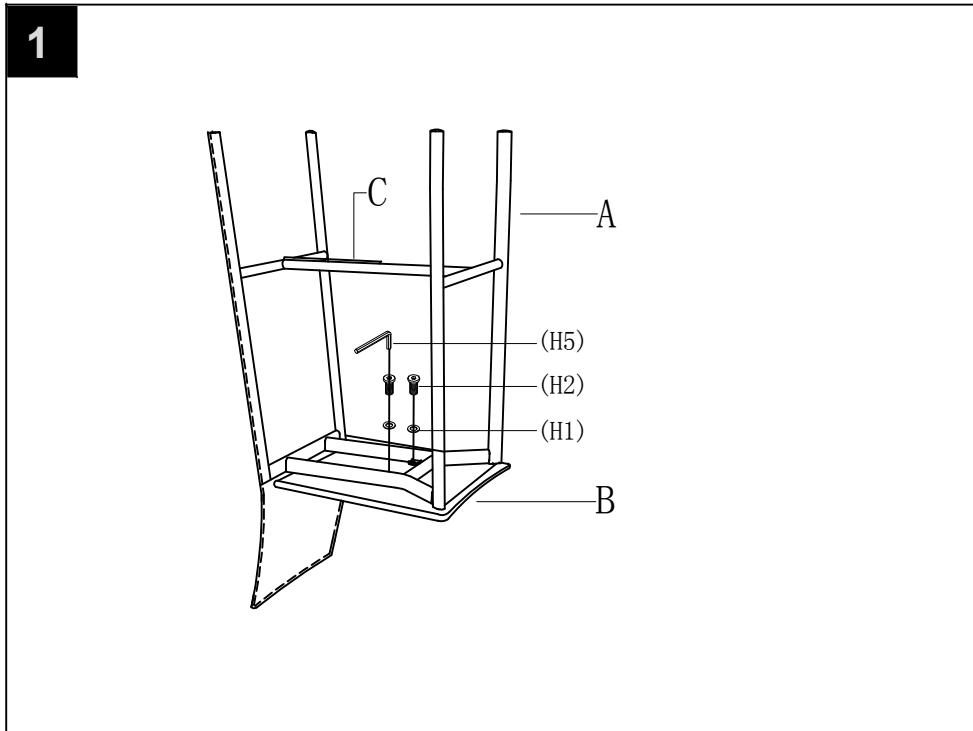
## PREPARATION

Before beginning assembly of product, make sure all parts are present. Compare parts with package contents list and hardware contents list.

If any part is missing or damaged, do not attempt to assemble the product .

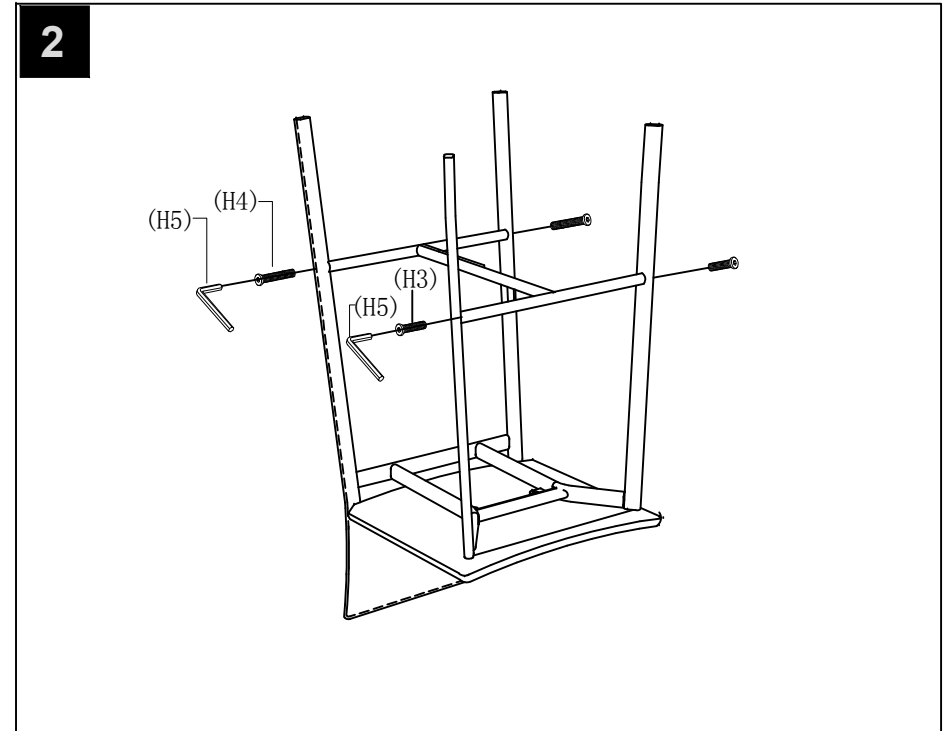
Estimated Assembly Time: 10 minutes.

Tools Required for Assembly (included): Allen Key



### Step 1

Turn the chair frame upside down.  
use Allen wrench H5 to tighten flat washer H1  
into bolt H2 to the seat B.



### Step 2

Use Allen wrench H5 to tighten short bolt H3 from  
A to c.  
Use Allen wrench H5 to tighten H4 from A to c.