

CARE AND MAINTENANCE

Do not expose your furniture to any liquids.

All liquids should be wiped up immediately with a soft, slightly damp cloth in the direction of the rattan.

Do not expose your furniture to strong or direct sunlight, heat outlets, open windows and dampness.

Excessive exposure to sunlight can cause fading of your furniture finish.

Extreme temperatures and humidity changes can cause cracking and splitting.









NOTICE

* Please make sure that you have all parts indicated before you begin assembly of this item

* This item should be assembled on a soft surface to prevent scratching the finish during assembly

* This item may require periodic tightening

Part List and Hardware List

PIECE	DESCRIPTION	PICTURE	QUANTITY
A	Backrest		1X
B	Front Leg		1X
	Seat		
D	Bottom fabric		1X
E1	Allen bolt L		8X
E2	Spring washer		8X
E3	Flat washer		8X
E4	Allen key		1X

 **SAFAVIEH**
FURNITURE

Model# FOX1021A

Product Dimensions
17.32" W x 24.80" D x 40.94" H

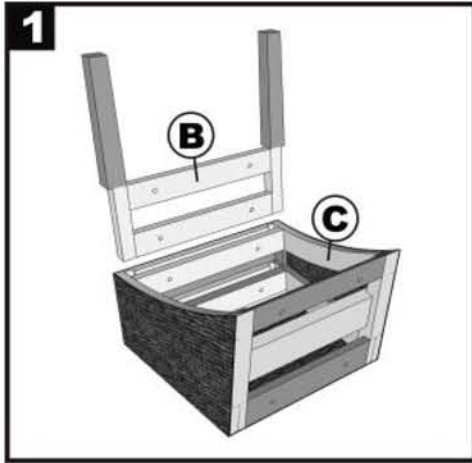


PREPARATION

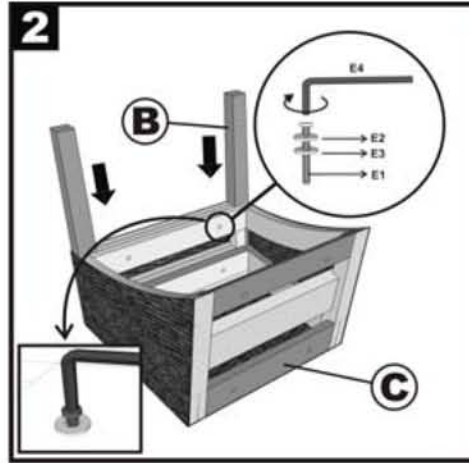
Before beginning assembly of product, make sure all parts are present. Compare parts with package contents list and hardware contents list. If any part is missing or damaged, do not attempt to assemble the product.

Estimated Assembly Time: 10 minutes.

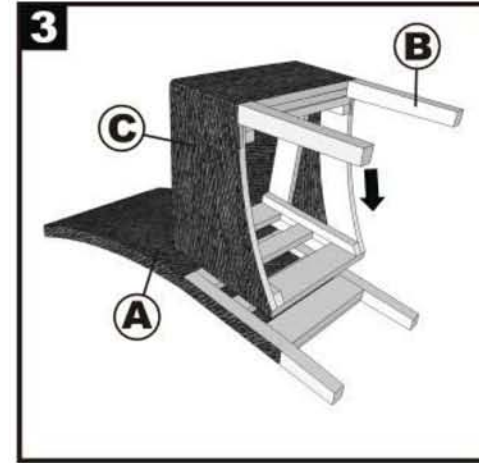
Tools Required for Assembly (included): Allen Key



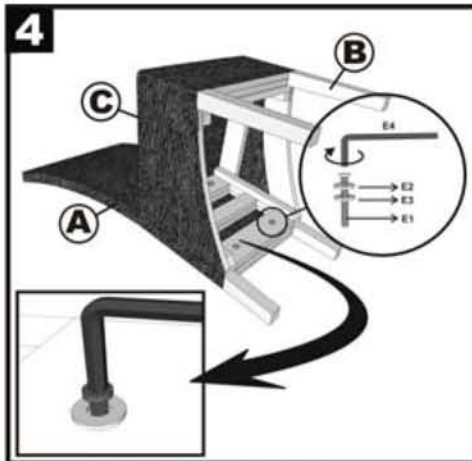
STEP 1
Align front leg (B) onto the bottom of seat base (C)



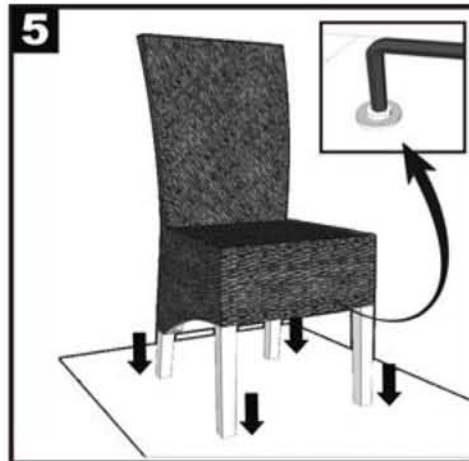
STEP 2
Push down a little bit to fit perfectly with seat base (C). Attach front leg (B) using Allen bolt (E1), Spring washer (E2) and Flat washer (E3). Fasten HALF TIGHT with Allen key (E4) onto 4 holes for leveling.



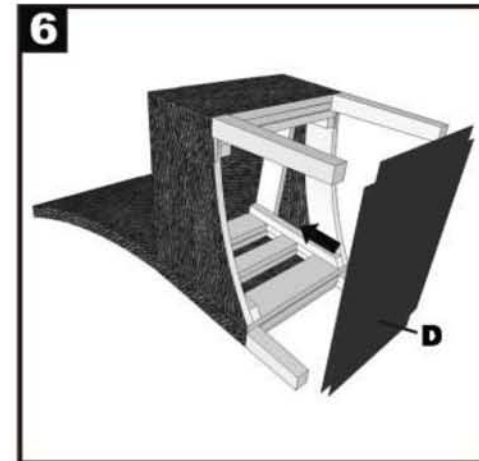
STEP 3
Align assembled front leg (B) and seat base (C) onto the backrest (A). Adjust the position to fit perfectly.



STEP 4
Attach assembled front leg (B) and seat base (C) onto Backrest (A) using Allen bolt (E1), Spring washer (E2) and Flat washer (E3). Fasten HALF TIGHT with Allen key (E4) onto 4 holes for leveling.



STEP 5
Leveling FRONT legs until the chair become standing stable and then fasten all screws tightly FULL with Allen key (E4).



STEP 6
Put bottom cover by pressing the edges of fabric to velcro fixed. Stand up the chair upright. Assembly is finish