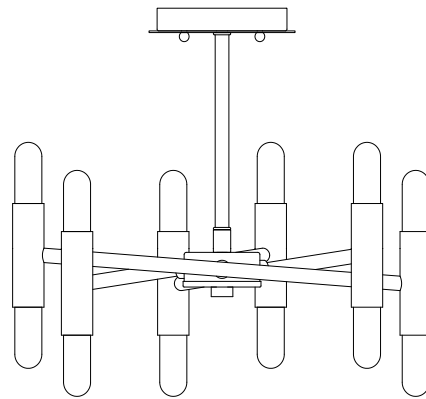




Assembly Instruction

CAUTION: Read instruction carefully and turn electricity off at main circuit breaker panel before beginning installation.

ITEM#: FLU4008A



Care and Cleaning














To clean the outside of the fixture, use a dry or slightly dampened clean cloth (use clean water, never a solvent) to wipe the surface of the fixture.

To clear the inside of the fixture, first disconnect power to the fixture by turning off the circuit breaker or by removing the fuse at the fuse box. Next, use a dry or slightly dampened clean cloth (use clean water, never a solvent) to wipe the interior surface of the fixture.

Do not use any cleaners with chemical, solvents or harsh abrasives. Use Only a dry soft cloth to dust or wipe carefully.

Estimated Assembly Time: 30 minutes

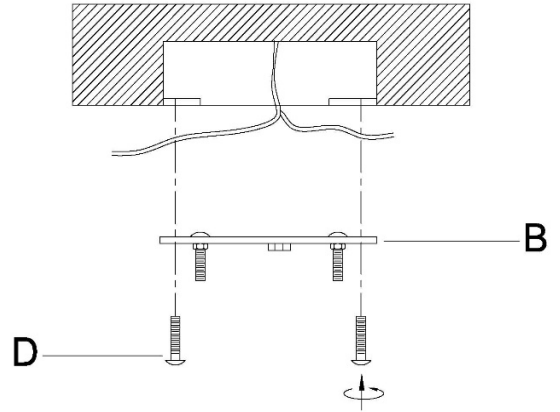
Part List and Hardware List

A	Wire Nut	X3		H	Finial	X2	
B	Mounting Plate	X1		I	Stem	X1	
C	Mounting Screw	X2		J	Bulb Shield	X12	
D	Outlet Box Screw	X2		K	Tube	X12	
E	Hex Nut	X2		L	G9 Bulb	X12	
F	Green Ground Screw	X1		N	Fixture Body	X1	
G	Canopy	X1					

Installation

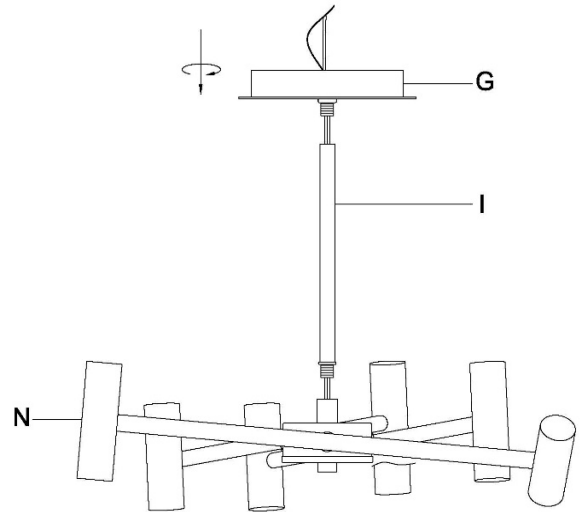
Step 1

Attach the Mounting Plate (B) to the junction box using the Outlet Box Screw (D) on the ceiling wall.



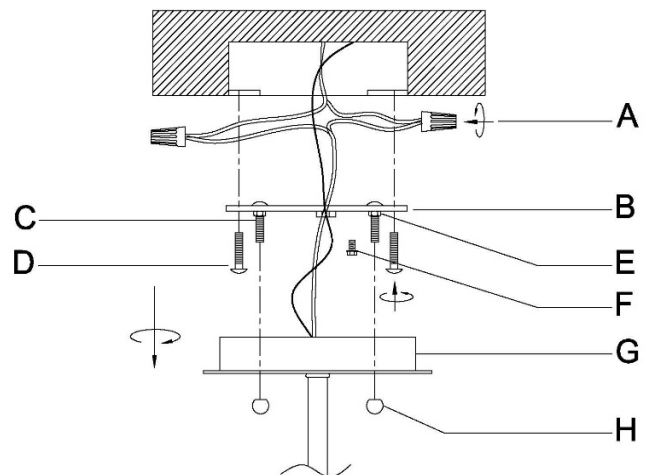
Step 2

Thread Stem (I) to the Fixture Body (N), then thread the Canopy (G) to the Stem (I).



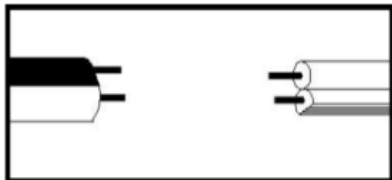
Step 3

Using the Wire Nut (A) connected the positive electrode and the negative pole of the fixture body carefully into the positive electrode and the negative pole in junction box.



Step 4 Wire connection

Connect, Hot, Black or Red outlet Supply Wire to:	Connect, Neutral, White Outlet Supply Wire to:
Black	White
*Parallel Cord (round & smooth)	*Parallel Cord (square & ridged)
Clear, Brown, Gold or Black without Tracer (colored stripes)	Clear, Brwn, Gold or Black without Tracer (colored stripes)
Insulated Wire (not green) with copper metal conductor	Insulated Wire (not green) with Silver metal conductor



*Note: When parallel wire(SPTI&SPTII)is used. The neutral wire is square shaped and ridged and the hot wire will be round in shape and smooth.(See illustration on left)



Grounding Instructions:

a) For installation in the United States: Wrap ground wire from outlet box around green ground screw on mounting bracket, no less than 2" from wire end. Tighten ground screw. If fixture is supplied with a ground wire, connect to outlet ground wire with a wire connector.

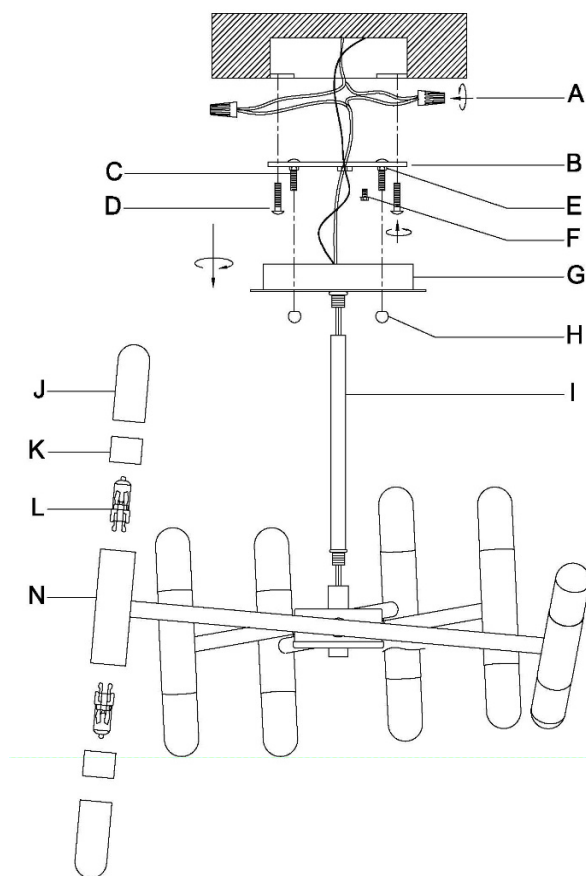
b) For installation in Canada: If fixture is supplied with ground wire, wrap ground wire around green grounding screw on mounting bracket. Tighten ground screw.

Step 5

Attach the Canopy (G) through Mounting Screw (C), secure Canopy (G) with Finial (H) to Mounting Screw (C).

Slide the Tubes (K) over the sockets, Insert the G9 bulbs (L) into the sockets, and then thread the Bulb Shields (J) to the Fixture Body (N) as shown.

**PLEASE USE TYPE G9 LED BULB MAX. 5-WATT.
THERE ARE 12*2-WATT G9 LED BULBS IN THE BOX.**



Step 6

Consult a qualified electrician to ensure correct branch circuit conductor.

ENJOY YOUR LAMP