

WARNING

*This portable lamp has a polarized plug (one blade is wider than the other) as a safety feature to reduce the risk of electric shock. this plug will fit in a polarized outlet only one way. if the plug does not fit fully in the outlet, reverse the plug, if it still does not fit, contact a qualified electrician. Never use with an extension cord unless the plug can be fully inserted. do not attempt to defeat this safety feature.













CARE AND MAINTENANCE

*Unplug lamps before using any cleaning solutions. Dust shades with a feather duster or with an appropriate vacuum-brush attachment. Wipe with a soft, dry cloth and clean lamp bases with the methods appropriate to the material. Avoid the use of chemicals and household cleaners as they may damage the finish.

NOTICE& IMPORTANT SAFETY INSTRUCTIONS

- * Please make sure that you have all parts indicated before you begin assembly of this item
- * This item should be assembled on a soft surface to prevent scratching the finish during assembly
- * To reduce the risk of fire, electrical shock or injury to persons or property, please follow the guideline below for safe use and installation
- * The external flexible cable or cord of this luminaire cannot be replaced
- * If the cord is damaged, the luminaire shall be destroyed

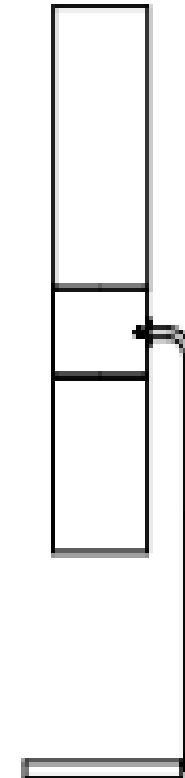
Part List and Hardware List

PIECE	DESCRIPTION	PICTURE	QUANTITY	PIECE	DESCRIPTION	PICTURE	QUANTITY
A	Lamp base		1X	E2	Shade		1X
B	Lamp Body		1X	F	Out ring		2X
C	Lamp Body(bend)		1X	G	Iron sheet		1X
D1	Socket		1X	H	Nut		1X
D2	Socket		1X	I	Spanner		1X
E1	Shade		1X	J	Bulbs		2X



Model# FLL4120

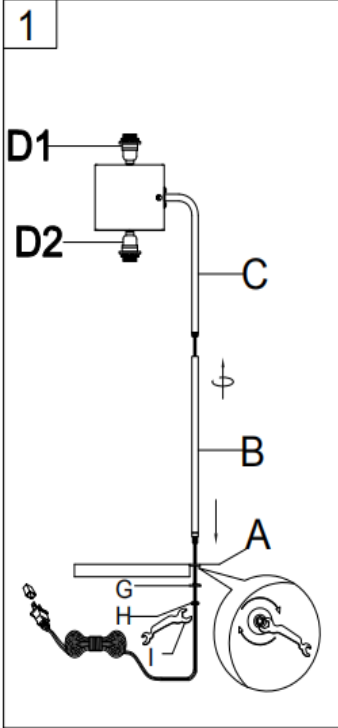
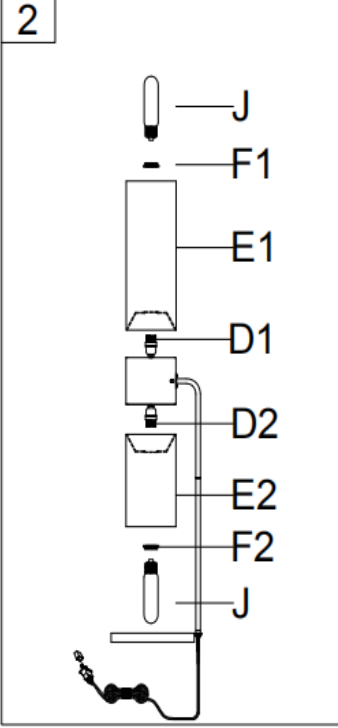
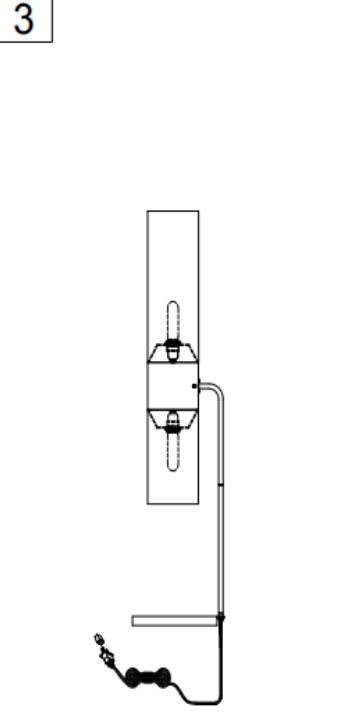
Product Dimensions: 13"Lx11.875"Wx55"H



PREPARATION

- * Before beginning assembly of product, make sure all parts are present. Compare parts with package contents list and hardware contents list.
- * If any part is missing or damaged, do not attempt to assemble the product.
- * Estimated Assembly Time: 15 minutes.
- * If you are having difficulty, our friendly Customer Care team is always here to help. Please email customersupport@safavieh.com

NOTE: PLEASE USE ON/OFF TYPE "A" BULB MAX 40-WATT OR LED BULB MAX 9-WATT, THERE IS LED 4-WATT BULB IN THE BOX

 <p>1</p>	 <p>2</p>	 <p>3</p>
<p>Step 1: Make sure all parts could be aligned before assemble. Unpack all parts from cartons carefully. Screw the Lamp Body(C) onto the Lamp Base(B). Through Iron sheet(G) and Nut(H), Insert Lamp body(B) into Lamp base(A), Fix the Nut(H) on bottom of base(A), by using spanner(I). Be careful not to twist the power cord and tighten securely.</p>	<p>Step 2: Put the shade(E2) on the socket(D2), then tighten the out ring(F2) on it. Put the shade(E1) on the socket(D1), then tighten the out ring(F1) on it. Insert the bulb(J) into the socket(D1),(D2)</p>	<p>Step 3: Put the light on a level surface to check if everything is stable.</p>