


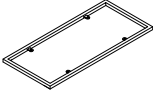
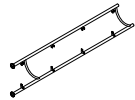
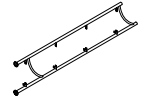







## CARE AND MAINTENANCE

Wipe clean with a soft, dry cloth. Test the cleaning method on a hidden area before using them over the entire area.

## NOTICE

- \* Please make sure that you have all parts indicated before you begin assembly of this item.
- \* This item should be assembled on a soft surface to prevent scratching the finished product during assembly.
- \* This item may require periodic tightening.
- \* Do not tighten bolts until completely assembled.

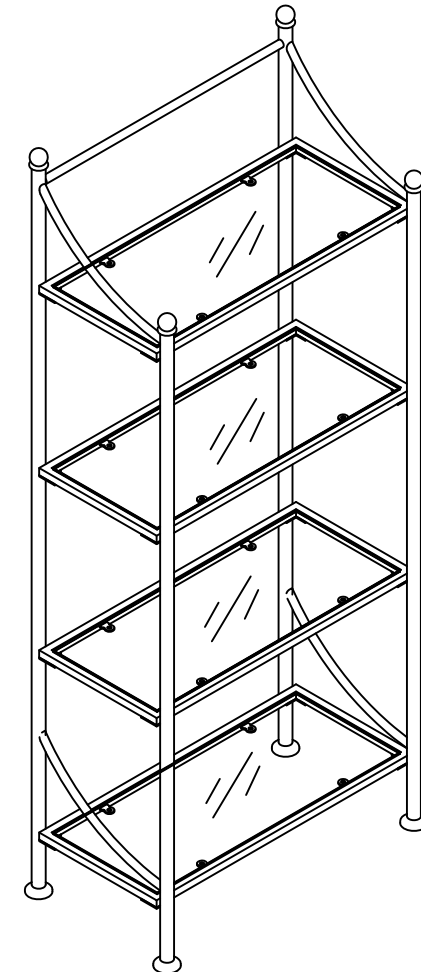
## Part List and Hardware List

PIECE	DESCRIPTION	PICTURE	QUANTITY
A	Glass Shelf		4x
B	Shelf Frame		4x
C	Left Side Frame		1x
D	Right Side Frame		1x
E	Connecting bar		1x
F	Finial		4x
H1	Allen Bolt	 1/4"x5/8"	32x
H2	Allen Bolt	 1/4"x1-1/2"	2x
H3	Allen Key	 M4	1x
H4	Suction Cup	 $\phi 19$	16x
H5	Anti-Tip Hardware		2x

 **SAFAVIEH**  
FURNITURE

Model# ETG6207

Product Dimensions: 26-1/4"W\*14-1/4"Dx64-3/4"H

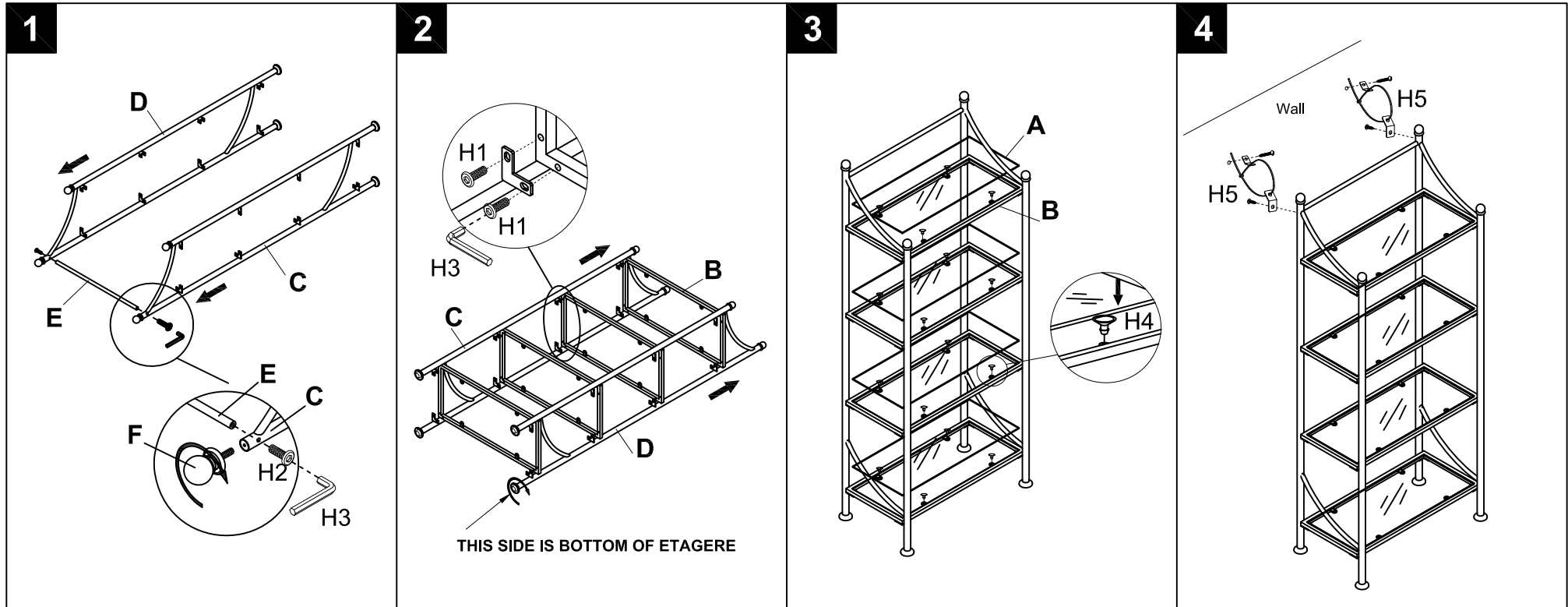


## PREPARATION

Before beginning assembly of product, make sure all parts are present. Compare parts with package contents list and hardware contents list. If any part is missing or damaged, do not attempt to assemble the product.

Estimated Assembly Time: 30 minutes.

Tools Required for Assembly (included): Allen Key



### Step 1

Lay the 2\*side frames (C/D) down, and attach 1\*connecting bar (E), Use Allen Key (H3) to lock 2\*Allen bolts (H2) from the both sides. And screw in 4\*finials (F) to the top of side frames tube (C/D), as picture.

### Step 2

Attach 4\*shelf frames (B) to the both side frame (C/D) and aligning screw holes, Use Allen Key (H3) to lock 32\*Allen bolts (H1) from the bottom side of side frames (C/D).

### Step 3

Straighten up the assembled etagere, place 16\*suction cups (H4) on 4 shelves frame (B) in position, and place 4\*Glass shelves (A) on 4 shelves separately.

### Step 4

Following the Installation Instructions of anti-tipping to fix the rack with wall by 2 straps, Assembly is completed.