

## CARE AND MAINTENANCE

Wipe clean with a soft, dry cloth. Test the cleaning method on a hidden area before using them over the entire area.

## NOTICE

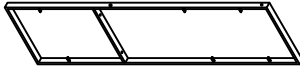
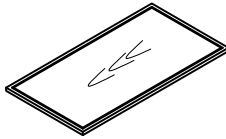
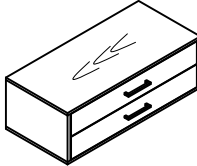




- \* Please make sure that you have all parts indicated before you begin assembly of this item.
- \* This item should be assembled on a soft surface to prevent scratching the finished product during assembly.
- \* This item may require periodic tightening.
- \* Do not tighten bolts until completely assembled.

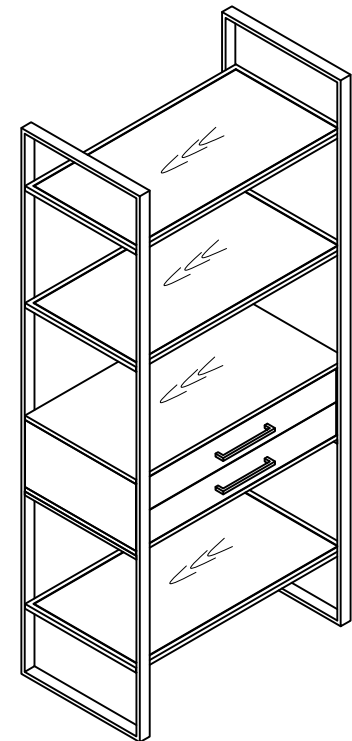
 **SAFAVIEH**  
FURNITURE

Model# ETG6204

Product Dimensions: 32"W\*18"Dx72"H

## Part List and Hardware List

PIECE	DESCRIPTION	PICTURE	QUANTITY
A	Side Frame		2x
B	Shelf		3x
C	Drawer		1x
H1	Allen Bolt	 1/4"x5/8"	12x
H2	Allen Bolt	 1/4"x1"	6x
H3	Allen Key	 M4	1x
H4	Anti-Tip Hardware		2x

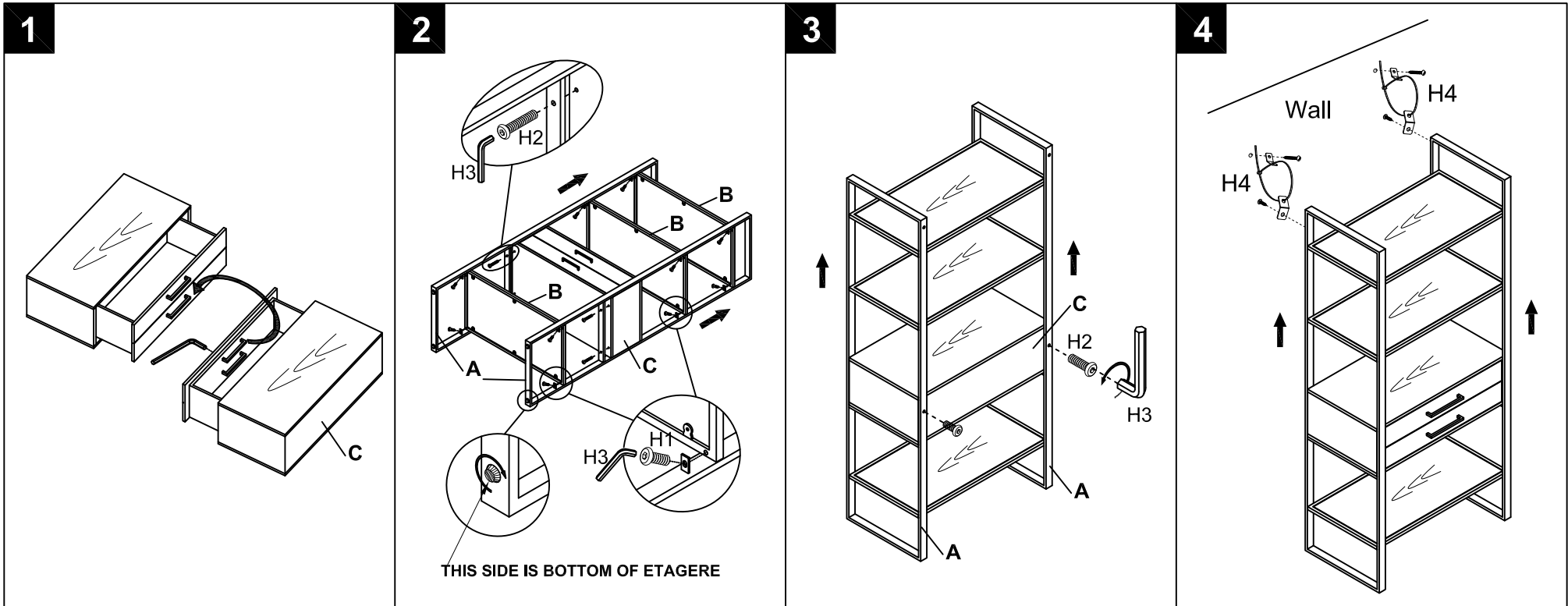


## PREPARATION

Before beginning assembly of product, make sure all parts are present. Compare parts with package contents list and hardware contents list. If any part is missing or damaged, do not attempt to assemble the product.

Estimated Assembly Time: 30 minutes.

Tools Required for Assembly (included): Allen Key



### Step 1

Open the drawer (C) and use Allen Key (H3) to remove the 2 handles from the inside of drawer, then assemble the 2 handles correctly in drawer front.

### Step 2

Place 2\*side frame (A), then attach 3\*shelf (B) and drawer (C) in the corresponding position and aligning, Use Allen Key (H3) to lock 12\*Allen bolts (H1) with shelves, and use Allen Key (H3) to lock 4\*Allen bolts (H2) with drawer, as picture.

### Step 3

Straighten up the assembled etagere, Use Allen Key (H3) to lock 2\*Allen bolts (H2) from the back side of drawer.

### Step 4

Following the Installation Instructions of anti-tipping to fix the etagere with wall by 2 straps, Assembly is completed.