









**CARE AND MAINTENANCE**

Always use felt pads under all articles to prevent discoloration or softening of the lacquer. Plastic and rubber bases on items can discolor wood. Wipe up spills immediately and avoid common hazards such as hot dishes, harsh solvents and abrasives. Cleaning should be done with a soft lint free cotton cloth dampened with water or furniture polish. On highly used surfaces we recommend applying a quality paste wax which should be used on a regular basis to provide additional protection from scratches and spills. How often you apply the wax depends on how much wear the furniture receives.

**NOTICE**

- \* Please make sure that you have all parts indicated before you begin assembly of this item
- \* This item should be assembled on a soft surface to prevent scratching the finish during assembly
- \* This item may require periodic tightening

**Part List and Hardware List**

PIECE	DESCRIPTION	PICTURE	QUANTITY
A	Table top		1X
B	Leg		1X
C	Leg		1X
D	Shelf		1X
HW1	Allen Bolt M6X0.5X35MM		6X
HW2	Flat washer M8X18MM		6X
HW3	Allen Key		1X
HW4	Screw		4X

**PREPARATION**

Before beginning assembly of product, make sure all parts are present. Compare parts with package contents list and hardware contents list.

If any part is missing or damaged, do not attempt to assemble the product.

Estimated Assembly Time: 10 minutes.

Tools Required for Assembly (included): Allen Key

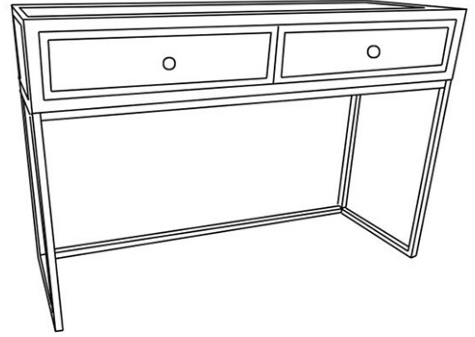


# SAFAVIEH

## FURNITURE

Model# DSK9701

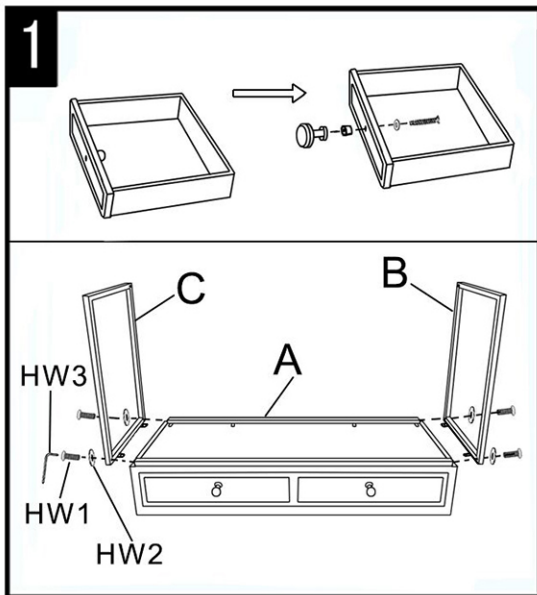
Product Dimensions: 47.25"Wx15.75"Dx31.8"H



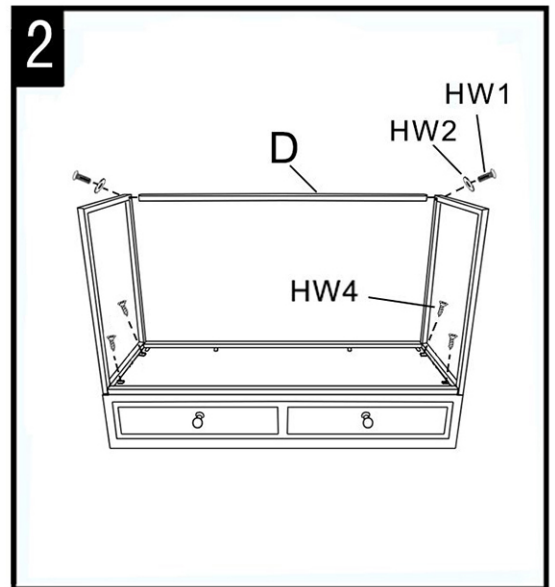
ATTACH YOUR RECEIPT HERE

Serial Number \_\_\_\_\_

Purchase Date \_\_\_\_\_



**Step 1**  
 handle is reversed inside  
 screw the handle with screw, washer and metal sleeve  
 Screw the legs (B, C) into the table top (A)



**Step 2**  
 Screw the Easel (D) into the legs (B, C)