

NOTICE

- * Please make sure that you have all parts indicated and they are in good condition before you begin assembly of this item. Refer to part list and hardware list below for guidance.
- * This item should be assembled on a soft surface to prevent scratching the finish during assembly
- * This item may require periodic tightening.
- * If you are having difficulty, our friendly Customer Care team is always here to help. Please email customersupport@safavieh.com

PREPARATION

- * Before beginning assembly of product, make sure all parts are present. Compare parts with part contents list and hardware contents list.
- * If any part is missing or damaged, do not attempt to assemble the product.
- * Estimated Assembly Time: 10 minutes.
- * Tools Required for Assembly (included): Allen Key

CARE AND MAINTENANCE

Adhesive felt pads should always be applied to areas of furniture which make direct contact with flooring, said application will prevent damage to the furniture and or surfaces on which the furniture lies. Objects placed on articles of furniture should rest on non-abrasive material as to prevent damage to the wood finish. Objects whose composition consists of plastic and rubber are known to discolor and damage the wood surfaces on which they rest. Wipe up spills immediately and avoid common hazards such as hot dishes, harsh solvents and abrasives. Cleaning should be done with a soft lint free cotton cloth dampened with water or furniture polish. On highly used surfaces we recommend applying a quality paste wax which should be used on a regular basis to provide additional protection from scratches and spills. How often you apply the wax depends on how much wear the furniture receives.

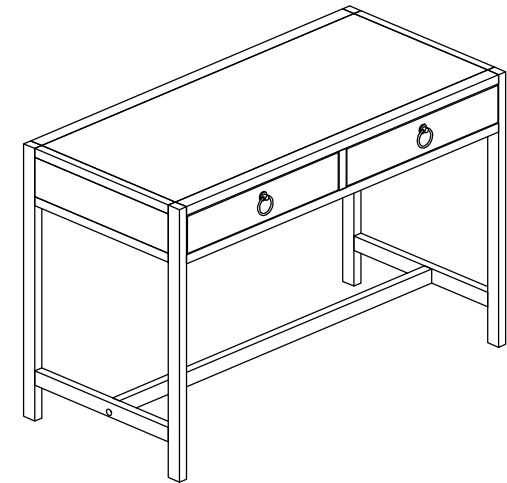
PART LIST AND HARDWARE LIST

PART LIST AND HARDWARE LIST			
A	DRAWER		1X
B	TABLE LEG (LEFT & RIGHT)		2X
C	STRETCHER		1X
HW1	SHORT BOLT	6.3*1.3*35 mm 	10X
HW2	SPRING WASHER	8.5 mm 	10X
HW3	SMALL WASHER	8.5*16 mm 	10X
HW4	ALLEN KEY	4 mm 	1X
HW5	ANTI TIP KIT		1X

 **SAFAVIEH**
FURNITURE

Model #: DSK9200

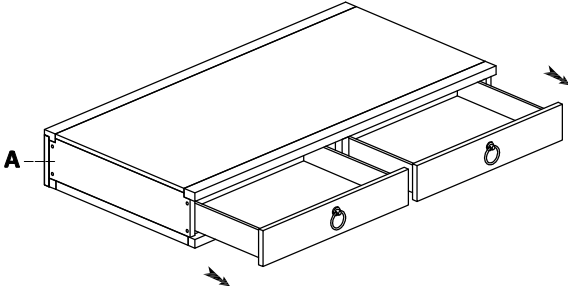
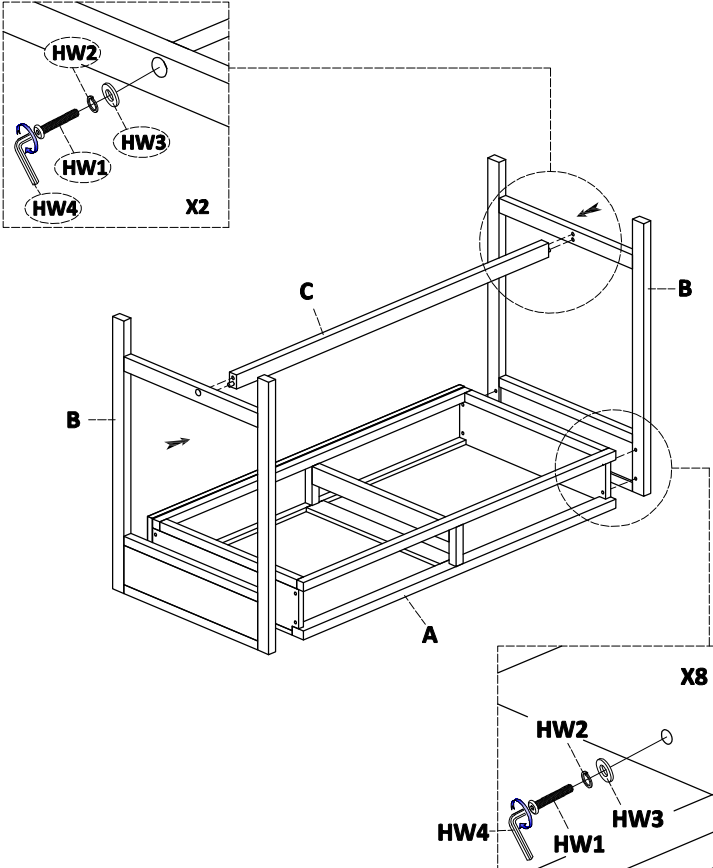
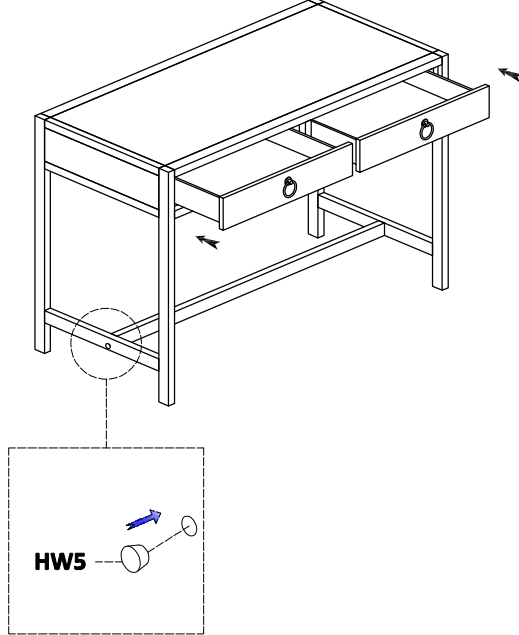
Product Dimensions: 46"W x 22"D x 30"H



Weight capacity: 175lbs
WARNING: DO NOT STAND ON TABLE
WARNING: DO NOT OVER TORQUE BOLTS

PREPARATION

- * Before beginning assembly of product, make sure all parts are present. Compare parts with package contents list and hardware contents list.
- * If any part is missing or damaged, do not attempt to assemble the product.
- * Estimated Assembly Time: 10 minutes.
- * Tools Required for Assembly (included): Allen Key
- * If you are having difficulty, our friendly Customer Care team is always here to help. Please email customersupport@safavieh.com

		
<p>Step 1: Remove both drawer cabinets before assembling the item</p>	<p>Step 2: Attach table legs (B) to drawer (A) and attach stretcher (C) in between the legs. Secure it using bolts (HW1), spring washers (HW2), washers (HW3) and allen key (HW4).</p>	<p>Step 3: Place drawer cabinets into drawer. Insert the wooden plug (HW5) into the bolt holes.</p>