

CARE AND MAINTENANCE

Spot clean using a mild water-free solvent. Only a professional cleaner should undertake a complete overall cleaning.
The use of steam or water-based cleaners may cause excessive shrinking or staining.

NOTICE

- * Please make sure that you have all parts indicated before you begin assembly of this item.
- * This item should be assembled on a soft surface to prevent scratching the finish during assembly.
- * This item may require periodic tightening.

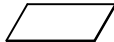



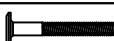



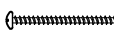
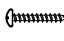



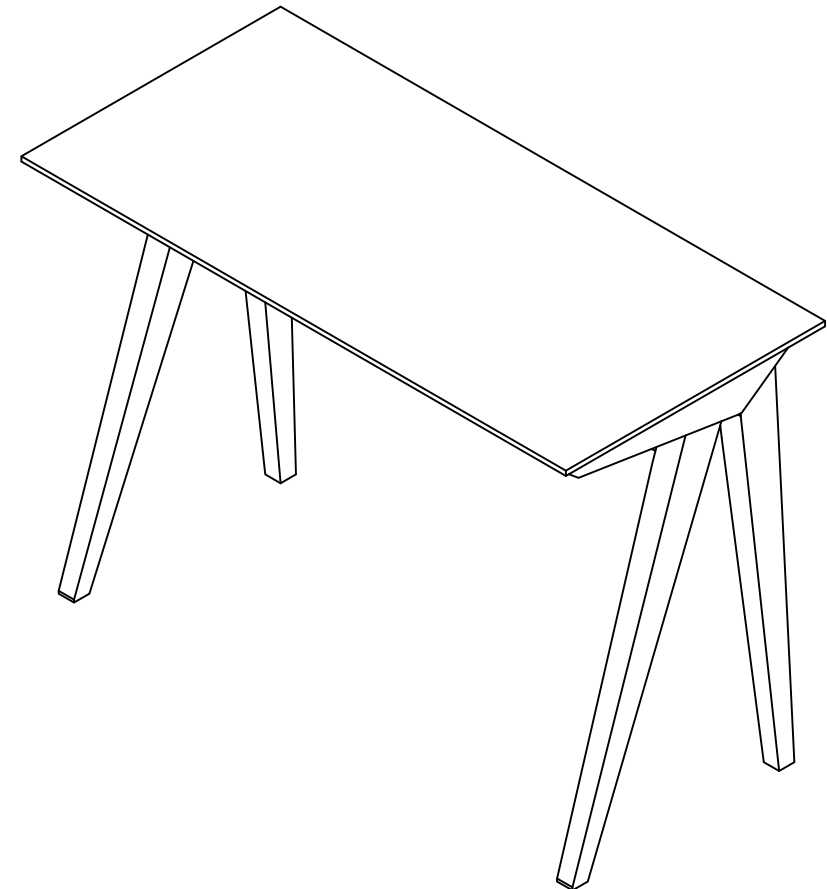
Model# DSK5002

Product Dimensions: 42" W x 20" D x 29 1/2" H

Weight Capacity: 100lbs

Part List and Hardware List

PIECE	DESCRIPTION	PICTURE	QUANTITY
A	TOP PANEL		1X
B	LEFT LEG ASSEMBLY		1X
C	RIGHT LEG ASSEMBLY		1X
D	STRETCHER		2X
HW1	60mm HEAD CAP BOLT		4X
HW2	SPRING WASHER		4X
HW3	FLAT WASHER		4X
HW4	ALLEN KEY		1X
HW5	2" ROUND HEAD SCREW		2X
HW6	1" ROUND HEAD SCREW		4X
HW7	WOODEN DOWEL		8X



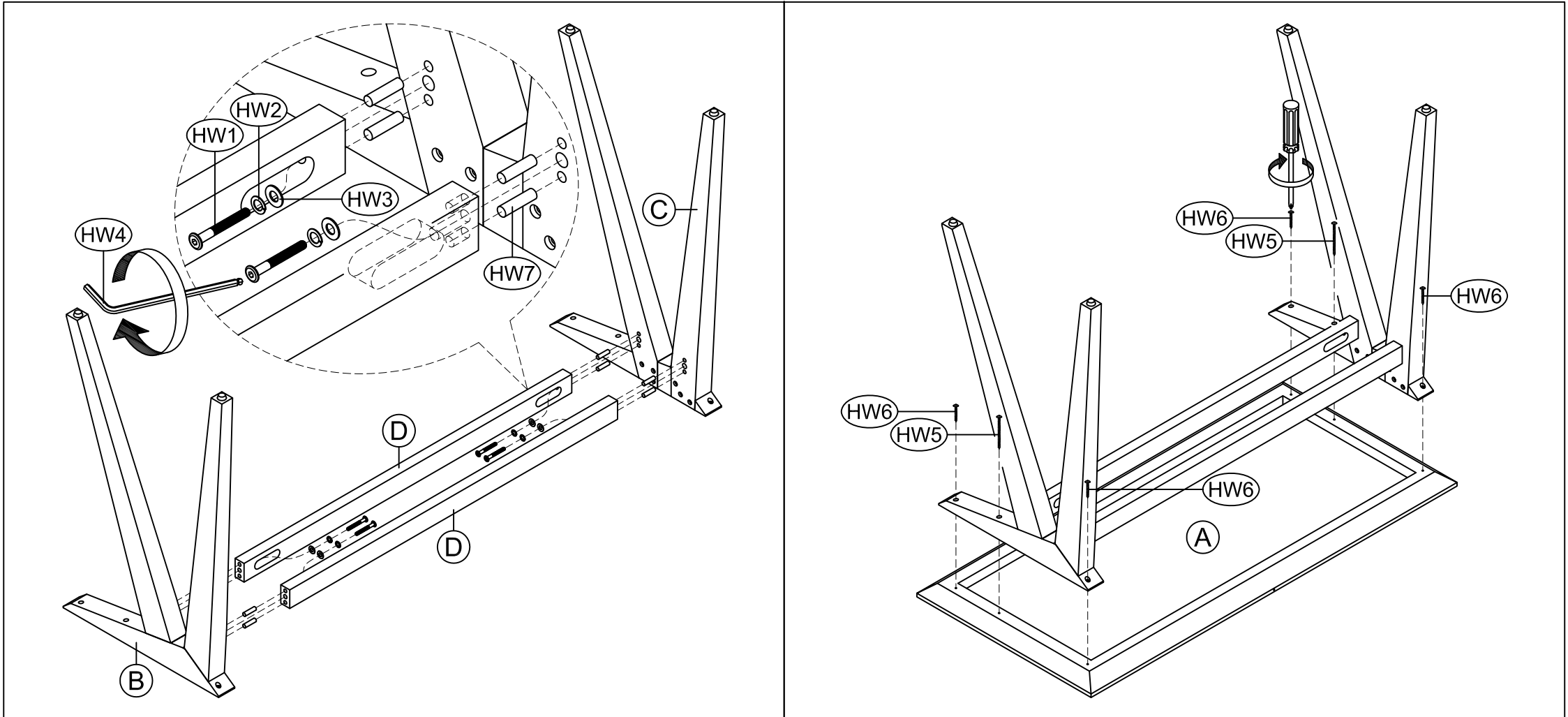
PREPARATION

Before beginning assembly of product, make sure all parts are present. Compare parts with package contents list and hardware contents list.

If any part is missing or damaged, do not attempt to assemble the product.

Estimated Assembly Time: 30 minutes.

Tools Required for Assembly : Phillips Screwdriver



STEP 1 ATTACH LEFT AND RIGHT LEG ASSEMBLIES TO STRETCHERS USING 60mm HEAD CAP BOLTS, SPRING WASHERS, FLAT WASHERS AND WOODEN DOWELS. TIGHTEN BOLTS USING ALLEN KEY.

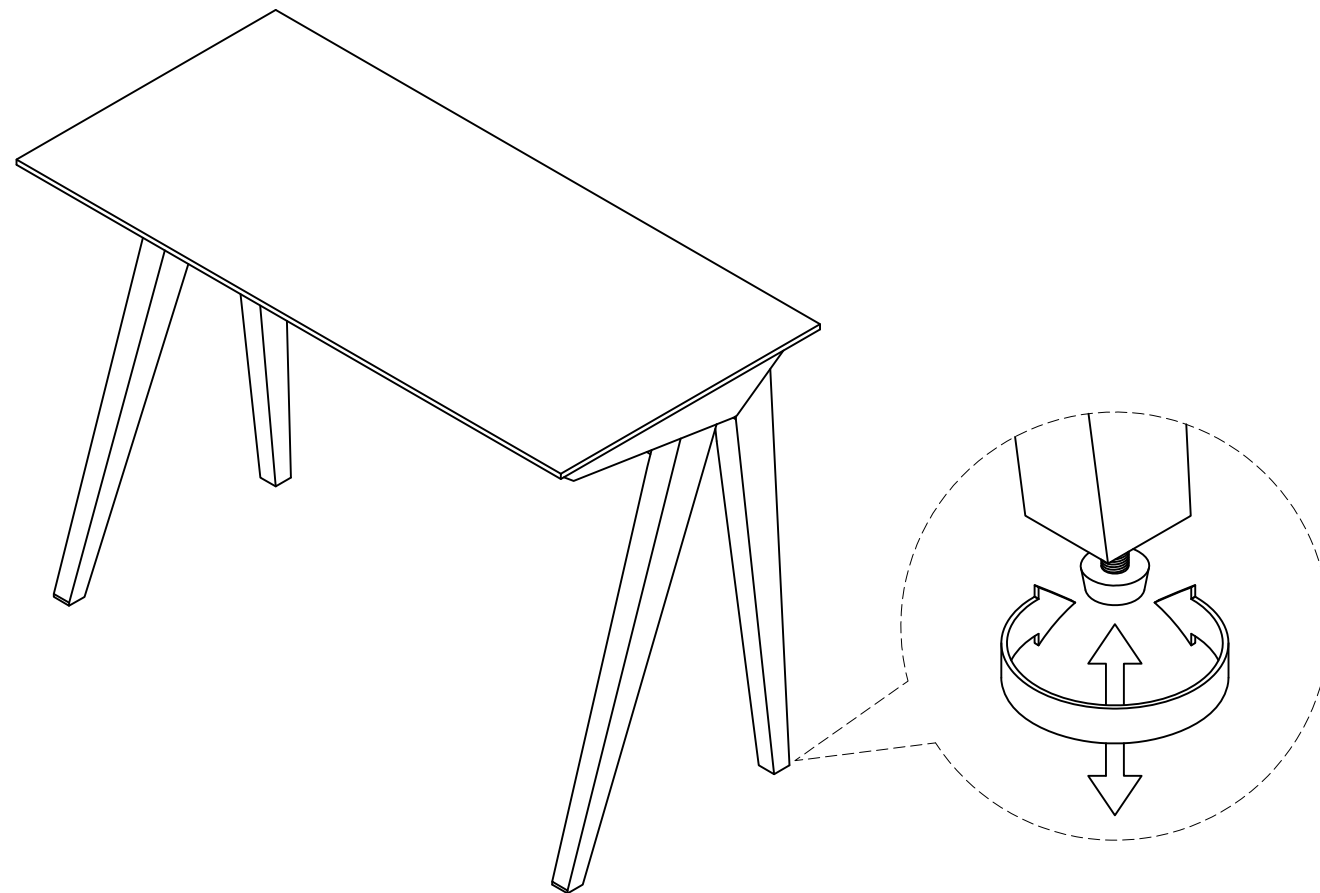
STEP 2 ATTACH TOP PANEL TO UNIT USING 2" AND 1" ROUND HEAD SCREWS.

PREPARATION

Before beginning assembly of product, make sure all parts are present. Compare parts with package contents list and hardware contents list. If any part is missing or damaged, do not attempt to assemble the product.

Estimated Assembly Time: 30 minutes.

Tools Required for Assembly : Phillips Screwdriver



STEP 3 ADJUST THE ADJUSTER BOLT THAT HAS ALREADY ASSEMBLED TO THE LEGS TO STABILIZE YOUR UNIT