

CARE AND MAINTENANCE

Always use felt pads under all articles to prevent discoloration or softening of the lacquer. Plastic and rubber bases on items can discolor wood. Wipe up spills immediately and avoid common hazards such as hot dishes, harsh solvents and abrasives. Cleaning should be done with a soft lint free cotton cloth dampened with water or furniture polish. On highly used surfaces we recommend applying a quality paste wax which should be used on a regular basis to provide additional protection from scratches and spills. How often you apply the wax depends on how much wear the furniture receives.

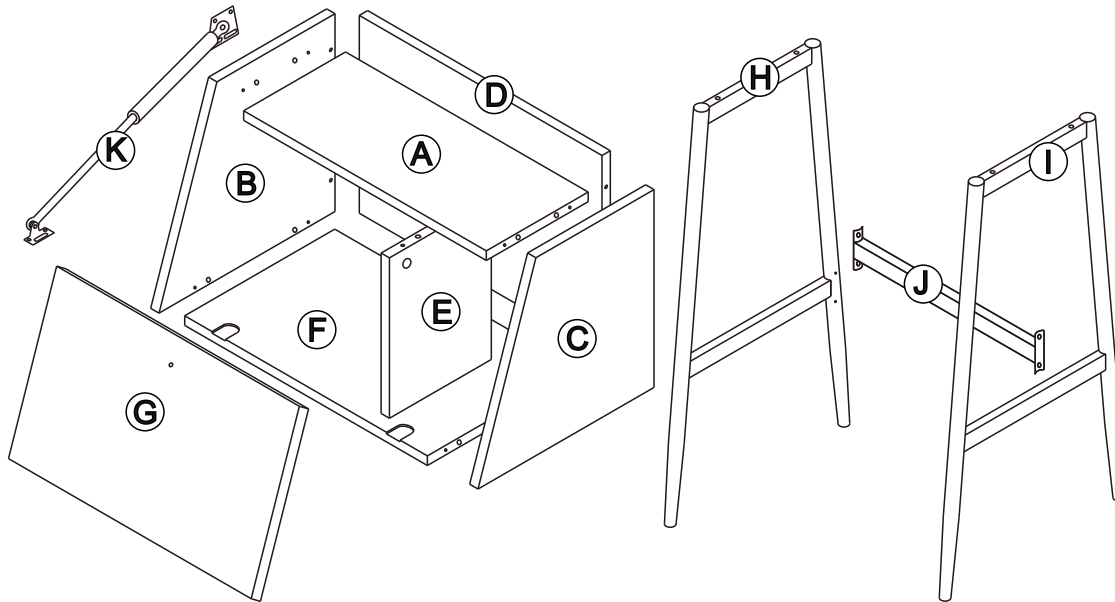
NOTICE

- * Please make sure that you have all parts indicated before you begin assembly of this item
- * This item should be assembled on a soft surface to prevent scratching the finish during assembly
- * This item may require periodic tightening



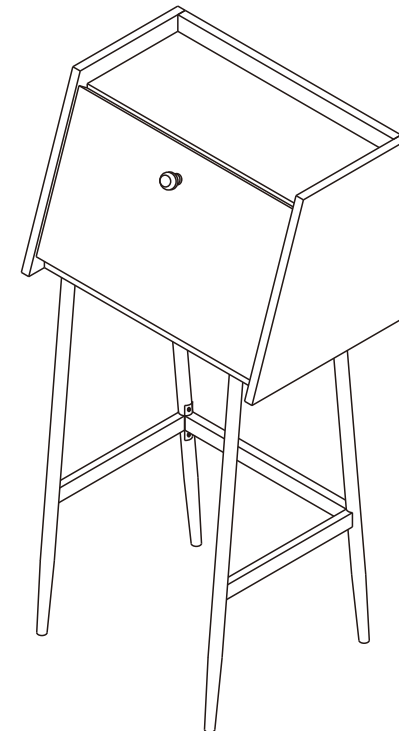
SAFAVIEH
FURNITURE


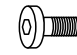
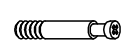

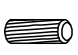
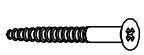
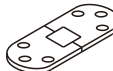









Part List and Hardware List



Model# DSK2203A

Product Dimensions: 22.0"W×15.0"D×44.5"H



HW1x4  6x40mm	HW2x4  6x12mm	HW3x14 	HW4x14 	HW5x16 	HW6x2 	HW7x2 	HW8x12  3.5x12mm
HW9x1 	HW10x1 	HW11x1 	HW12x8  4x16mm	HW13x1  4x40mm	HW14x1 	HW15x2 	HW16x1 

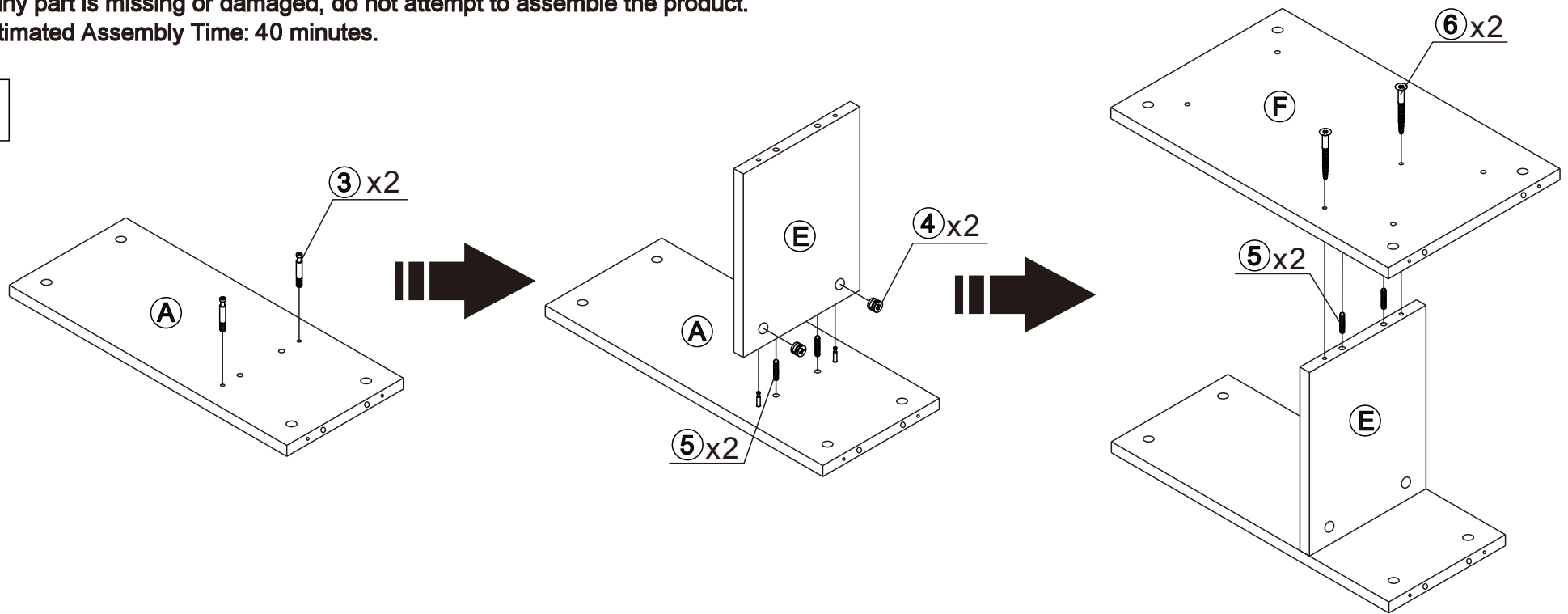
PREPARATION

Before beginning assembly of product, make sure all parts are present. Compare parts with package contents list and hardware contents list.

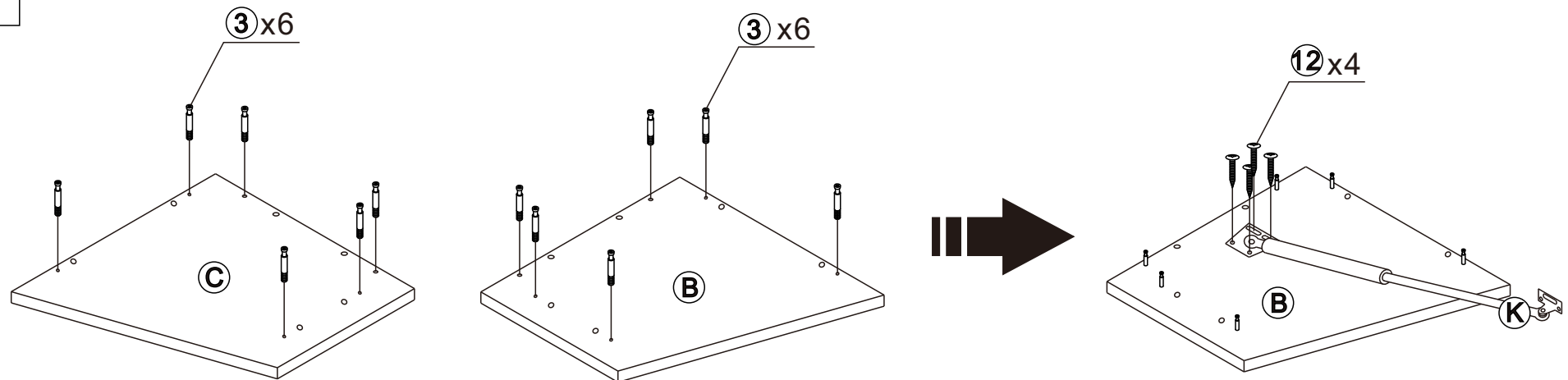
If any part is missing or damaged, do not attempt to assemble the product.

Estimated Assembly Time: 40 minutes.

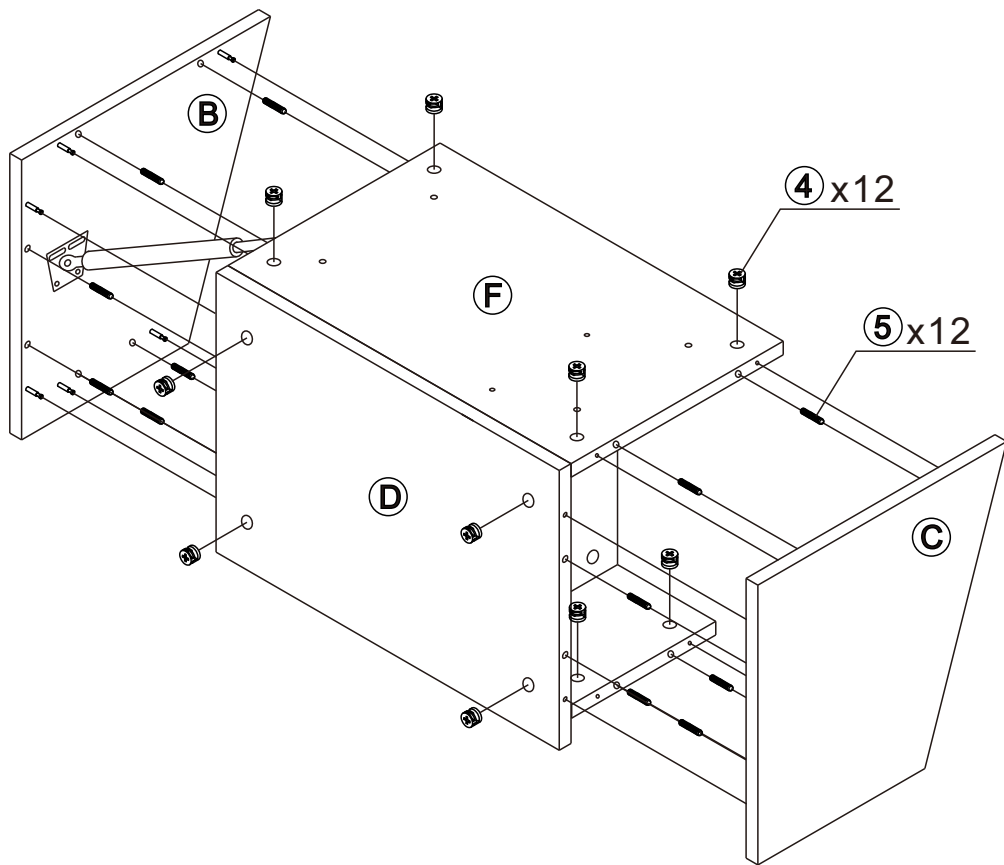
1



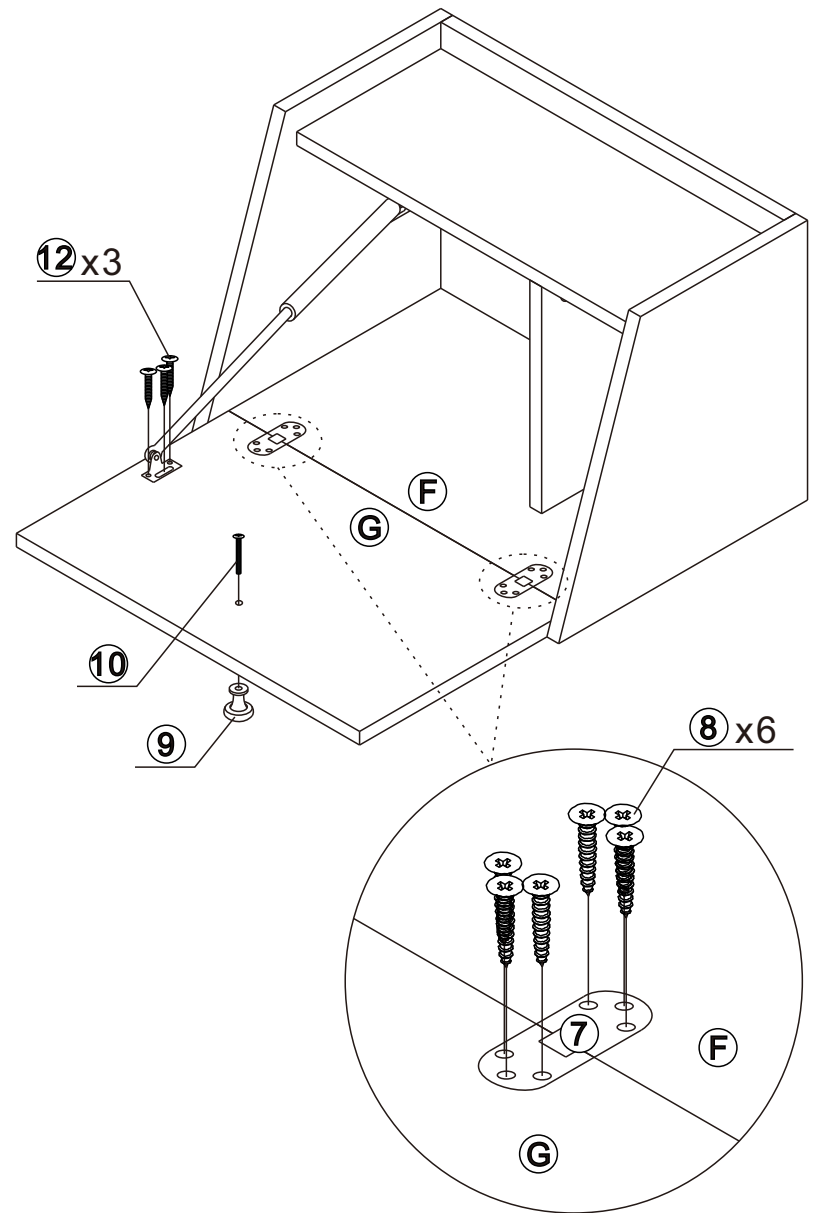
2



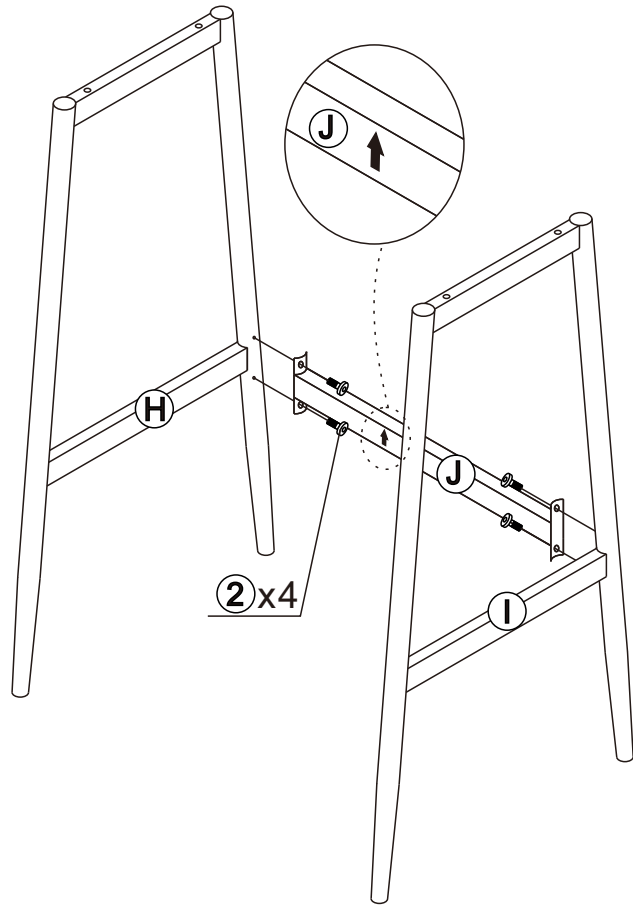
3



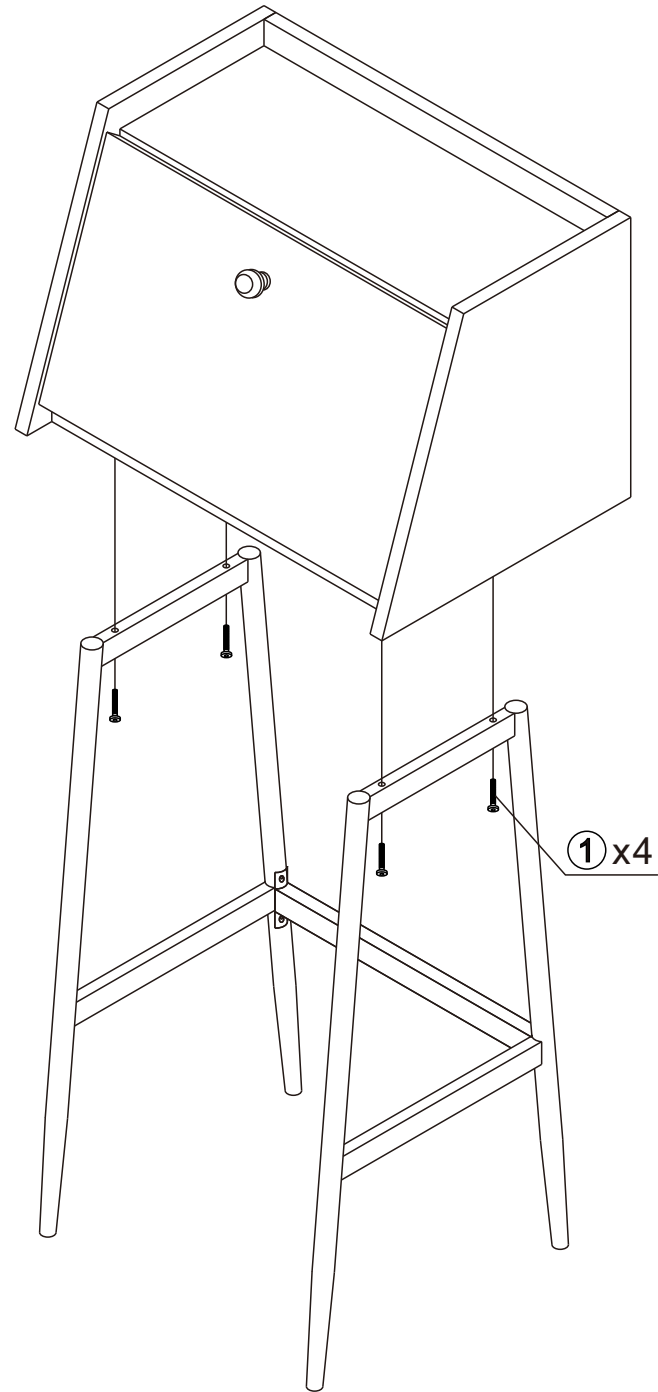
4



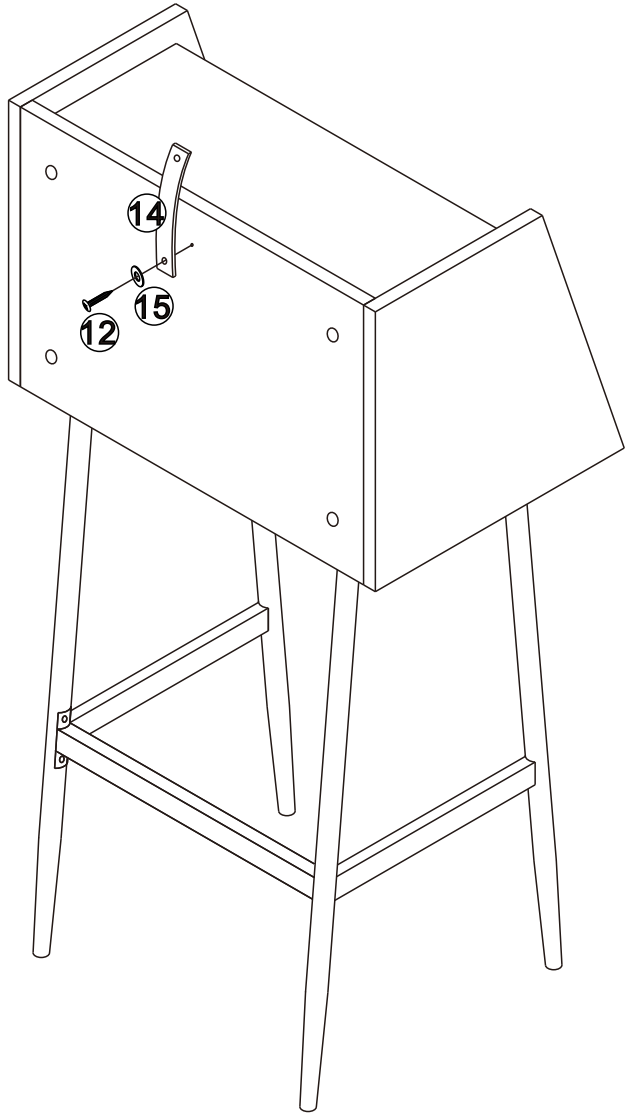
5



6



7



8

