







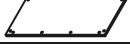


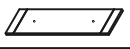






## CARE AND MAINTENANCE

Spot clean using a mild water-free solvent. Only a professional cleaner should undertake a complete overall cleaning.  
The use of steam or water-based cleaners may cause excessive shrinking or staining.

## NOTICE

- \* Please make sure that you have all parts indicated before you begin assembly of this item.
- \* This item should be assembled on a soft surface to prevent scratching the finish during assembly.
- \* This item may require periodic tightening.

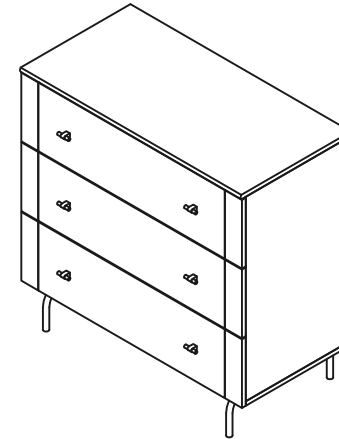
### Part List and Hardware List










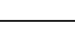
PIECE	DESCRIPTION	PICTURE	QUANTITY
A	TOP PANEL		1X
B	LEFT ASSEMBLY		1X
C	RIGHT ASSEMBLY		1X
D	FRONT APRON		1X
E	BOTTOM PANEL		1X
F	UPPER BACK PANEL		1X
G	LOWER BACK PANEL		1X
H	LEG FRAME		2X
I	LEG STRETCHER		2X
J	DRAWER FRONT		3X
K	DRAWER LEFT		3X
L	DRAWER RIGHT		3X
M	DRAWER BACK		3X
N	DRAWER BASE		3X
O	DRAWER SUPPORT		6X
P	FRONT FRAME		2X

# SAFAVIEH FURNITURE

Model# DRS5000

Product Dimensions: 36"W x 18"D x 36"H



PIECE	DESCRIPTION	PICTURE	QUANTITY
1	40 MM BOLT	M6x40mm 	4X
2	1" ROUND HEAD SCREW	M4x25mm 	13X
3	1 1/4" FLAT HEAD SCREW	M3x32mm 	54X
4	3/4" FLAT HEAD SCREW	M3x19mm 	18X
5	CAMBOLT		44X
6	CAMLOCK		44X
7	HANDLE		6X
8	MACHINE SCREW	M4x22mm 	6X
9	WOODEN DOWEL		8X
10	ALLEN KEY		1X

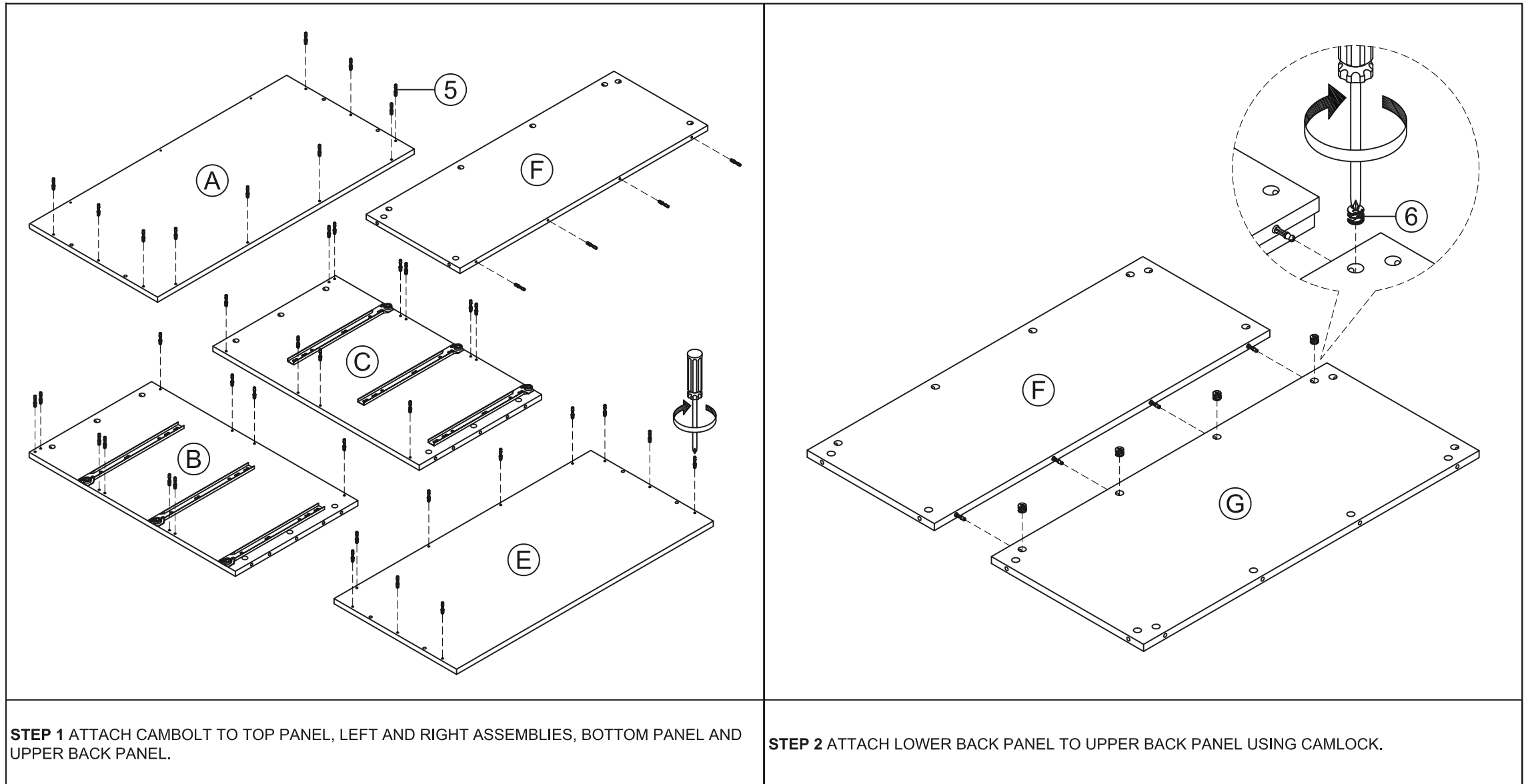
## PREPARATION

Before beginning assembly of product, make sure all parts are present. Compare parts with package contents list and hardware contents list.

If any part is missing or damaged, do not attempt to assemble the product.

Estimated Assembly Time: 60 minutes.

Tools Required for Assembly : Phillips Screwdriver



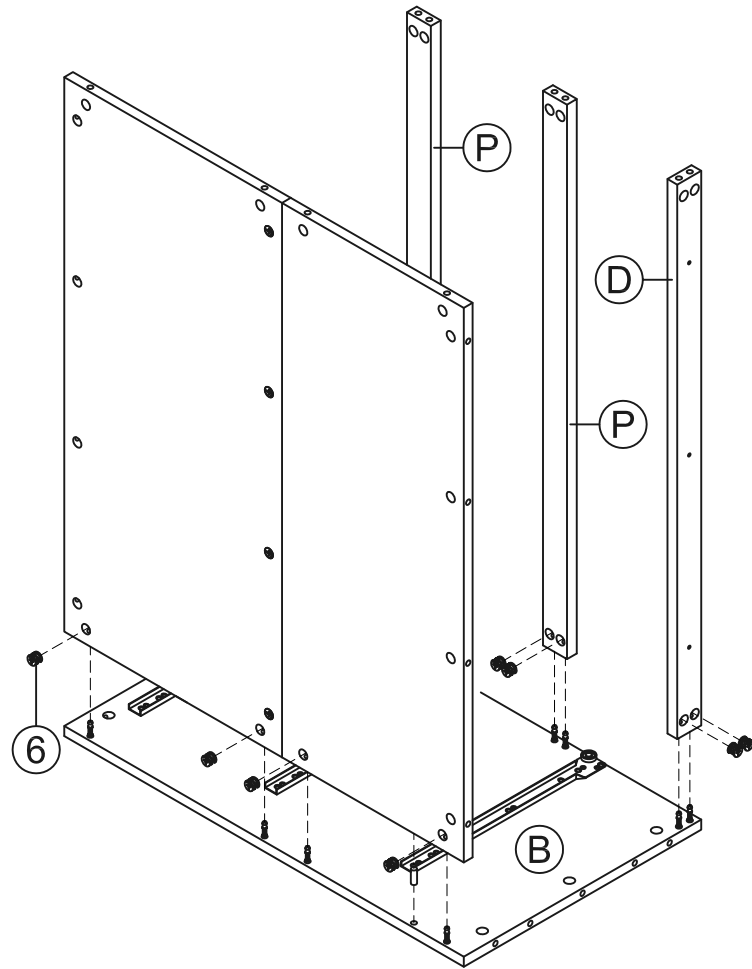
## PREPARATION

Before beginning assembly of product, make sure all parts are present. Compare parts with package contents list and hardware contents list.

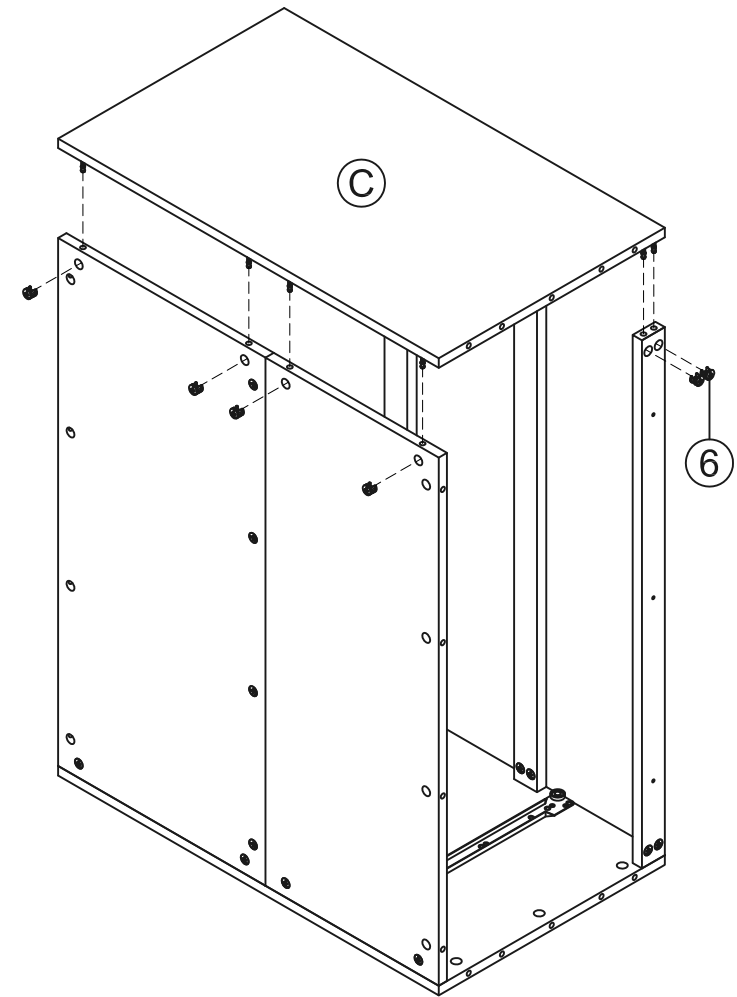
If any part is missing or damaged, do not attempt to assemble the product.

Estimated Assembly Time: 60 minutes.

Tools Required for Assembly : Phillips Screwdriver



**STEP 3** ATTACH FRONT FRAME, FRONT APRON AND UNIT FROM STEP 2 TO LEFT ASSEMBLY USING CAMLOCK.



**STEP 4** ATTACH RIGHT ASSEMBLY TO UNIT USING CAMLOCK.

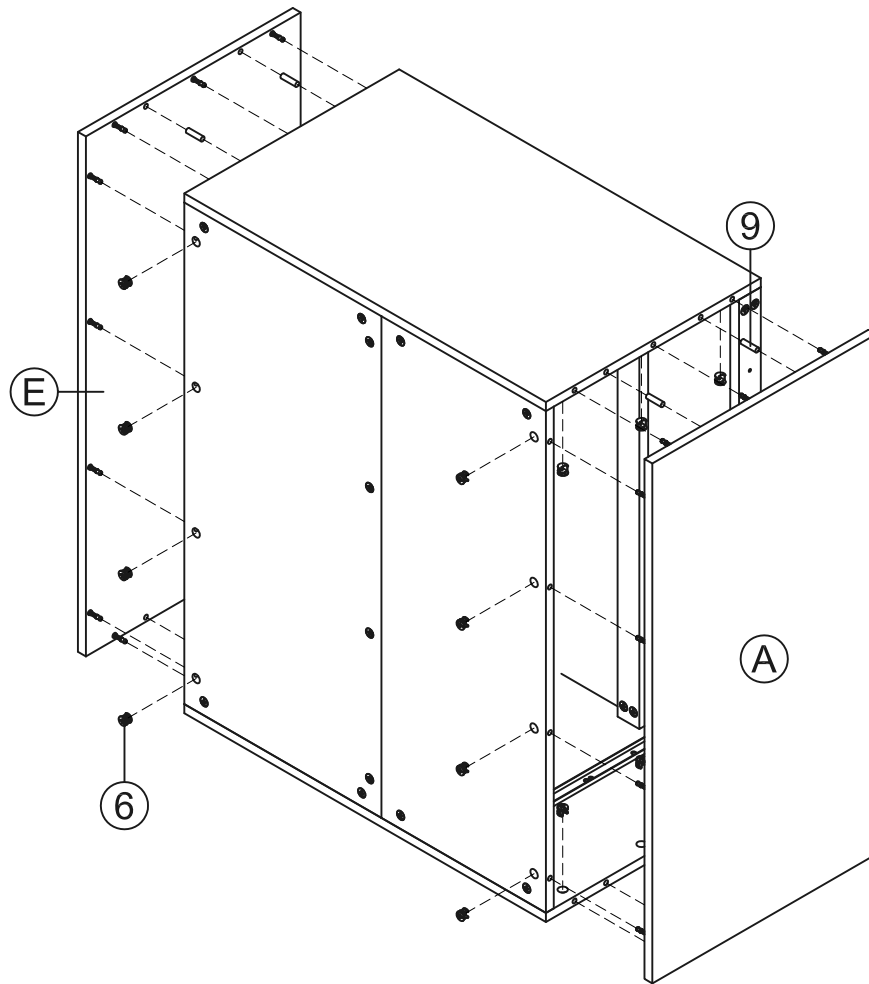
## PREPARATION

Before beginning assembly of product, make sure all parts are present. Compare parts with package contents list and hardware contents list.

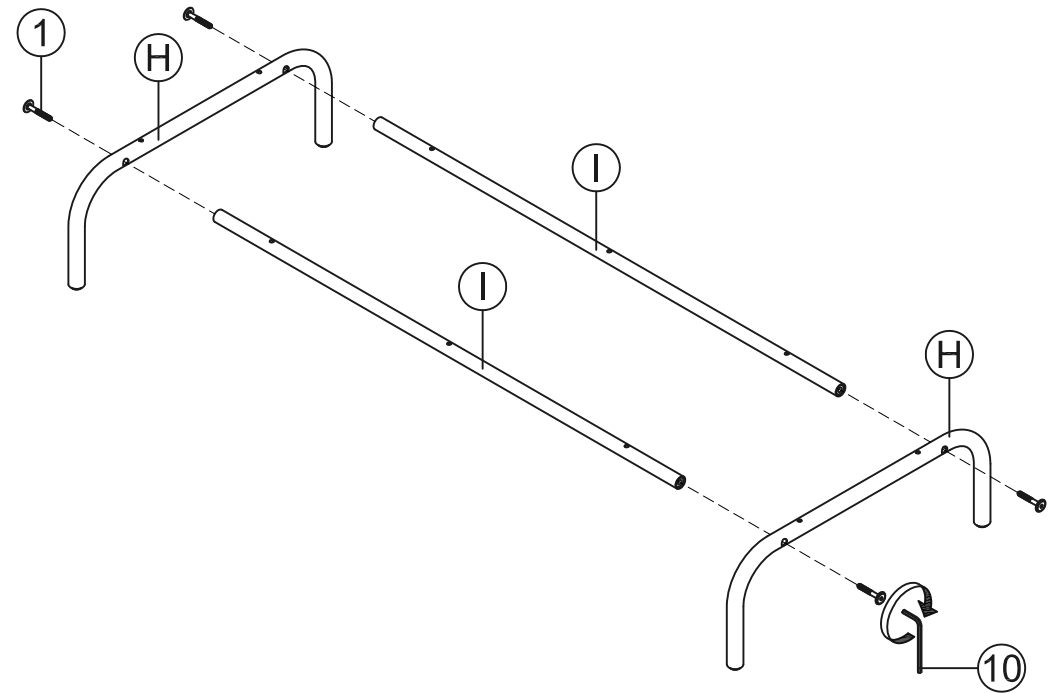
If any part is missing or damaged, do not attempt to assemble the product.

Estimated Assembly Time: 60 minutes.

Tools Required for Assembly : Phillips Screwdriver



**STEP 5** ATTACH TOP AND BOTTOM PANEL TO UNIT USING CAMLOCK AND WOODEN DOWEL.



**STEP 6** ATTACH LEG STRETCHER TO LEG FRAME USING 40 MM BOLT. TIGHTEN IT USING ALLEN KEY.

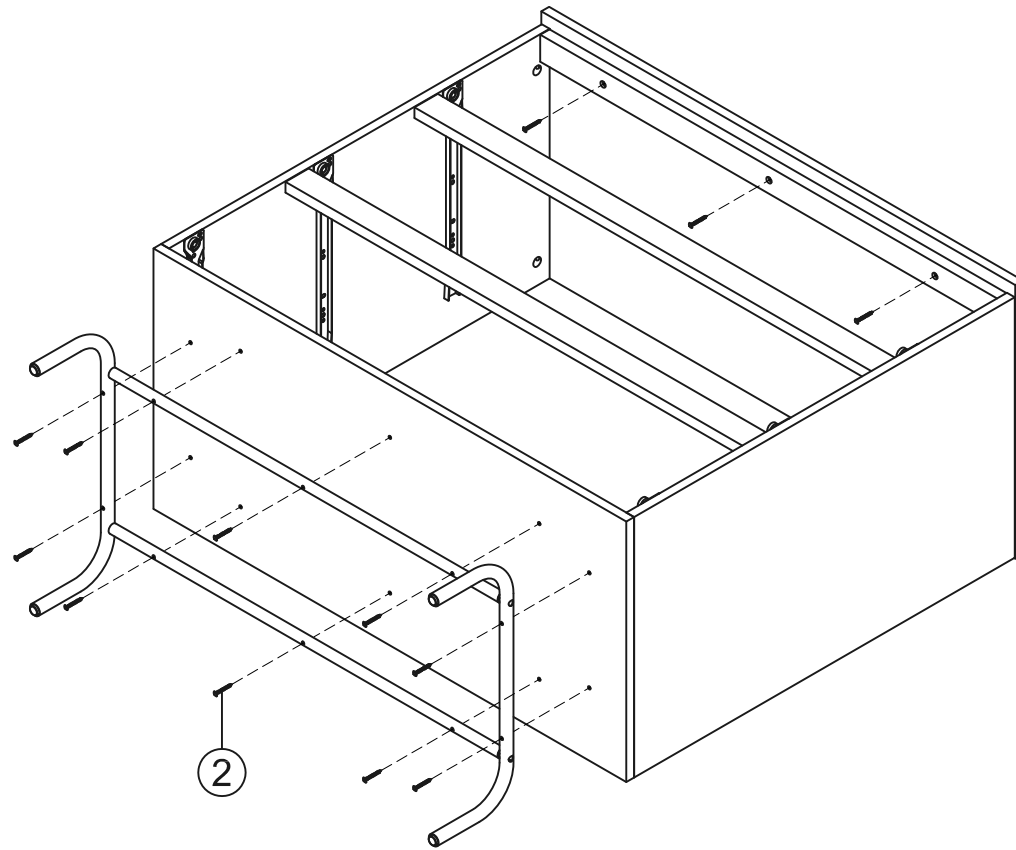
## PREPARATION

Before beginning assembly of product, make sure all parts are present. Compare parts with package contents list and hardware contents list.

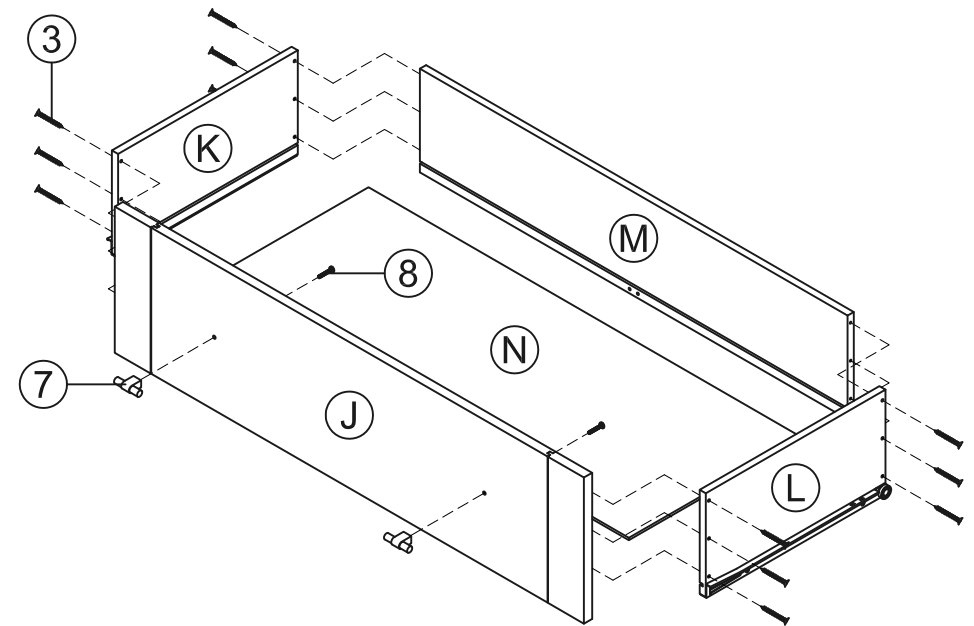
If any part is missing or damaged, do not attempt to assemble the product.

Estimated Assembly Time: 60 minutes.

Tools Required for Assembly : Phillips Screwdriver



**STEP 7** ATTACH UNIT FROM STEP 6 TO UNIT FROM STEP 5 USING 1" ROUND HEAD SCREW. ATTACH 1" ROUND HEAD SCREW THROUGH FRONT APRON TO STRENGTHEN ITS CONSTRUCTION.



**STEP 8** ATTACH HANDLE TO DRAWER FRONT USING MACHINE SCREW. ATTACH DRAWER LEFT AND RIGHT TO DRAWER BACK USING 1 1/4" FLAT HEAD SCREWS. SLIDE DRAWER BASE INTO THE GROOVE. ATTACH DRAWER FRONT TO DRAWER LEFT AND RIGHT USING 1 1/4" FLAT HEAD SCREWS.

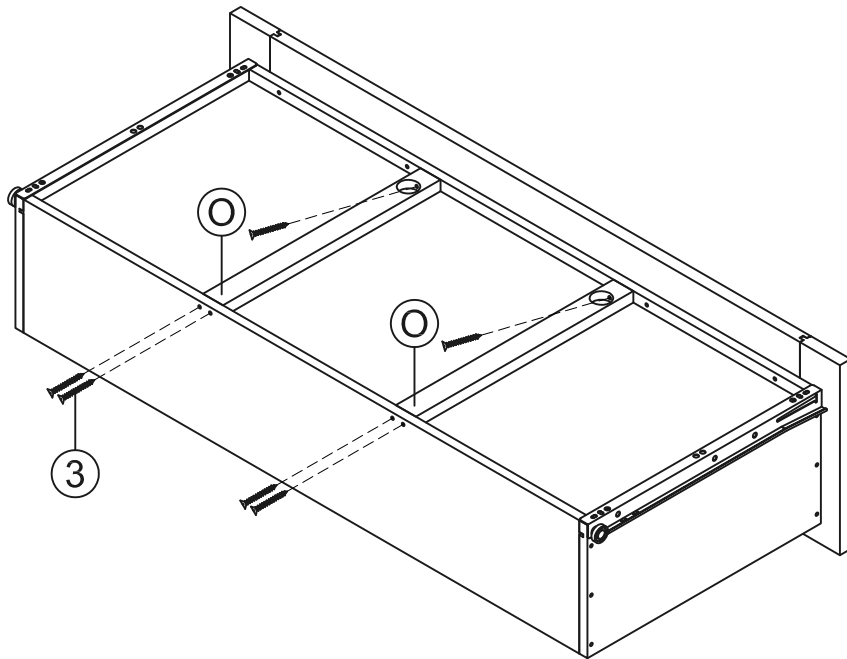
## PREPARATION

Before beginning assembly of product, make sure all parts are present. Compare parts with package contents list and hardware contents list.

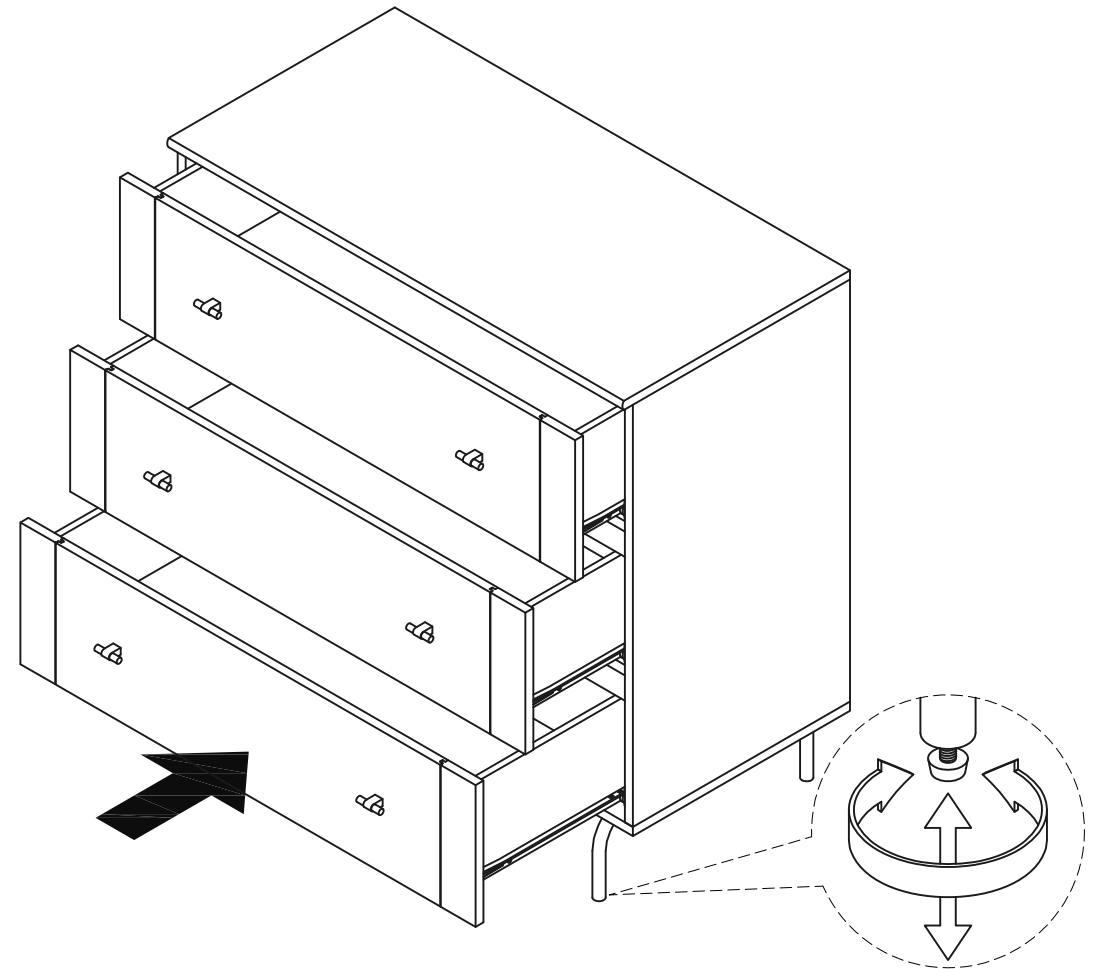
If any part is missing or damaged, do not attempt to assemble the product.

Estimated Assembly Time: 60 minutes.

Tools Required for Assembly : Phillips Screwdriver



**STEP 9** ATTACH DRAWER SUPPORT TO UNIT USING 1 1/4" FLAT HEAD SCREWS.



**STEP 10** SLIDE THE DRAWERS INTO UNIT. ADJUST THE ADJUSTER THAT HAS ALREADY BEEN ASSEMBLED TO THE LEGS TO STABILIZE YOUR UNIT.

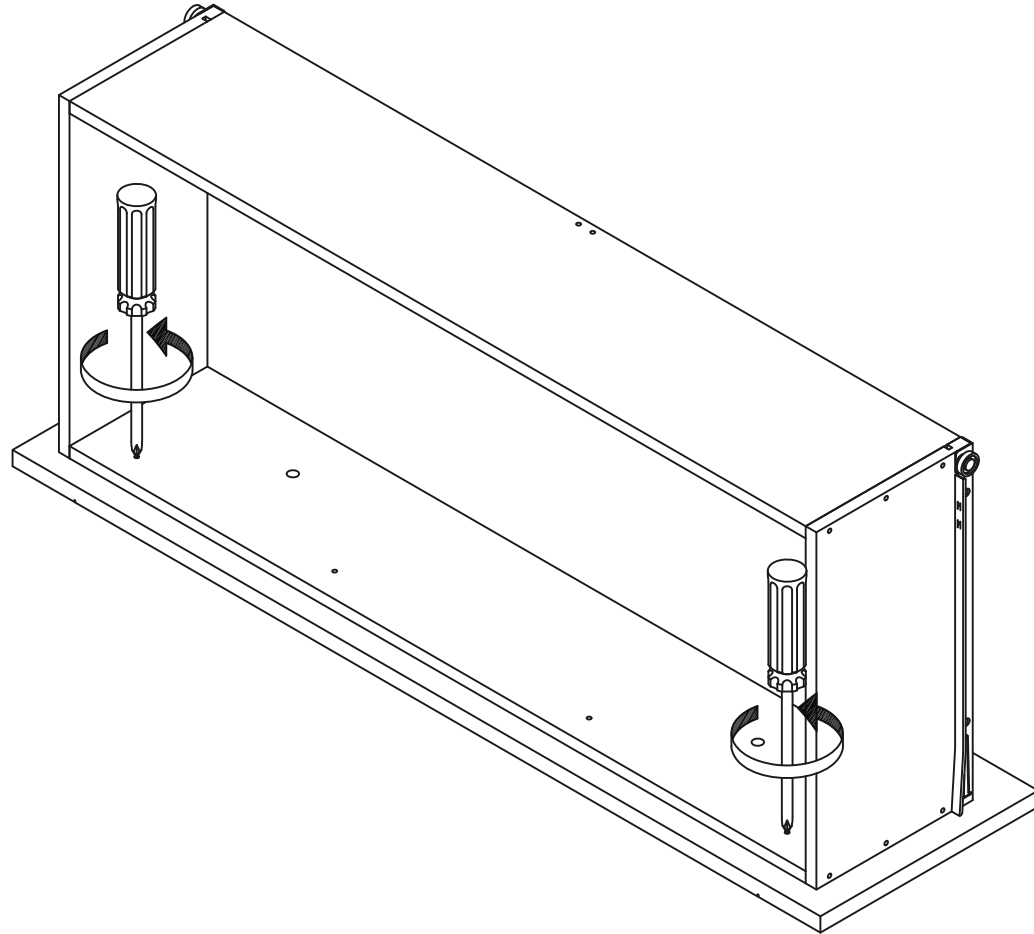
## PREPARATION

Before beginning assembly of product, make sure all parts are present. Compare parts with package contents list and hardware contents list.

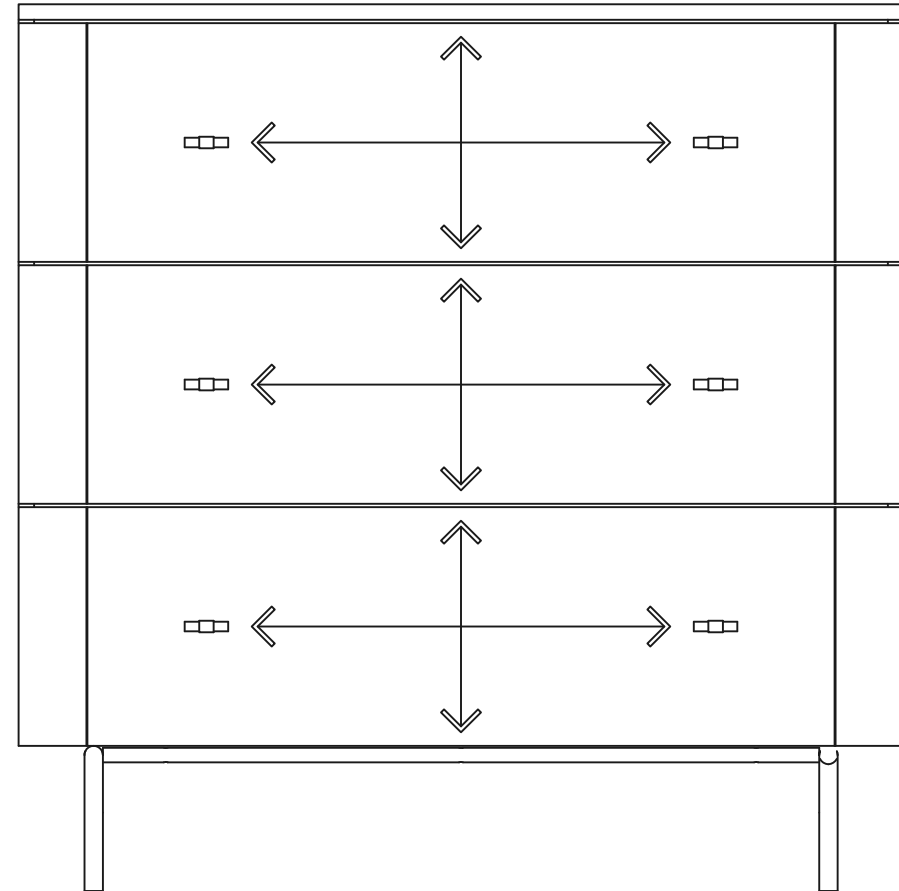
If any part is missing or damaged, do not attempt to assemble the product.

Estimated Assembly Time: 60 minutes.

Tools Required for Assembly : Phillips Screwdriver



**STEP 11** REMOVE DRAWERS FROM UNIT. LOOSEN SLIGHTLY THE SCREWS PRE-INSTALLED ON THE BACK OF THE DRAWER FRONTS.



**STEP 12** INSERT THE DRAWER INTO THE UNIT, THEN ADJUST THE DRAWER FRONT PANEL LEFT OR RIGHT AND UP OR DOWN UNTIL THE DRAWER GAPS LOOK PROPORTIONAL.

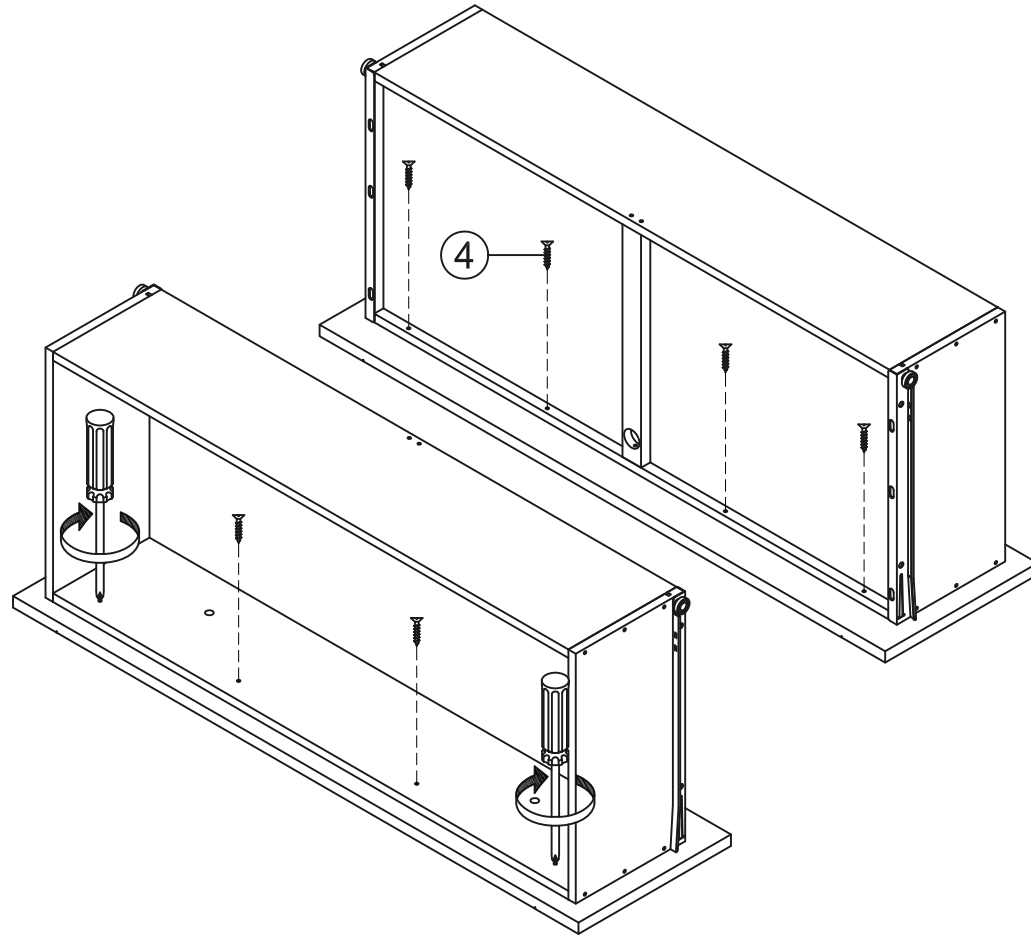
## PREPARATION

Before beginning assembly of product, make sure all parts are present. Compare parts with package contents list and hardware contents list.

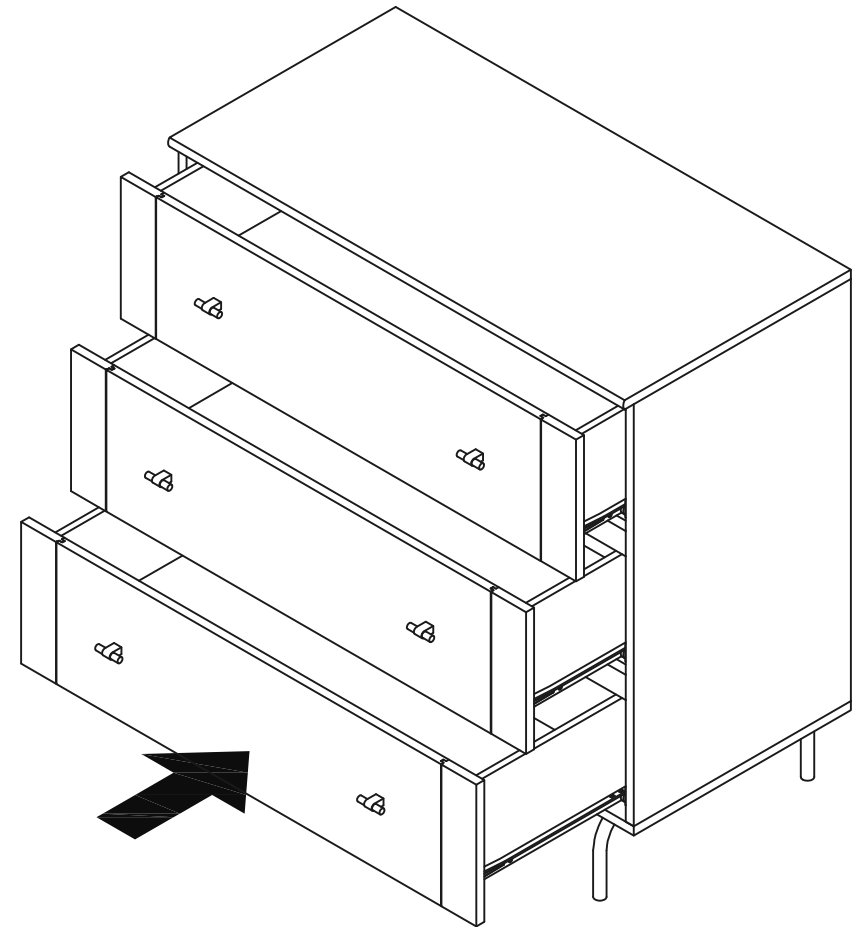
If any part is missing or damaged, do not attempt to assemble the product.

Estimated Assembly Time: 60 minutes.

Tools Required for Assembly : Phillips Screwdriver



**STEP 13** PULL THE DRAWER OPEN SLOWLY AND RE-TIGHTEN THE SCREWS FROM STEP 12. MAKE SURE THE FRONT PANEL DOES NOT MOVE AND LOCK THE DRAWER FRONT PANEL INTO POSITION WITH 3/4" FLAT HEAD SCREWS.



**STEP 14** SLIDE THE DRAWERS INTO UNIT.