

CARE AND MAINTENANCE

Spot clean using a mild water-free solvent. Only a professional cleaner should undertake a complete overall cleaning.

The use of steam or water-based cleaners may cause excessive shrinking or staining.

NOTICE

* Please make sure that you have all parts indicated before you begin assembly of this item

* This item should be assembled on a soft surface to prevent scratching the finish during assembly

* This item may require periodic tightening.

Part List and Hardware List

PIECE	DESCRIPTION	PICTURE	QUANTITY
A	TABLE TOP		1X
B	TABLE LEG (L&R)		2X
C	TABLE CROSS BAR		1X
D	BARSTOOL SEAT		2X
E	BARSTOOL LEG		4X
F	BARSTOOL STRETCHER		4X
H1	SEMICIRCLE WASHER		12X
H2	BIG CROSS BOLT	M8 x 45mm 	16X
H3	SMALL CROSS BOLT	M6 x 40mm 	2X
H4	FLAT WASHER		4X
H5	SPRING WASHER		4X
H6	SCREW	4 x 40 MM 	8X
H7	ALLEN KEY		1X

 **SAFAVIEH**
FURNITURE

Model# DNS1000

Product Dimensions: 42.1"W x 17.7" D x 36.2" H



Weight capacity: 200lbs

WARNING: DO NOT STAND ON TABLE

WARNING: DO NOT OVER TORQUE BOLTS

PREPARATION

Before beginning assembly of product, make sure all parts are present. Compare parts with package contents list and hardware contents list.

If any part is missing or damaged, do not attempt to assemble the product.

Estimated Assembly Time: 20 minutes.

Tools Required for Assembly (included): Allen Key

STEP 1

H1  x 4

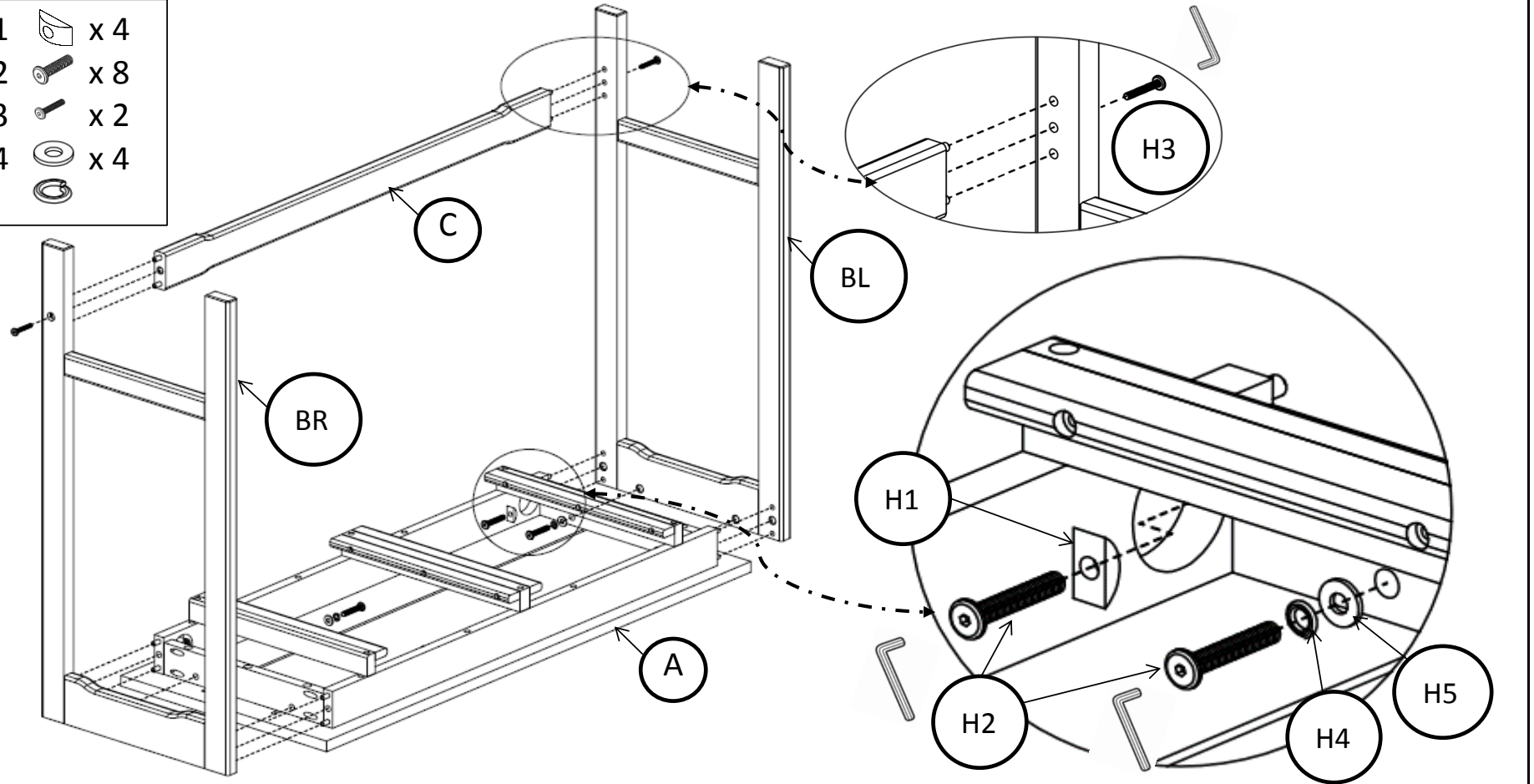
H2  x 8

H3  x 2




H4  x 4

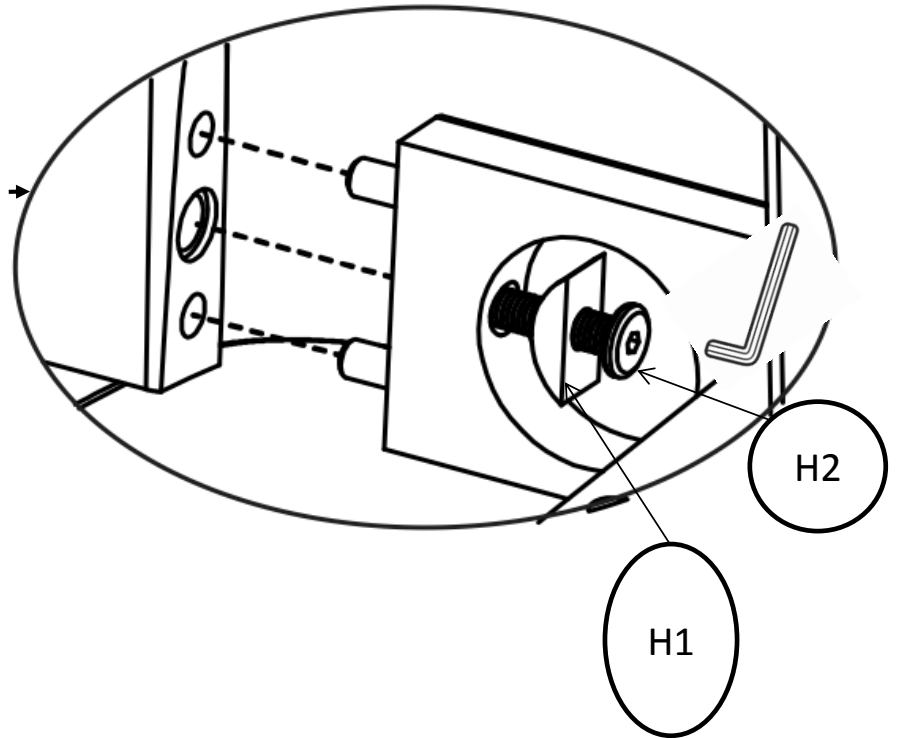
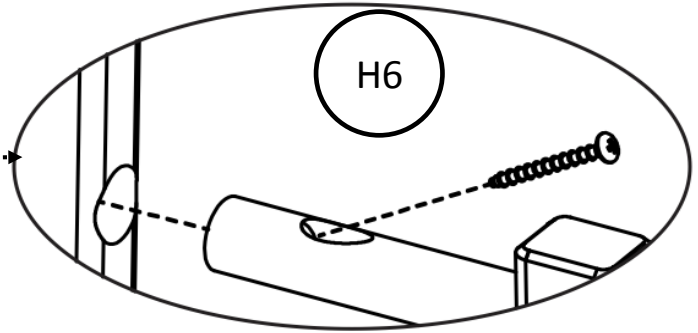
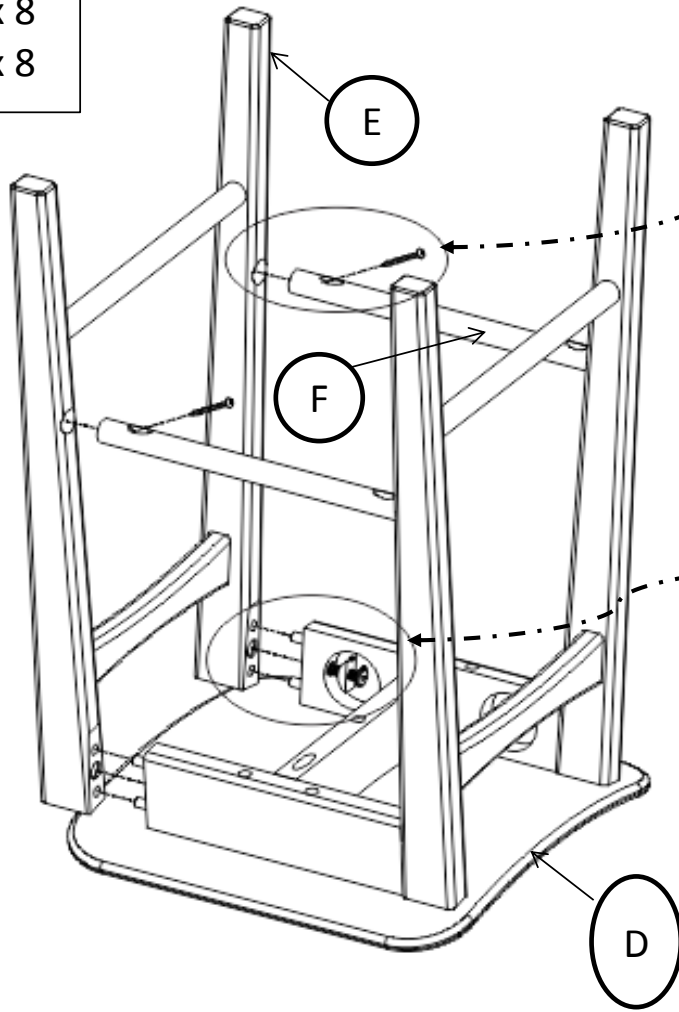


x 4



STEP 2

- H1  x 8
- H2  x 8
- H6  x 8



STEP 3

