

NOTICE

*Please make sure that you have all parts indicated and they are in good condition before you begin assembly of this item. Refer to part list and hardware list below for guidance.

*This item should be assembled on a soft surface to prevent scratching the finish during assembly.

*This item may require periodic tightening.

*If you are having difficulty, our friendly Customer Care team is always here to help. Please email customersupport@safavieh.com.

PREPARATION

* Before beginning assembly of product, make sure all parts are present. Compare parts with part contents list and hardware contents list.

* If any part is missing or damaged, do not attempt to assemble the product.

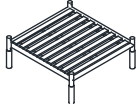



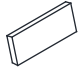
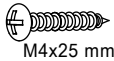
* Estimated Assembly Time: 10 minutes.

*Tools Required for Assembly (included): Allen Key

CARE AND MAINTENANCE

Insert Care and Maintenance here

Part List and Hardware List

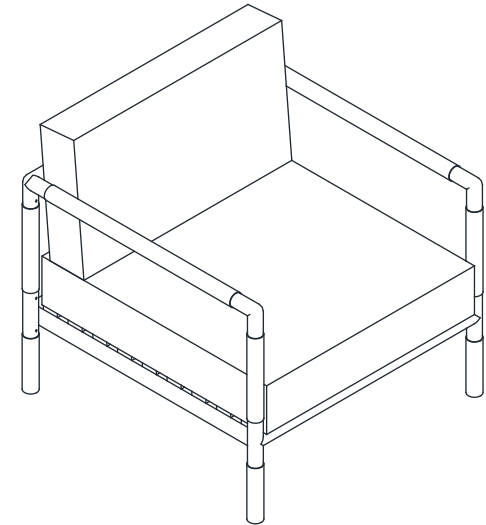
PIECE	DESCRIPTION	PICTURE	QUANTITY
A	Frame Seat		1X
B	Frame Amrest		2X
C	Cross Amrest		1X
CSH1	Seat Cushion		1X
CSH2	Back Cushion		1X
HW1	Screws M4x0.5x25 mm	 M4x25 mm	12X

HW2	Screw Driver		Not Provided
-----	--------------	---	--------------

SAFAVIEH C O U T U R E

Model# CPT1028

Product Dimensions: 32.3" W x 33.1" D x 26" H



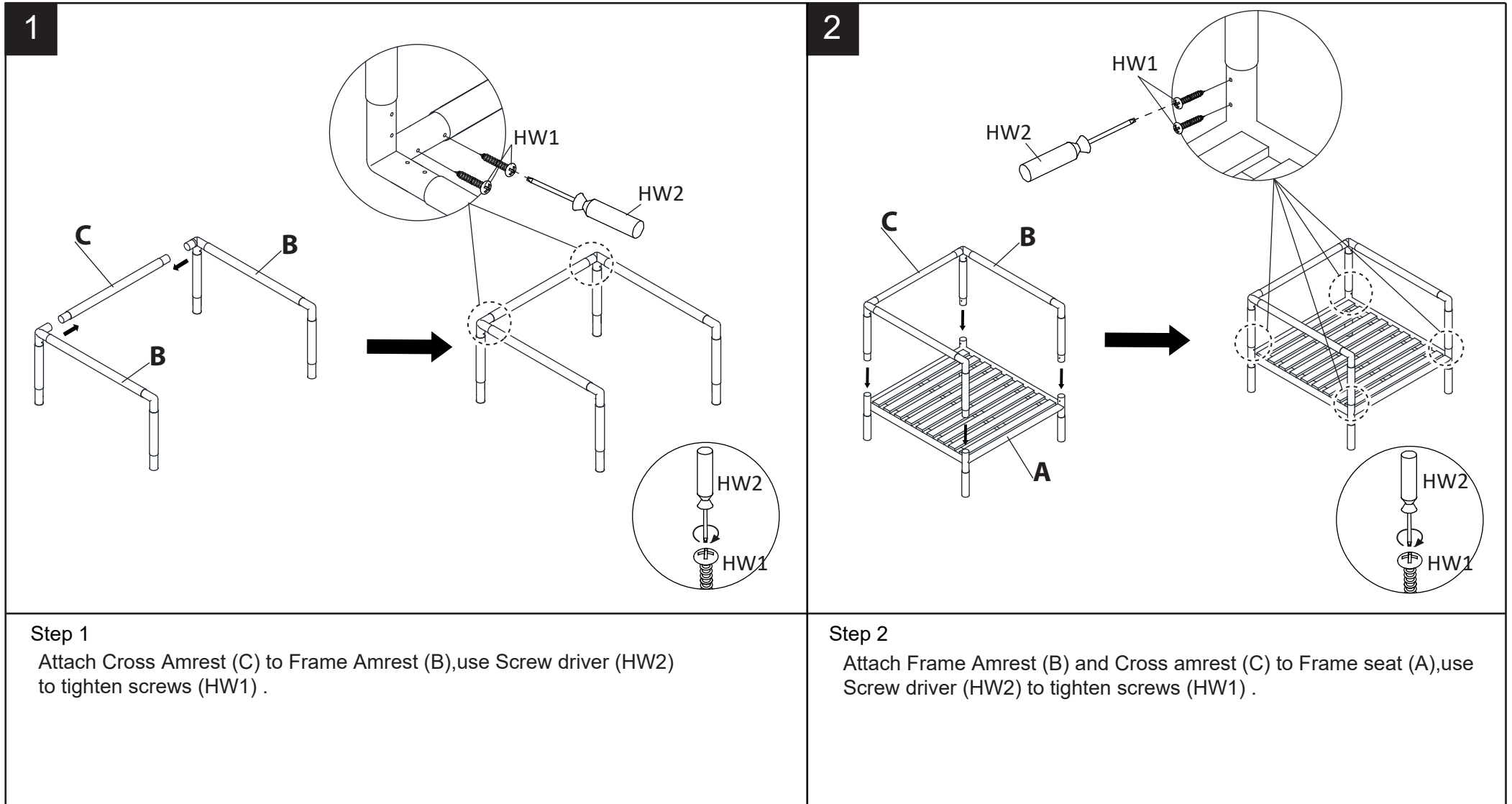
Weight Capacity : 200 lbs

Warning : Do not stand on bench

Warning : Do not over torque bolts / screws

PREPARATION

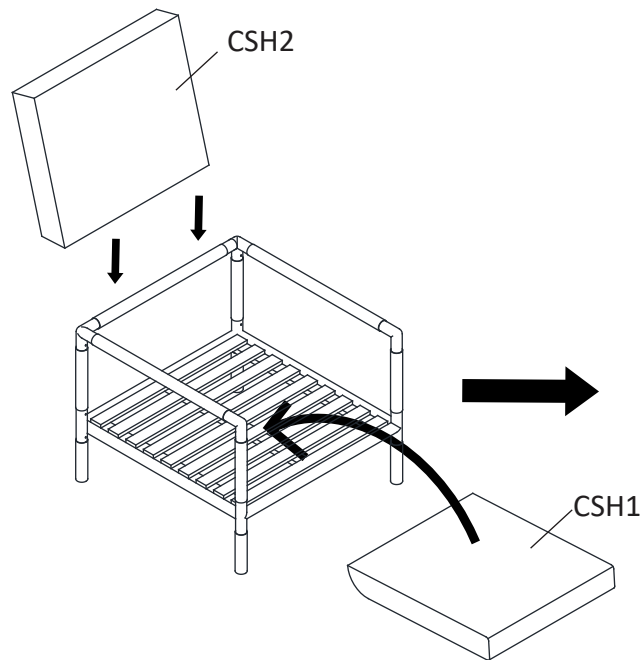
- *Before beginning assembly of product, make sure all parts are present. Compare parts with package contents list and hardware contents list.
- *If any part is missing or damaged, do not attempt to assemble the product.
- * Estimated Assembly Time : 10 minutes.
- * Tools Required for Assembly (included): Allen Key
- * If you are having difficulty, our friendly Customer care team is always here to help. Please email customersupport@safavieh.com.



PREPARATION

- *Before beginning assembly of product, make sure all parts are present. Compare parts with package contents list and hardware contents list.
- *If any part is missing or damaged, do not attempt to assemble the product.
- * Estimated Assembly Time : 10 minutes.
- * Tools Required for Assembly (included): Allen Key
- * If you are having difficulty, our friendly Customer care team is always here to help. Please email customersupport@safavieh.com.

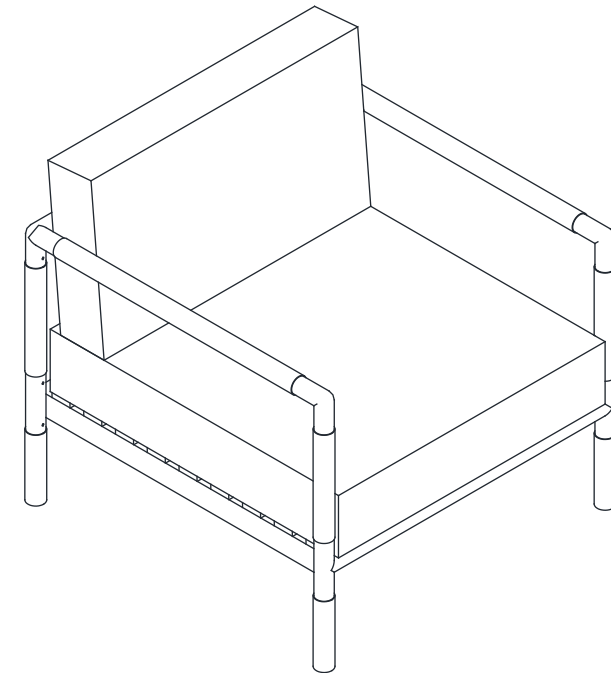
3



Step 3

Attach Ensure all screws are fully locked into position.
Place Seat Cushion (CSH1), Back Cushion (CSH2) into the Chair.
The Chair is ready to be used..

4



Step 4

Caution: This Chair can only be used on a flat, level surface