

## NOTICE

\*Please make sure that you have all parts indicated and they are in good condition before you begin assembly of this item. Refer to part list and hardware list below for guidance.

\*This item should be assembled on a soft surface to prevent scratching the finish during assembly.

\*This item may require periodic tightening.

\*If you are having difficulty, our friendly Customer Care team is always here to help. Please email [customersupport@safavieh.com](mailto:customersupport@safavieh.com).

## PREPARATION

\* Before beginning assembly of product, make sure all parts are present. Compare parts with part contents list and hardware contents list.

\* If any part is missing or damaged, do not attempt to assemble the product.





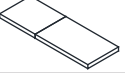


\* Estimated Assembly Time: 10 minutes.

\*Tools Required for Assembly (included): Allen Key

## CARE AND MAINTENANCE

Insert Care and Maintenance here

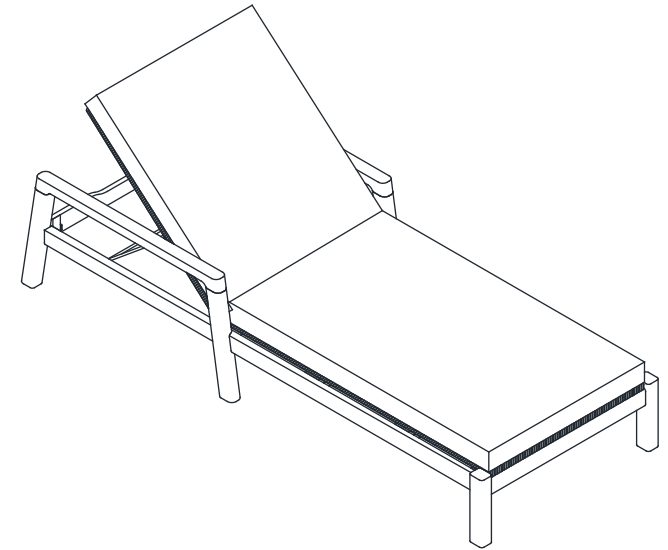
### Part List and Hardware List

PIECE	DESCRIPTION	PICTURE	QUANTITY
A	Frame Seat		1X
B	Frame Leg 1		2X
C	Frame Leg 2		2X
D	Cross Leg		1X
CSH	Seat Cushion		1X
HW1	Allen Bolt: M8x0.5x70 mm	 M8 x 70 mm	8X
HW2	Screws M6x0.5x40 mm	 M6 x 40 mm	4X

# SAFAVIEH C O U T U R E

Model# CPT1027

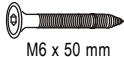

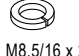

Product Dimensions: 31.8" W x 83.1" D x 33.1" H



**Weight Capacity : 400 lbs**

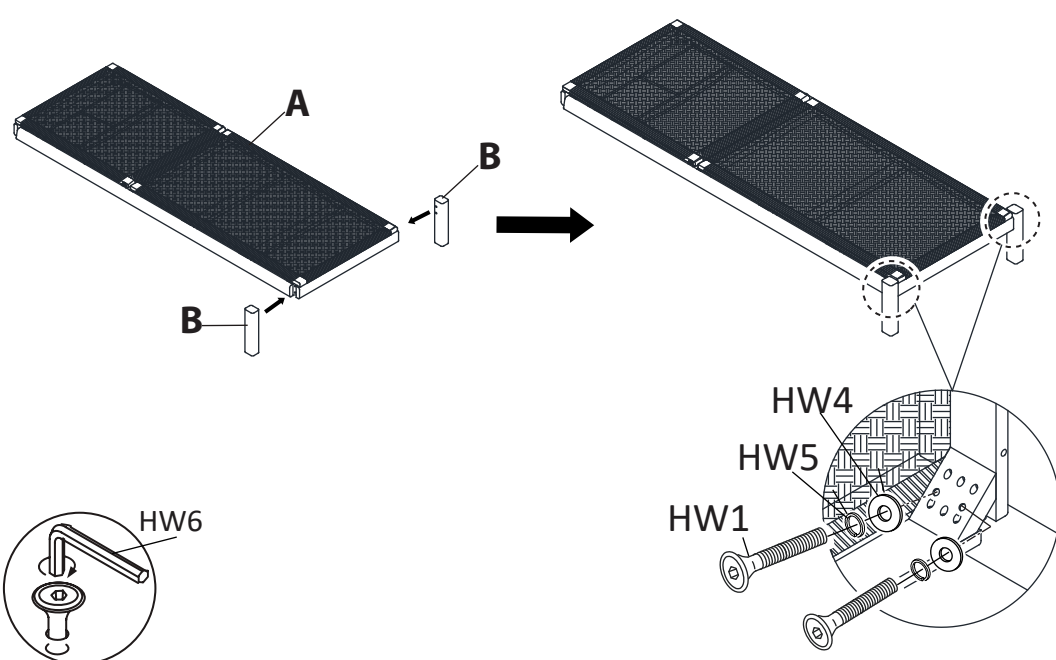
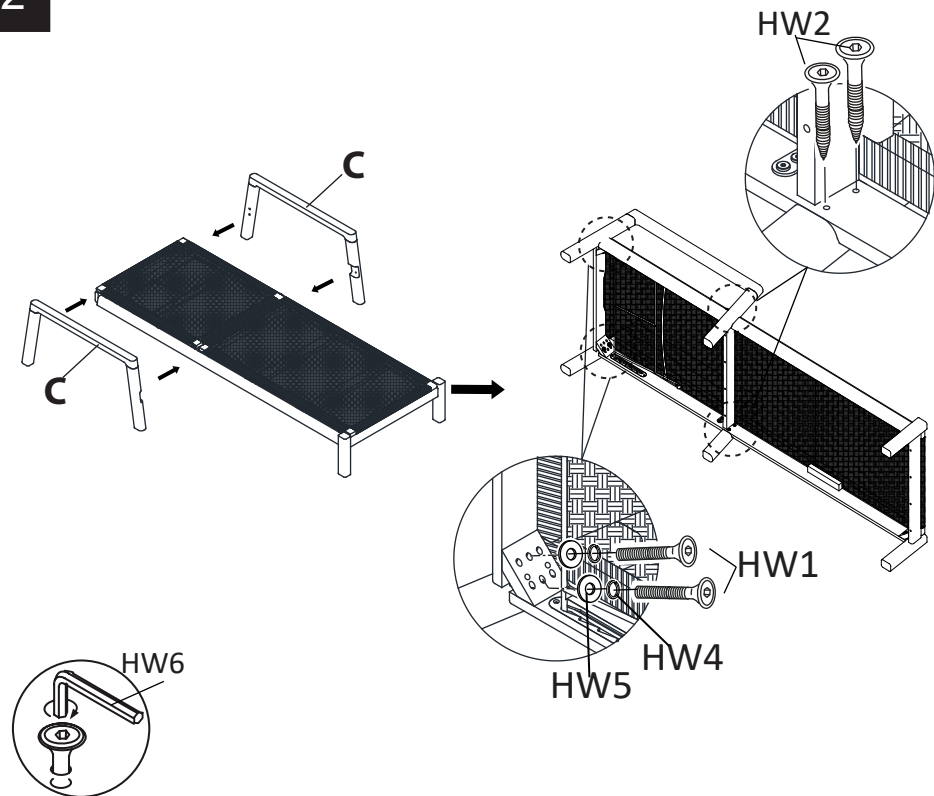
**Warning : Do not stand on bench**

**Warning : Do not over torque bolts / screws**

HW3	Screws M6x0.5x50 mm	 M6 x 50 mm	4X
HW4	Washer Ø8.5/20x2 mm	 M8.5/20 x 2 mm	8X
HW5	Washer Ø8.5/16x2 mm	 M8.5/16 x 2 mm	8X
HW6	Allen key	 LG4	1X

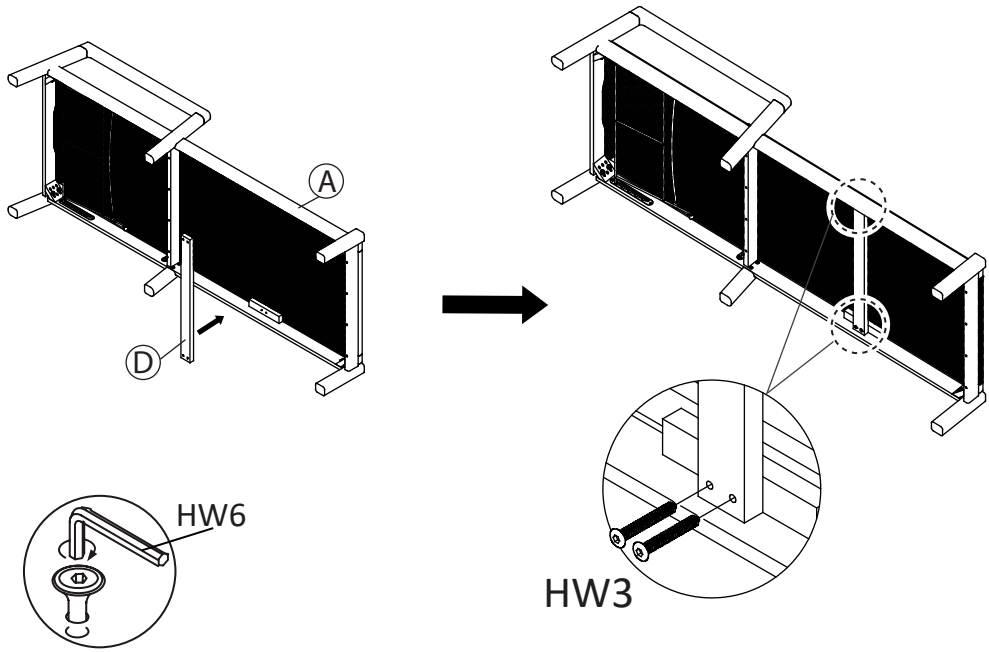
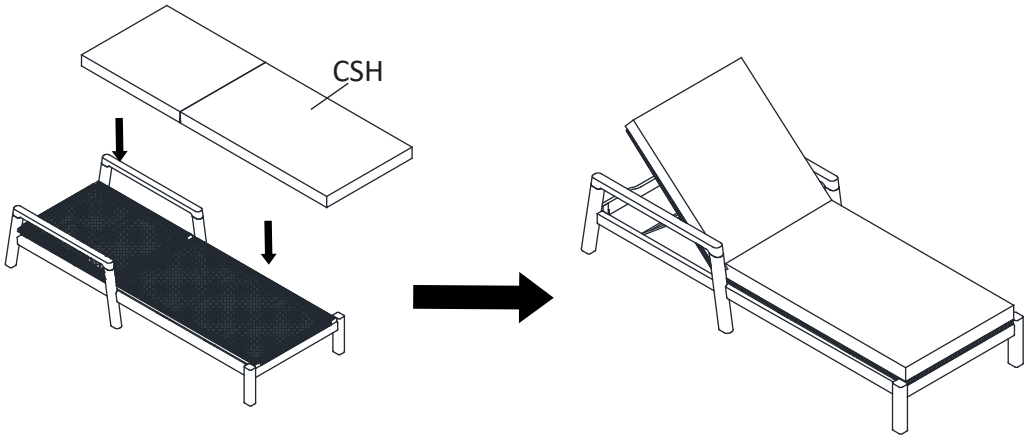
# PREPARATION

- \*Before beginning assembly of product, make sure all parts are present. Compare parts with package contents list and hardware contents list.
- \*If any part is missing or damaged, do not attempt to assemble the product.
- \* Estimated Assembly Time : 10 minutes.
- \* Tools Required for Assembly (included): Allen Key
- \* If you are having difficulty, our friendly Customer care team is always here to help. Please email [customersupport@safavieh.com](mailto:customersupport@safavieh.com).

<p><b>1</b></p> 	<p><b>2</b></p> 
<p><b>Step 1</b> Attach Frame leg 1 (B) to Frame Seat (A),use Bolts (HW1), and washer (HW5), washer (HW4) tighten with allenkey (HW6)</p>	<p><b>Step 2</b> Step 2.1 Attach Frame leg 2 (C) to Frame Seat (A),use Bolts (HW1), and washer (HW5), washer (HW4) tighten with allenkey (HW6) Step 2.2 Attach Frame leg 2 (C) to Frame Seat (A),use Screws (HW2) tighten with allenkey (HW6)</p>

## PREPARATION

- \*Before beginning assembly of product, make sure all parts are present. Compare parts with package contents list and hardware contents list.
- \*If any part is missing or damaged, do not attempt to assemble the product.
- \* Estimated Assembly Time : 10 minutes.
- \* Tools Required for Assembly (included): Allen Key
- \* If you are having difficulty, our friendly Customer care team is always here to help. Please email [customersupport@safavieh.com](mailto:customersupport@safavieh.com).

<p><b>3</b></p> 	<p><b>4</b></p> 
<p><b>Step 3</b> Attach Cross bar (D) to Frame Seat (A),use Screws (HW3) tighten with allenkey (HW6)</p>	<p><b>Step 4</b> Attach Ensure all screws are fully locked into position. Place Seat Cushion (CSH) into the <b>Single Chaise Lounge</b>. The <b>Single Chaise Lounge</b> is ready to be used.</p>