

## CARE AND MAINTENANCE

Wipe clean with a soft, dry cloth. Test the cleaning method on a hidden area before using them over the entire area.

## NOTICE

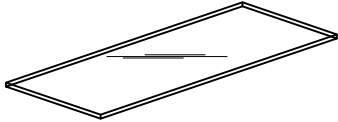
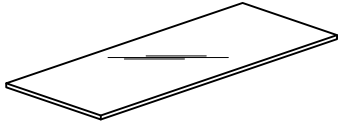
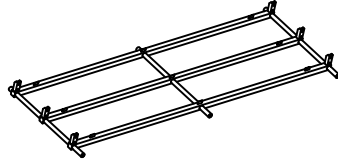




- \* Please make sure that you have all parts indicated before you begin assembly of this item.
- \* This item should be assembled on a soft surface to prevent scratching the finished product during assembly.
- \* This item may require periodic tightening.
- \* Do not tighten bolts until completely assembled.

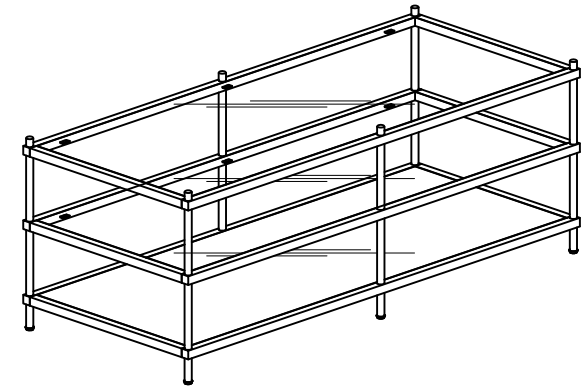
 **SAFAVIEH**  
FURNITURE

Model# COF6204

Product Dimensions: 47-1/2"W x 20"D x 17-1/2"H

## Part List and Hardware List

PIECE	DESCRIPTION	PICTURE	QUANTITY
A	Glass		2x
B	Mirror		1x
C	Side Frame		2x
D	Connecting Bar		6x
HW1	Hex Socket Bolt	 1/4"-20 x 5/8"	24x
HW2	Transparent Silicone Pad	 3/8"	18x
HW3	Allen Key	 M4	1x



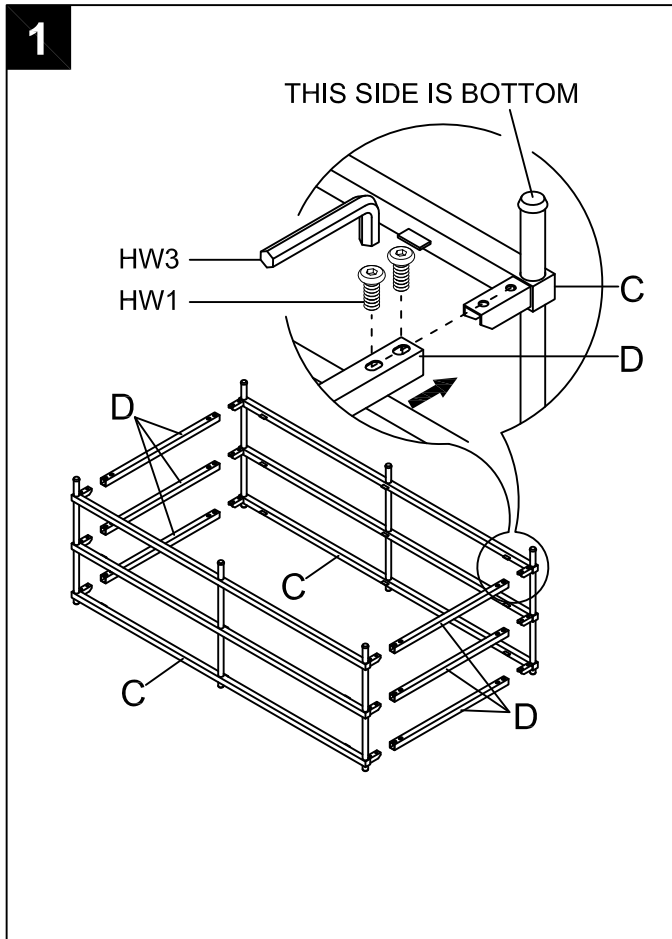
Weight capacity : 25 lbs  
WARNING : DO NOT STAND ON THE PRODUCT  
WARNING : DO NOT OVER TORQUE BOLTS

## PREPARATION

Before beginning assembly of product, make sure all parts are present. Compare parts with package contents list and hardware contents list. If any part is missing or damaged, do not attempt to assemble the product.

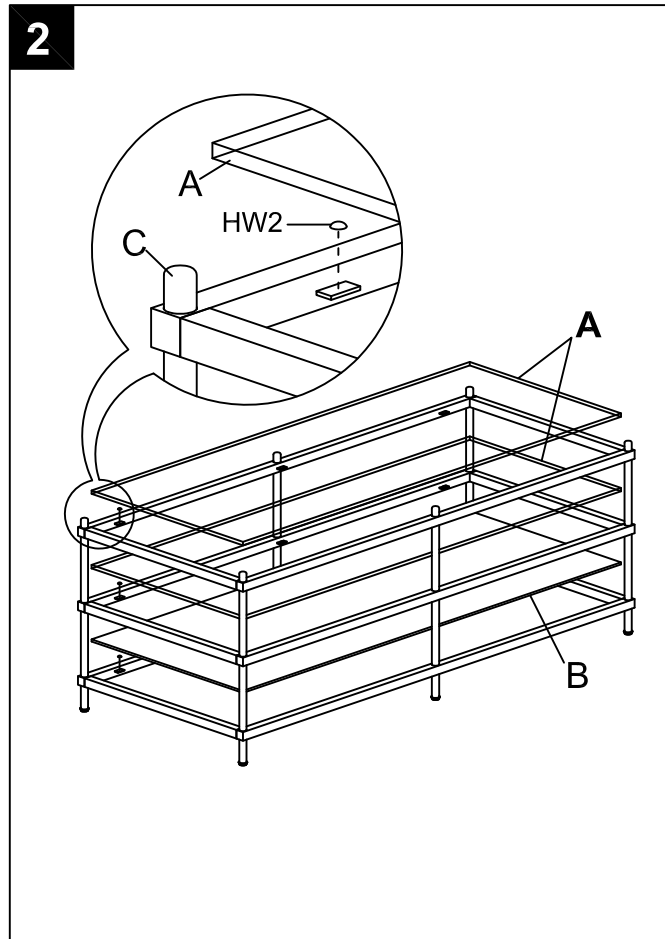
Estimated Assembly Time: 25 minutes.

Tools Required for Assembly (included): Allen Key



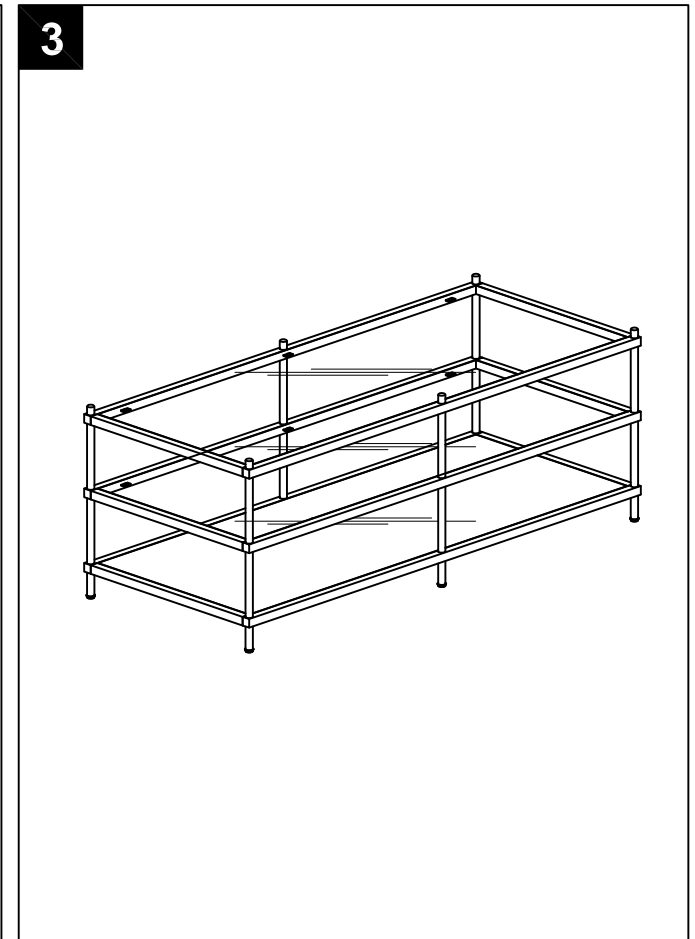
### Step 1

Insert the protrusions on the 2\*Side frames (C) into the tubes of 6\*Connecting bar (D). Using the Allen Key (HW3) to lock with 24\*Hex Socket Bolts (HW1).



### Step 2

Straighten up the assembled iron frame. Place 18\*Transparent Silicone Pads (HW2) on 3 metal table frames respectively before having top glass (A) / glass shelf (A) & bottom mirror (B) placed, as picture.



### Step 3

Assembly is completed.