

NOTICE

- * Please make sure that you have all parts indicated and they are in good condition before you begin assembly of this item. Refer to part list and hardware list below for guidance.
- * This item should be assembled on a soft surface to prevent scratching the finish during assembly.
- * This item may require periodic tightening.
- * If you are having difficulty, our friendly Customer Care team is always here to help. Please email customersupport@safavieh.com

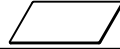


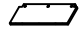



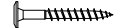
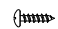




PREPARATION

- * Before beginning assembly of product, make sure all parts are present. Compare parts with part contents list and hardware contents list.
- * If any part is missing or damaged, do not attempt to assemble the product.
- * Estimated Assembly Time: 30 minutes.
- * Tools Required for Assembly (included): Allen Key

CARE AND MAINTENANCE

Adhesive felt pads should always be applied to areas of furniture which make direct contact with flooring, said application will prevent damage to the furniture and or surfaces on which the furniture lies. Objects placed on articles of furniture should rest on non abrasive material as to prevent damage to the wood finish. Wipe up spills immediately and avoid common hazards such as hot dishes, harsh solvents and abrasives. Cleaning should be done with a soft lint free cotton cloth dampened with water or furniture polish.

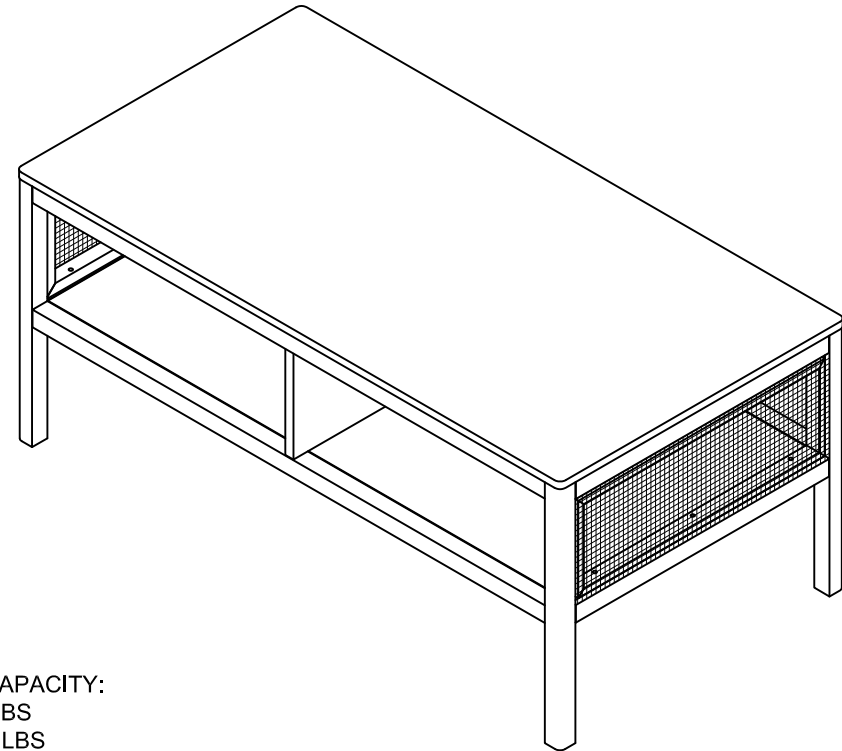
Part List and Hardware List

PIECE	DESCRIPTION	PICTURE	QUANTITY
A	TOP PANEL		1X
B	SIDE ASSEMBLY		2X
C	TOP RAIL		2X
D	DIVIDER		1X
E	SHELF ASSEMBLY		1X
HW1	55 MM BOLT	M6x55mm 	8X
HW2	40 MM BOLT	M6x40mm 	4X
HW3	1 3/4" HEAD CAP SCREW	M5x44mm 	3X
HW4	1/2" ROUND HEAD SCREW	M4x13mm 	20X
HW5	CAMBOLT	Ø8x32mm 	3X
HW6	CAMLOCK	Ø15x10mm 	3X
HW7	CORNER PLATE		10X
HW8	DOWEL		4X

 **SAFAVIEH**
FURNITURE





Model# COF5002

Product Dimensions: 42"W x 22 1/16"D x 18"H



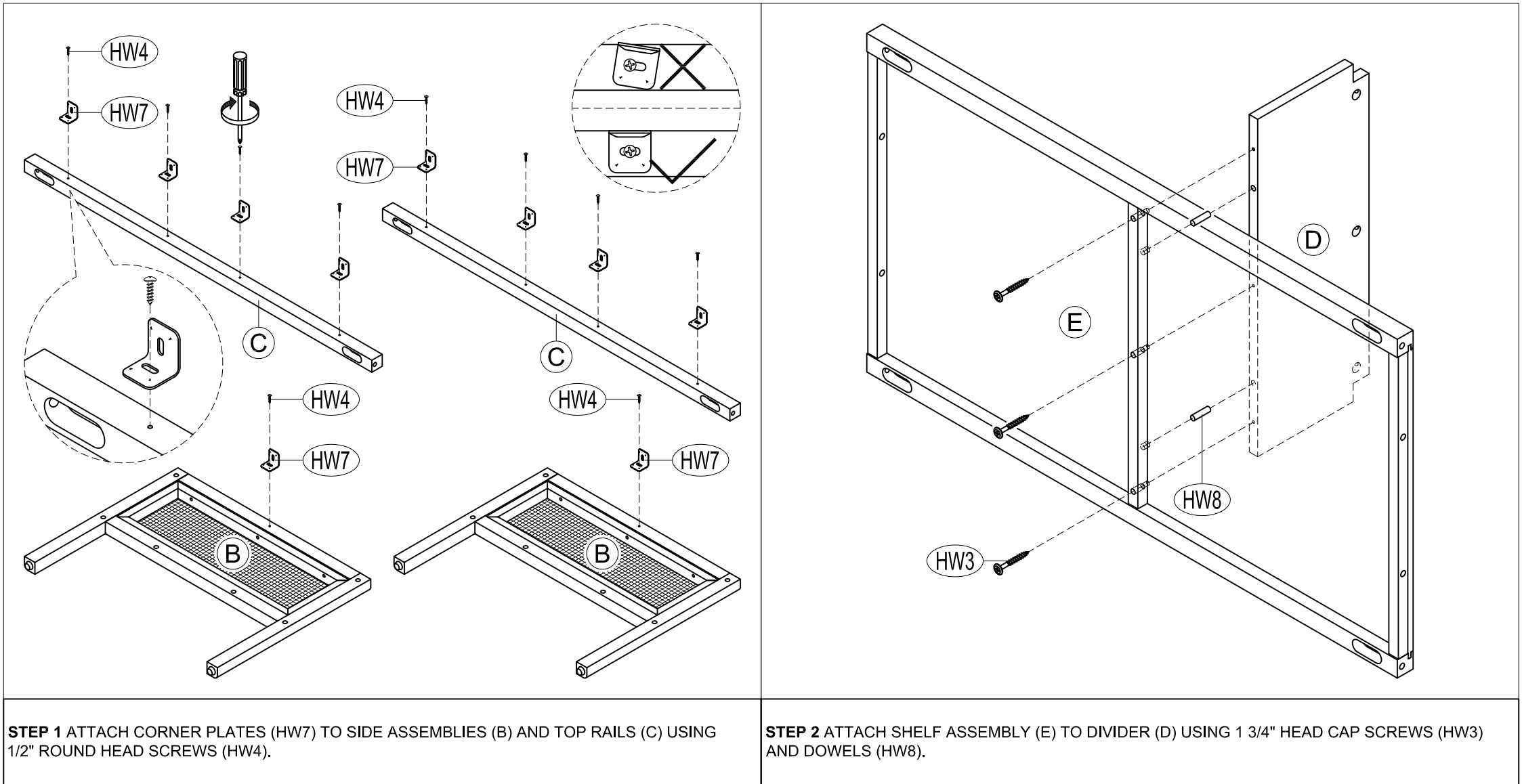
WEIGHT CAPACITY:
TOP: 100 LBS
SHELF: 50 LBS

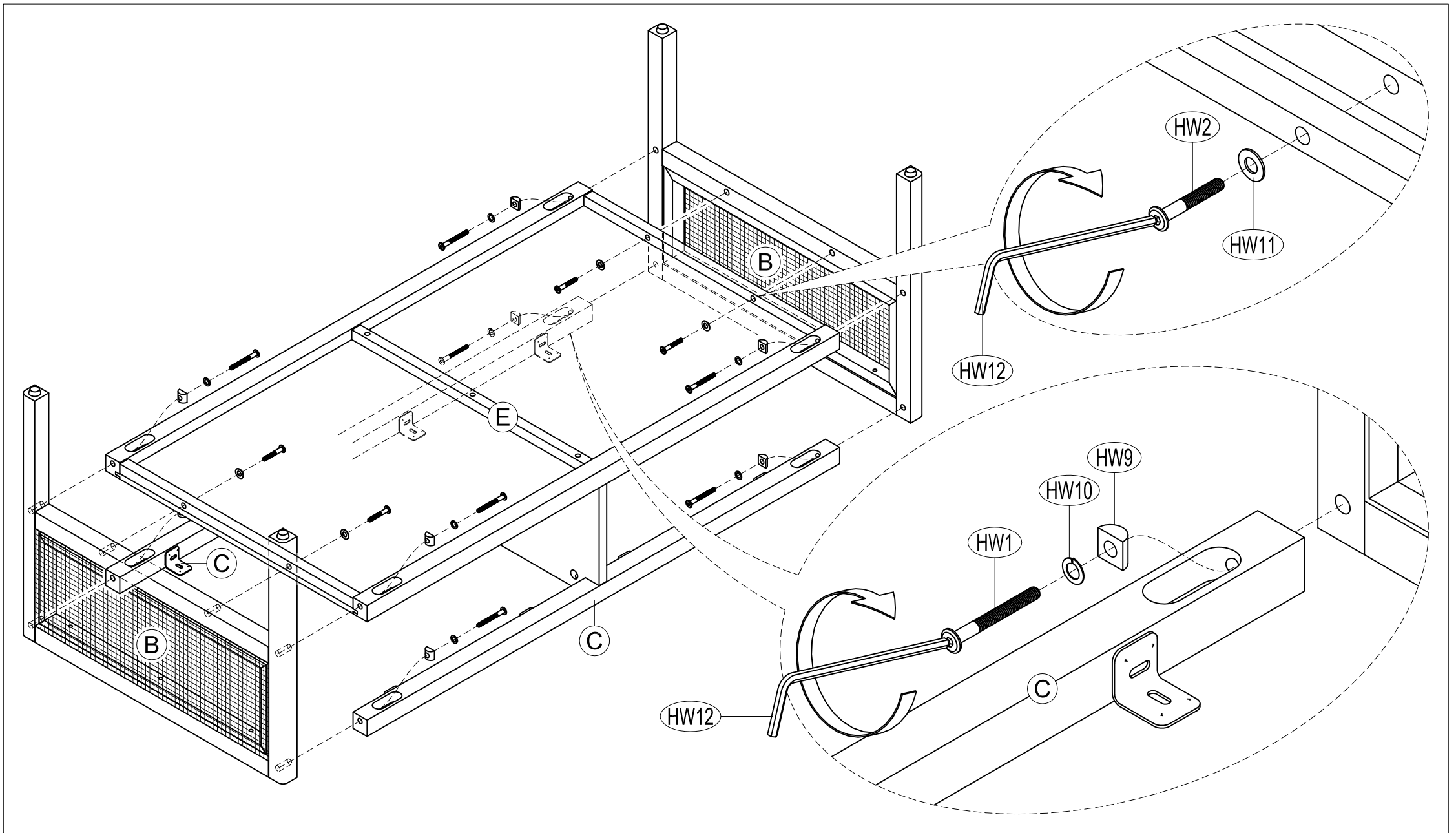
**WARNING: DO NOT OVER TORQUE
BOLTS/SCREWS**

PIECE	DESCRIPTION	PICTURE	QUANTITY
HW9	SPACER		8X
HW10	SPRING WASHER		8X
HW11	FLAT WASHER		4X
HW12	ALLEN KEY		1X

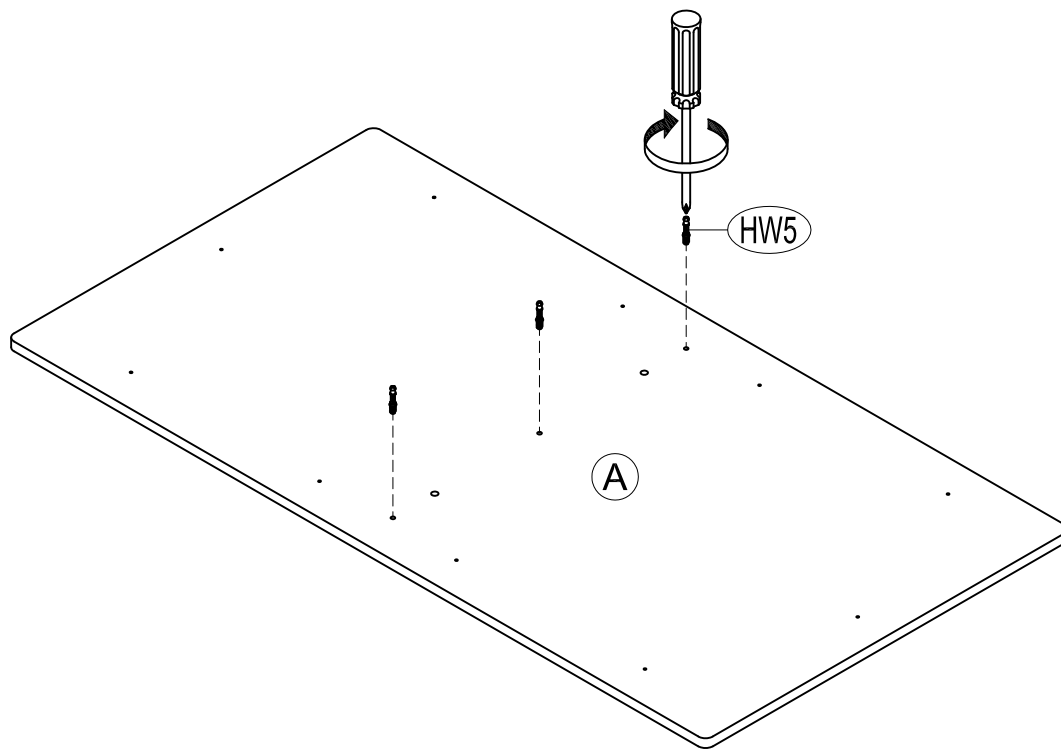
PREPARATION

- * Before beginning assembly of product, make sure all parts are present. Compare parts with package contents list and hardware contents list.
- * If any part is missing or damaged, do not attempt to assemble the product.
- * Estimated Assembly Time: 30 minutes.
- * Tools Required for Assembly (included): Allen Key
- * If you are having difficulty, our friendly Customer Care team is always here to help. Please email customersupport@safavieh.com

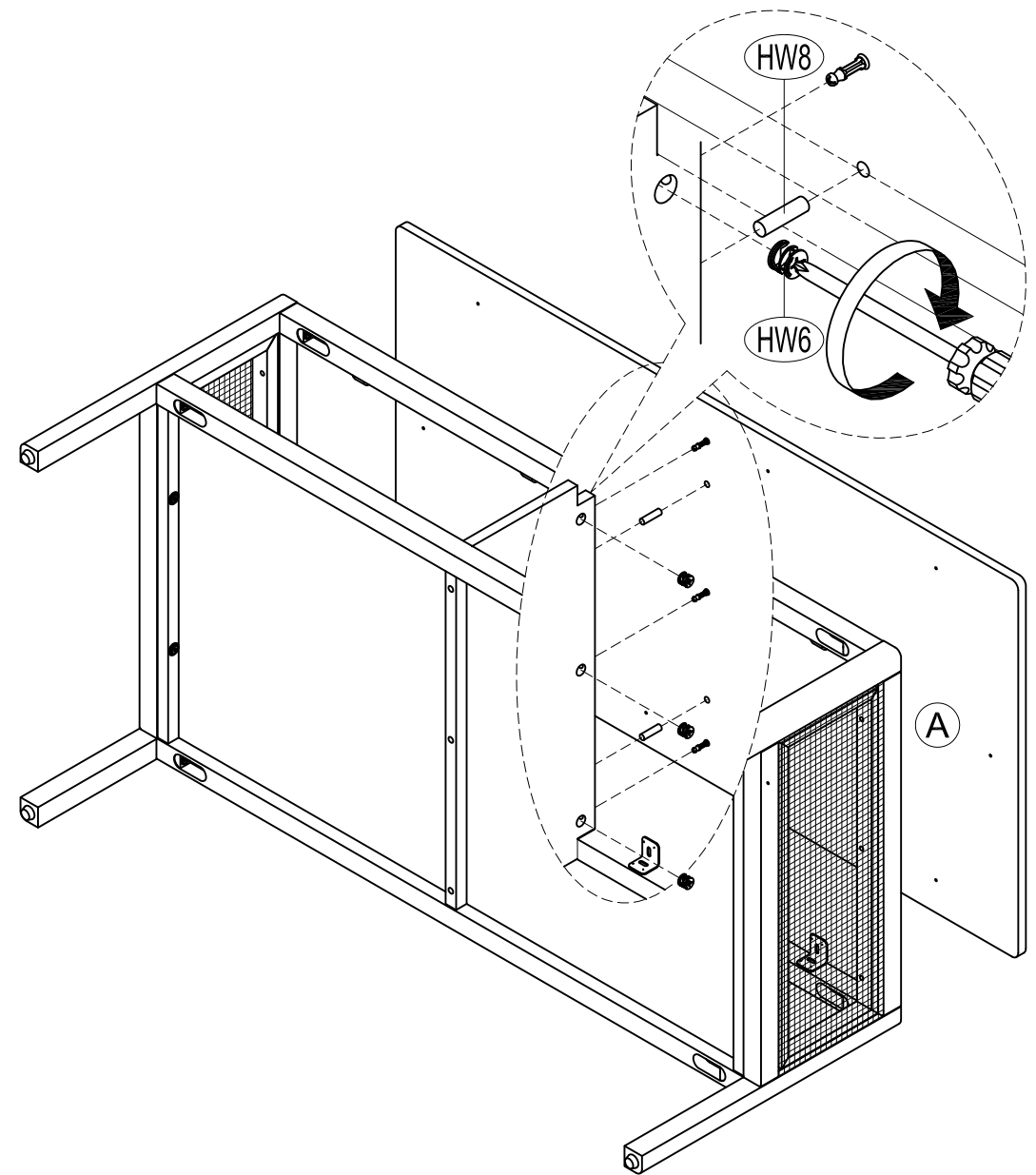




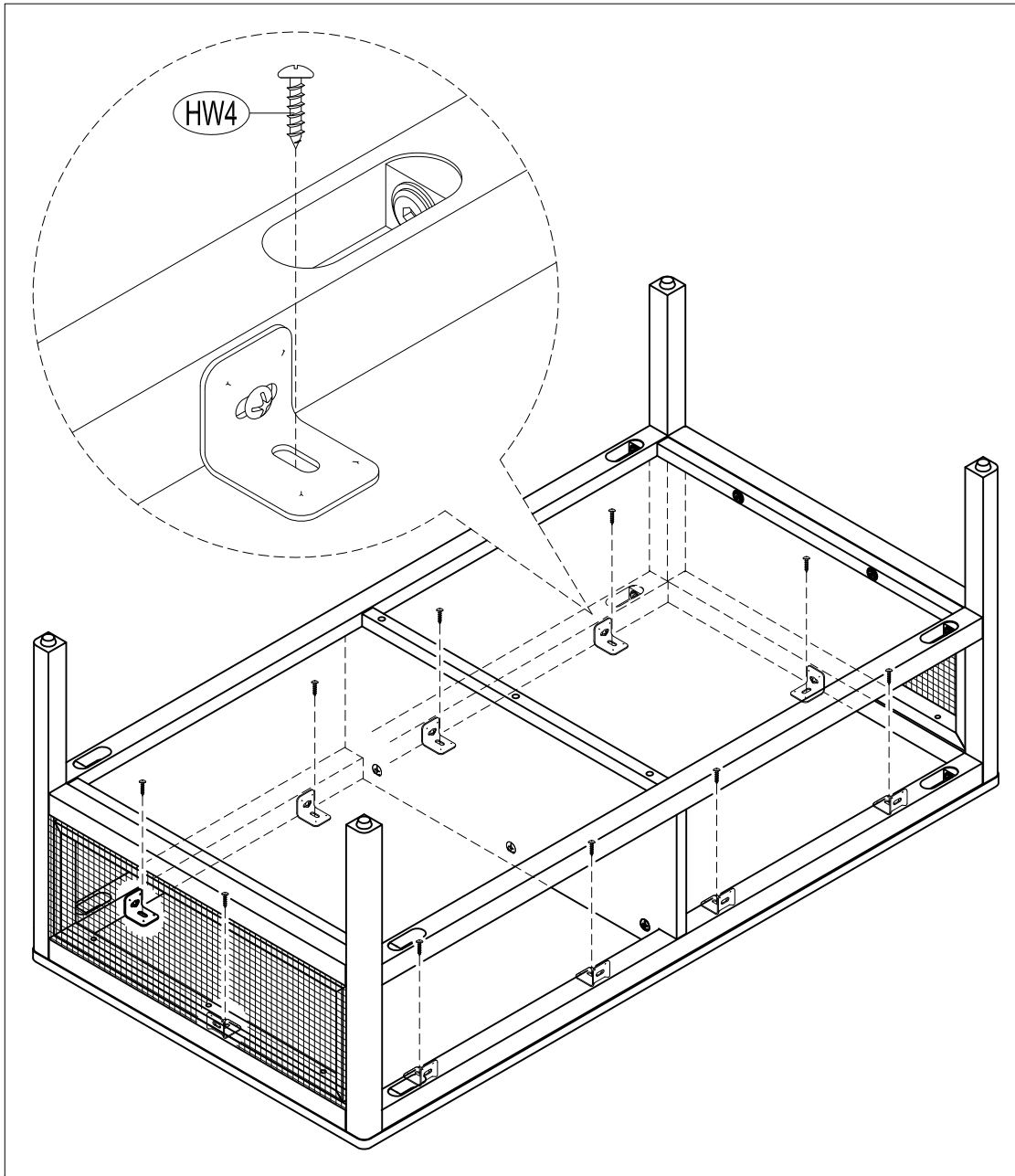
STEP 3 ATTACH SIDE ASSEMBLIES (B) TO TOP RAILS (C) USING 55 MM BOLTS (HW1), SPACERS (HW9) AND SPRING WASHERS (HW10); AND SIDE ASSEMBLIES (B) TO SHELF ASSEMBLY (E) USING 55 MM AND 40 MM BOLTS (HW1 AND HW2), SPACERS (HW9), SPRING AND FLAT WASHERS (HW10 AND HW11). TIGHTEN BOLTS USING ALLEN KEY (HW12).



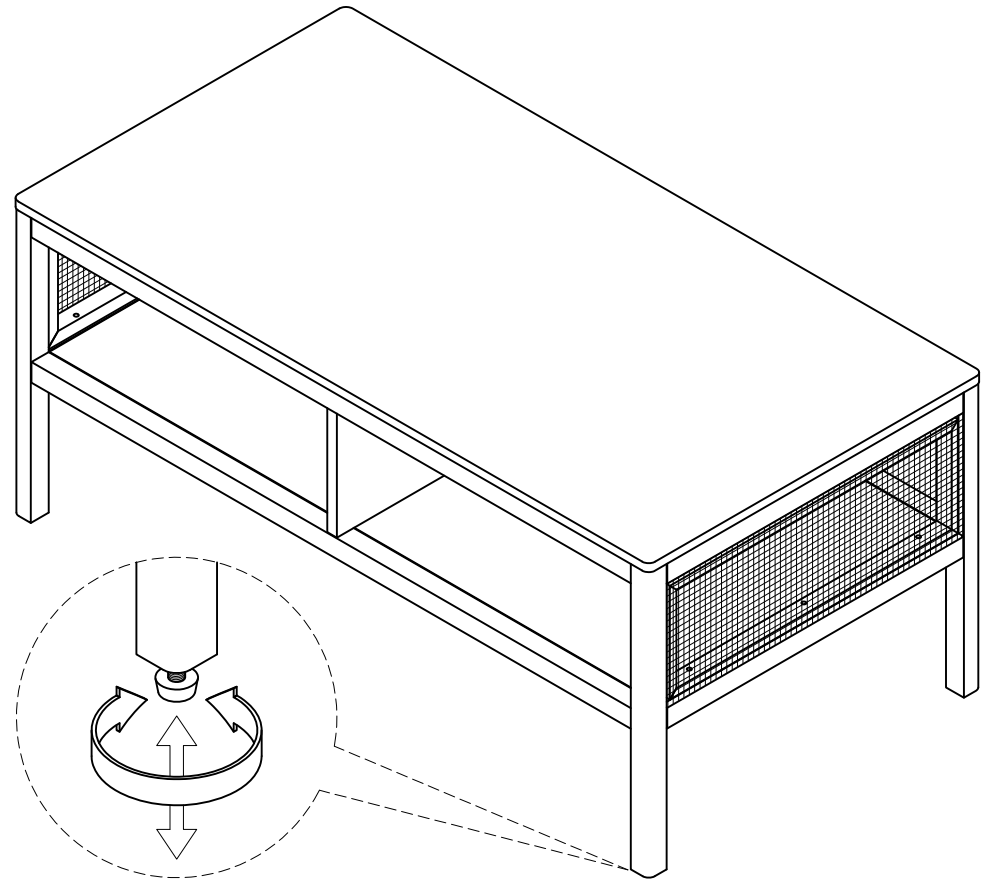
STEP 4 ATTACH CAMBOLTS (HW5) TO TOP PANEL (A).



STEP 5 ATTACH TOP PANEL (A) TO UNIT USING CAM LOCKS (HW6) AND DOWELS (HW8).



STEP 6 ATTACH 1/2" ROUND HEAD SCREWS (HW4) TO UNIT.



STEP 7 ADJUST THE ADJUSTER BOLT THAT HAS ALREADY ASSEMBLED TO THE LEGS TO STABILIZE YOUR UNIT