

CARE AND MAINTENANCE

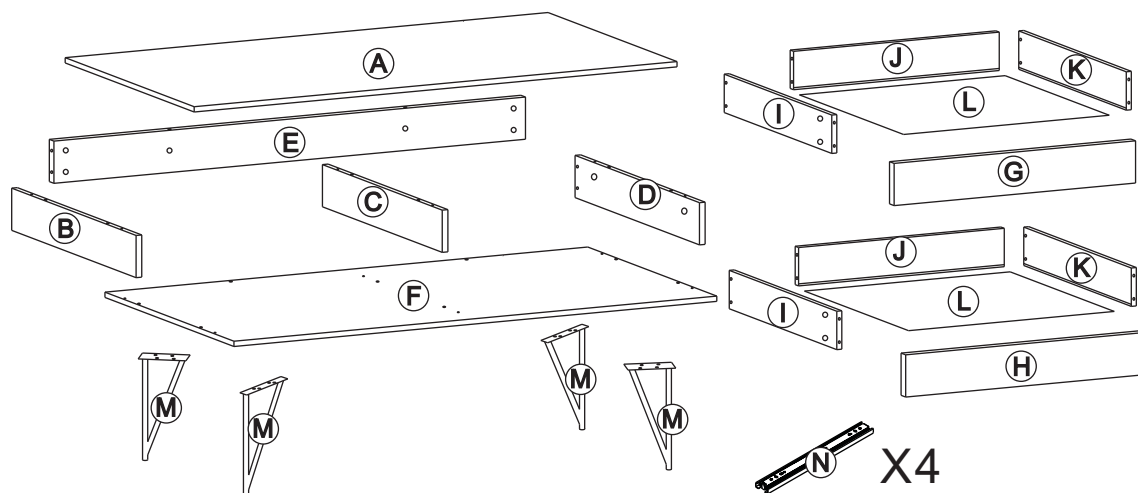
Always use felt pads under all articles to prevent discoloration or softening of the lacquer. Plastic and rubber bases on items can discolor wood. Wipe up spills immediately and avoid common hazards such as hot dishes, harsh solvents and abrasives. Cleaning should be done with a soft lint free cotton cloth dampened with water or furniture polish. On highly used surfaces we recommend applying a quality paste wax which should be used on a regular basis to provide additional protection from scratches and spills. How often you apply the wax depends on how much wear the furniture receives.

NOTICE

- * Please make sure that you have all parts indicated before you begin assembly of this item
- * This item should be assembled on a soft surface to prevent scratching the finish during assembly
- * This item may require periodic tightening

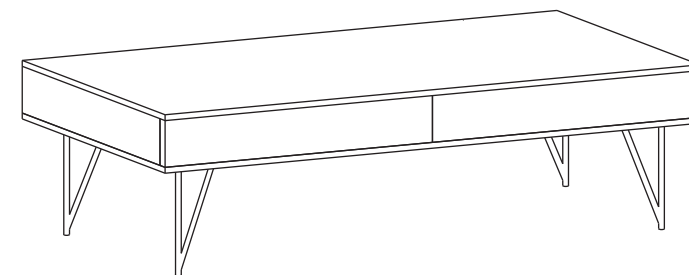
 **SAFAVIEH**
FURNITURE


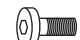








Part List and Hardware List



Model# COF2238

Product Dimensions: 43.3"W×25.98"D×16.54"H



HW1x1 	HW2x16  6x16mm	HW3x12  6x45mm	HW4x12  Ø15	HW5x12  Ø7.8x30mm	HW6x8  5x45mm
HW7x8  4x35mm	HW8x16  3.5x14mm	HW9x8  6x27mm	HW10x8  Ø10		

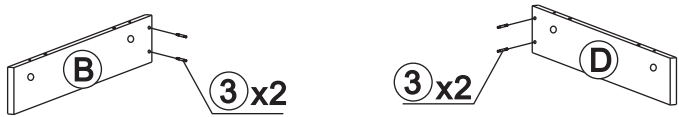
PREPARATION

Before beginning assembly of product, make sure all parts are present. Compare parts with package contents list and hardware contents list.

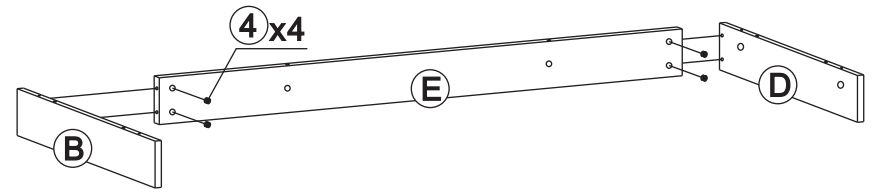
If any part is missing or damaged, do not attempt to assemble the product.

Estimated Assembly Time: 45 minutes.

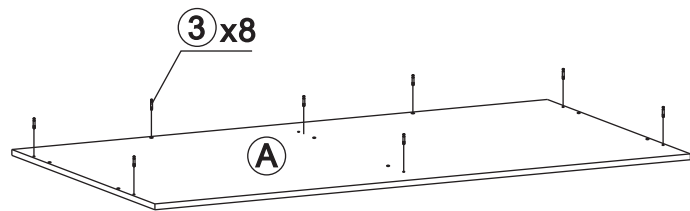
1



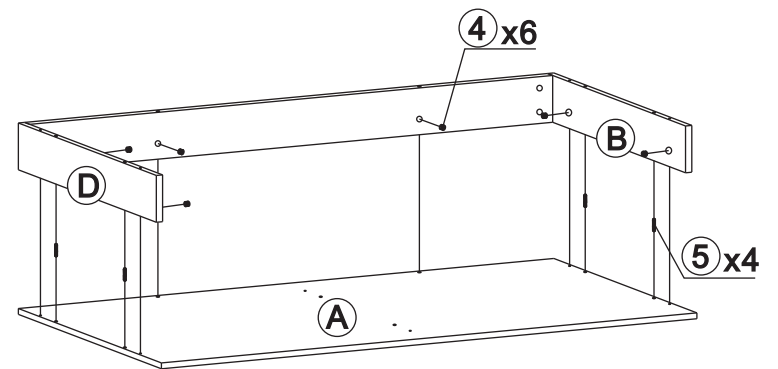
2



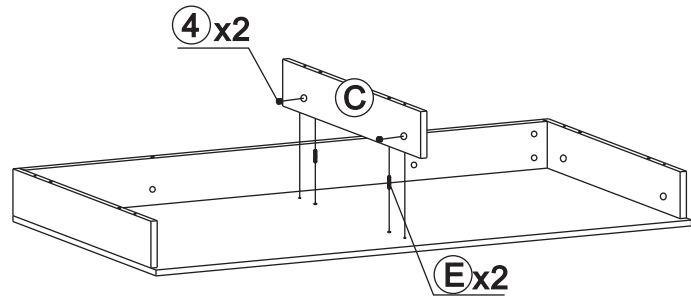
3



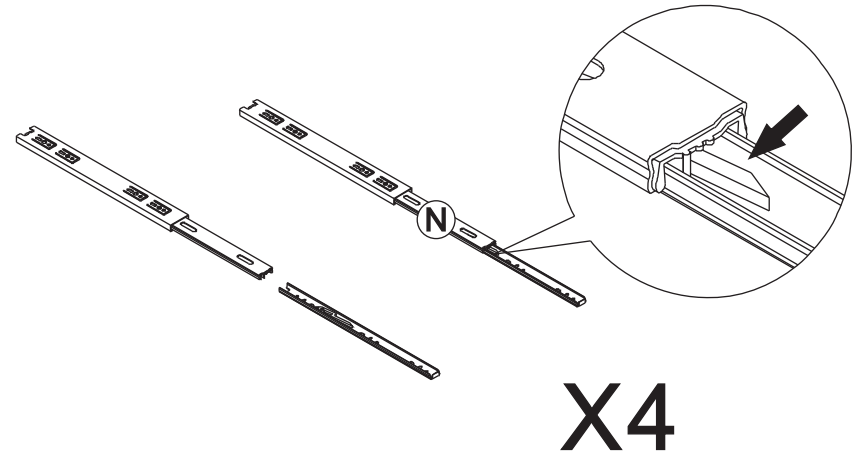
4



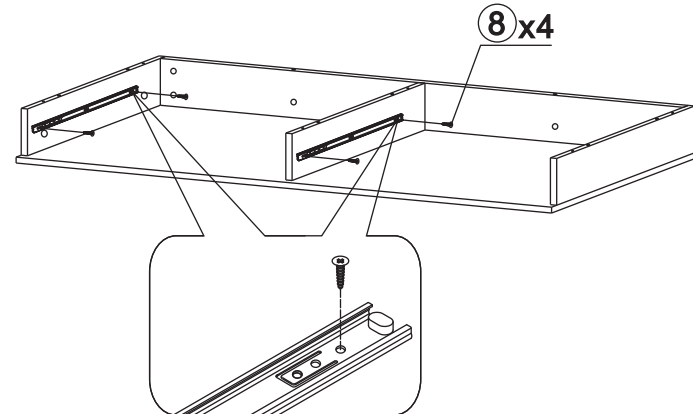
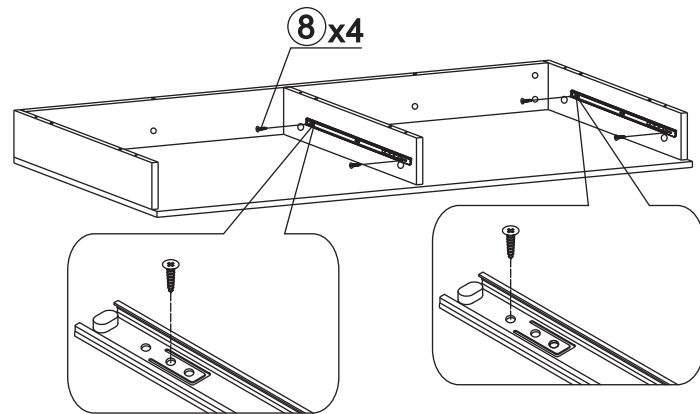
5



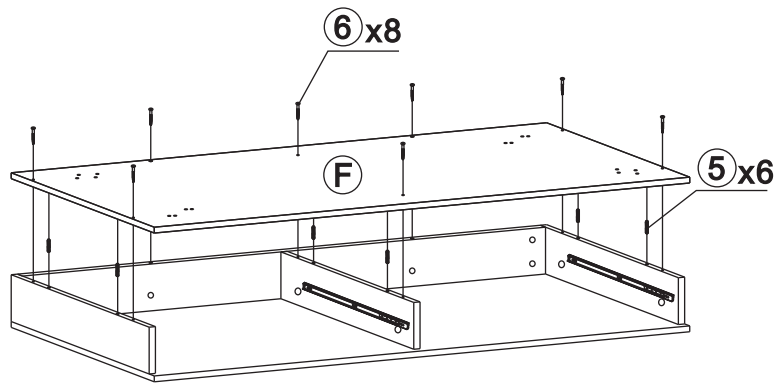
6



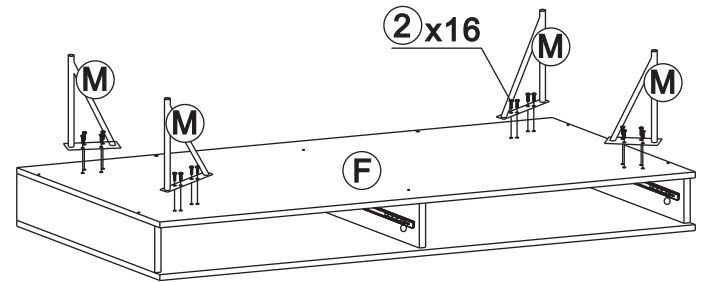
7



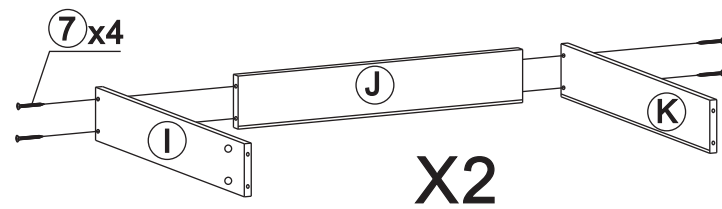
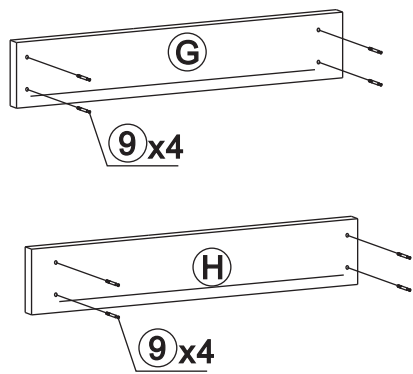
8



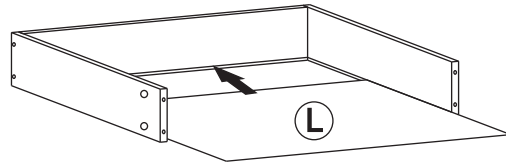
9



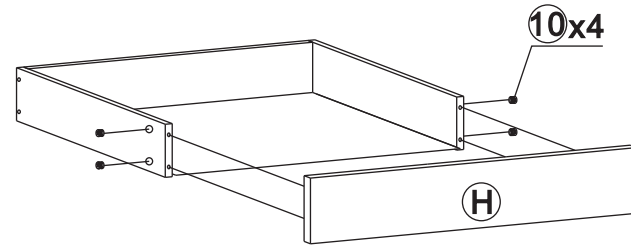
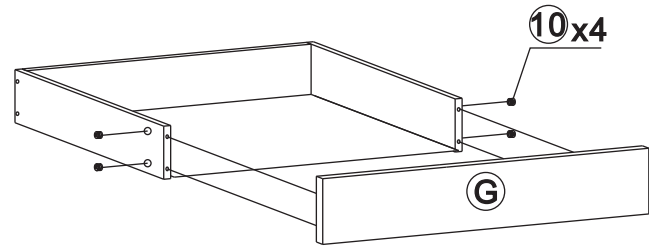
10



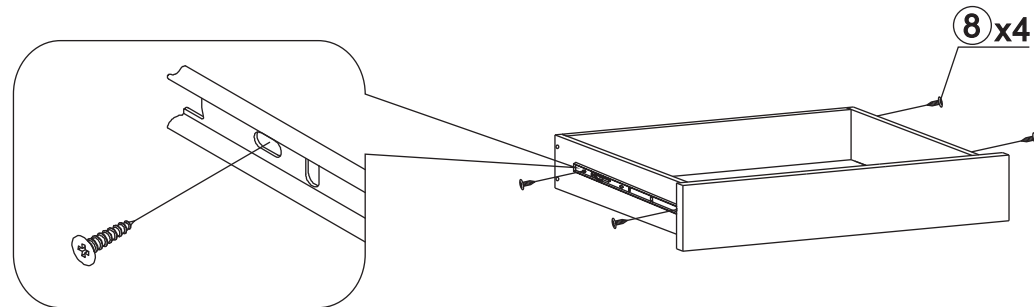
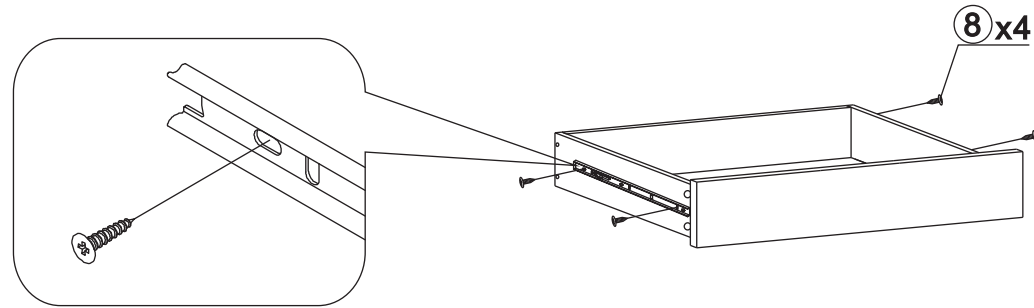
11



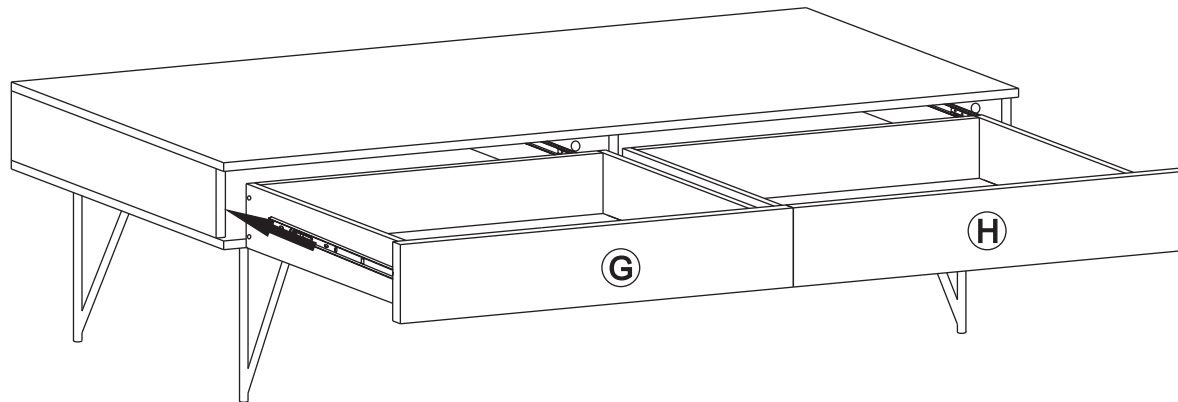
X2



12



13



14

