



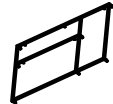
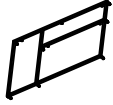




CARE AND MAINTENANCE

Wipe clean with a soft, dry cloth. Test the cleaning method on a hidden area before using them over the entire area.

NOTICE

- * Please make sure that you have all parts indicated before you begin assembly of this item.
- * This item should be assembled on a soft surface to prevent scratching the finished product during assembly.
- * This item may require periodic tightening.
- * Do not tighten bolts until completely assembled.

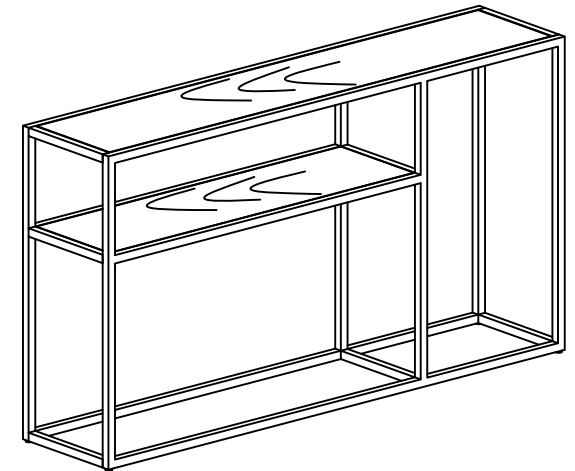
Part List and Hardware List

PIECE	DESCRIPTION	PICTURE	QUANTITY
A	Top Panel		1x
B	Middle Shelf		1x
C	Side Frame -1		1x
D	Side Frame -2		1x
E	Connecting Rod		7x
HW1	Hex Socket Bolt	 1/4"-20"x5/8"	28x
HW2	Wood Screw	 $\phi 4 \times 15 \text{mm}$	10x
HW3	Allen Key	 M4	1x

 **SAFAVIEH**
FURNITURE

Model# CNS6205

Product Dimensions: 54"Wx12"Dx30-1/4"H



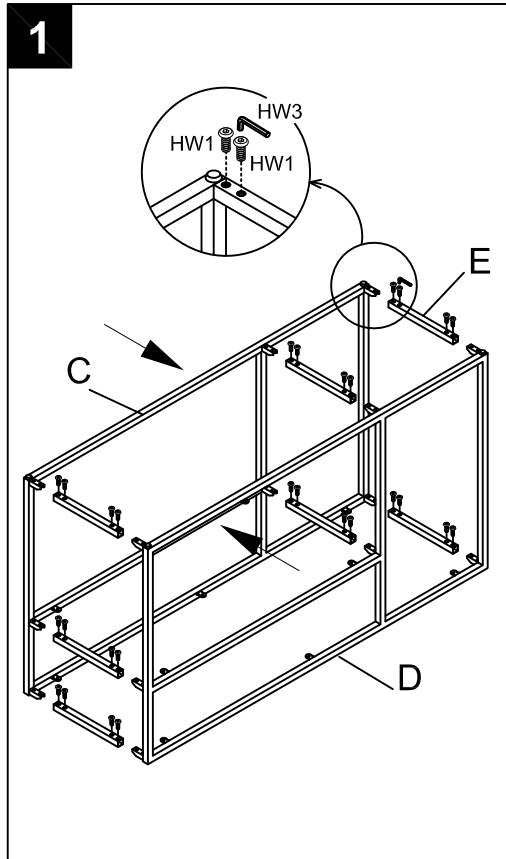
Weight capacity : 25 lbs
WARNING : DO NOT STAND ON TABLE
WARNING : DO NOT OVER TORQUE BOLTS

PREPARATION

Before beginning assembly of product, make sure all parts are present. Compare parts with package contents list and hardware contents list. If any part is missing or damaged, do not attempt to assemble the product.

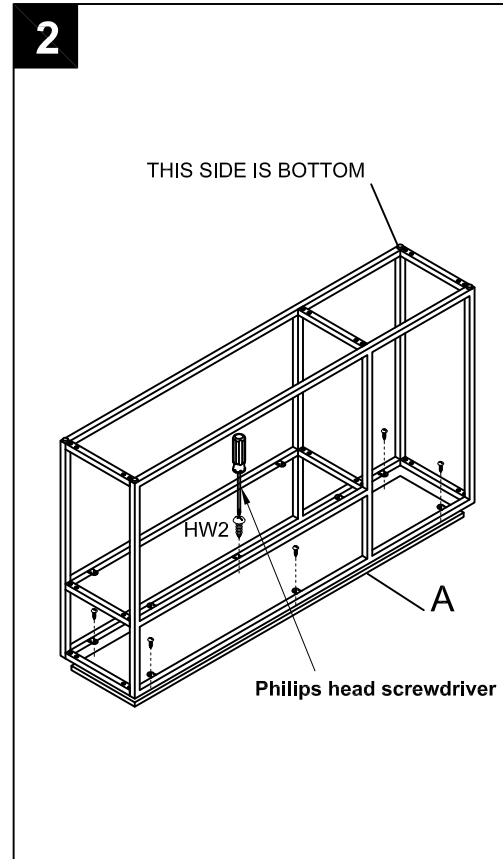
Estimated Assembly Time: 30 minutes.

Tools Required for Assembly : Allen Key (included) and Philips head screwdriver (not included)



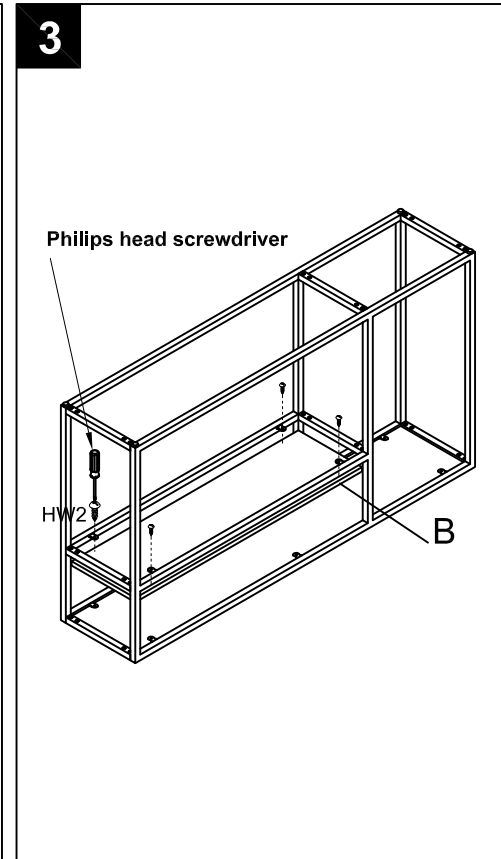
Step 1

Insert the protruding part of 2*Side Frame-1/2 (C/D) into the tube of 7*Connecting Rod (E). Then use Allen Key (HW3) to lock 28*Hex Socket Bolts (HW1) to the through-hole of the Connecting Rods (E), as picture.



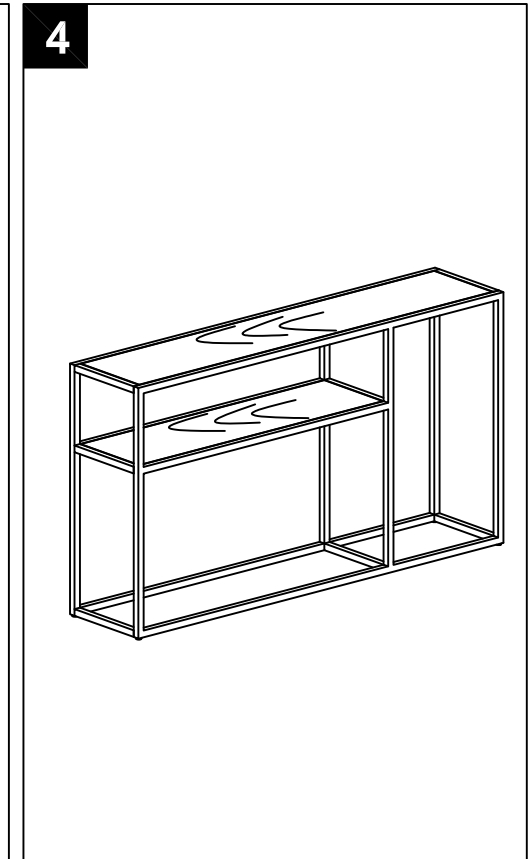
Step 2

Attach underneath of Top Panel (A) in the corresponding position on the assembled table frame (as step 1), and lock 6*Wood Screws (HW2) on the bottom side of top panel (A) to the assembled frame with Philips head screwdriver (tool is not included).



Step 3

Attach underneath of Middle Shelf (B) in the corresponding position on the assembled table frame (as step 1), and lock 4*Wood Screws (HW2) on the bottom side of Middle Shelf (B) to the assembled frame with Philips head screwdriver (tool is not included).



Step 4

Straighten up the assembled product, assembly is completed.