









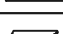
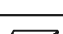



## CARE AND MAINTENANCE

Spot clean using a mild water-free solvent. Only a professional cleaner should undertake a complete overall cleaning.  
The use of steam or water-based cleaners may cause excessive shrinking or staining.

## NOTICE

- \* Please make sure that you have all parts indicated before you begin assembly of this item.
- \* This item should be assembled on a soft surface to prevent scratching the finish during assembly.
- \* This item may require periodic tightening.

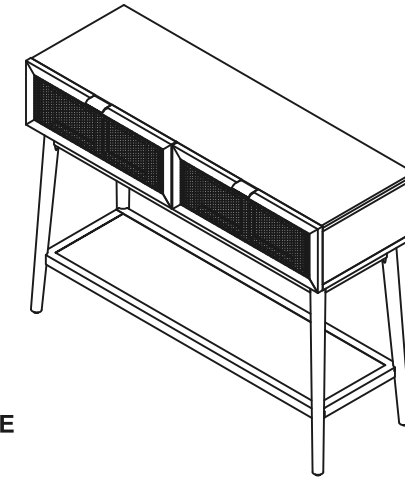
## Part List and Hardware List

| PIECE | DESCRIPTION     | PICTURE   | QUANTITY |
|-------|-----------------|---|----------|
| A     | TOP PANEL       |    | 1X       |
| B     | LEFT PANEL      |    | 1X       |
| C     | RIGHT PANEL     |   | 1X       |
| D     | DIVIDER         |  | 1X       |
| E     | BOTTOM ASSEMBLY |  | 1X       |
| F     | SHELF           |  | 1X       |
| G     | BACK PANEL      |  | 1X       |
| H     | LEG             |  | 4X       |
| I     | DRAWER FRONT    |  | 2X       |
| J     | DRAWER LEFT     |  | 2X       |
| K     | DRAWER RIGHT    |  | 2X       |
| L     | DRAWER BACK     |  | 2X       |
| M     | DRAWER BASE     |  | 2X       |

# SAFAVIEH FURNITURE















Model# CNS5000A

Product Dimensions: 42"W x 14"D x 31"H



WEIGHT CAPACITY :  
TOP : 110 LBS  
DRAWER : 30 LBS  
SHELF : 40 LBS

**WARNING: DO NOT OVER TORQUE  
BOLTS/SCREWS**

| PIECE | DESCRIPTION            | PICTURE   | QUANTITY |
|-------|------------------------|---|----------|
| 1     | 80 MM BOLT             | M6x80mm    | 4X       |
| 2     | 65 MM BOLT             | M6x65mm  | 8X       |
| 3     | SPRING WASHER          |          | 12X      |
| 4     | FLAT WASHER            |          | 12X      |
| 5     | 1 1/4" FLAT HEAD SCREW | M3x32mm  | 16X      |
| 6     | 3/4" FLAT HEAD SCREW   | M3x19mm  | 8X       |
| 7     | 5/8" FLAT HEAD SCREW   | M3x16mm  | 10X      |
| 8     | 1/2" FLAT HEAD SCREW   | M3x13mm  | 4X       |
| 9     | CAMBOLT                |          | 18X      |
| 10    | CAMLOCK                |          | 18X      |
| 11    | HANDLE                 |          | 2X       |
| 12    | WOODEN DOWEL           |          | 12X      |
| 13    | ALLEN KEY              |          | 1X       |
| 14    | WEDGE                  |          | 10X      |

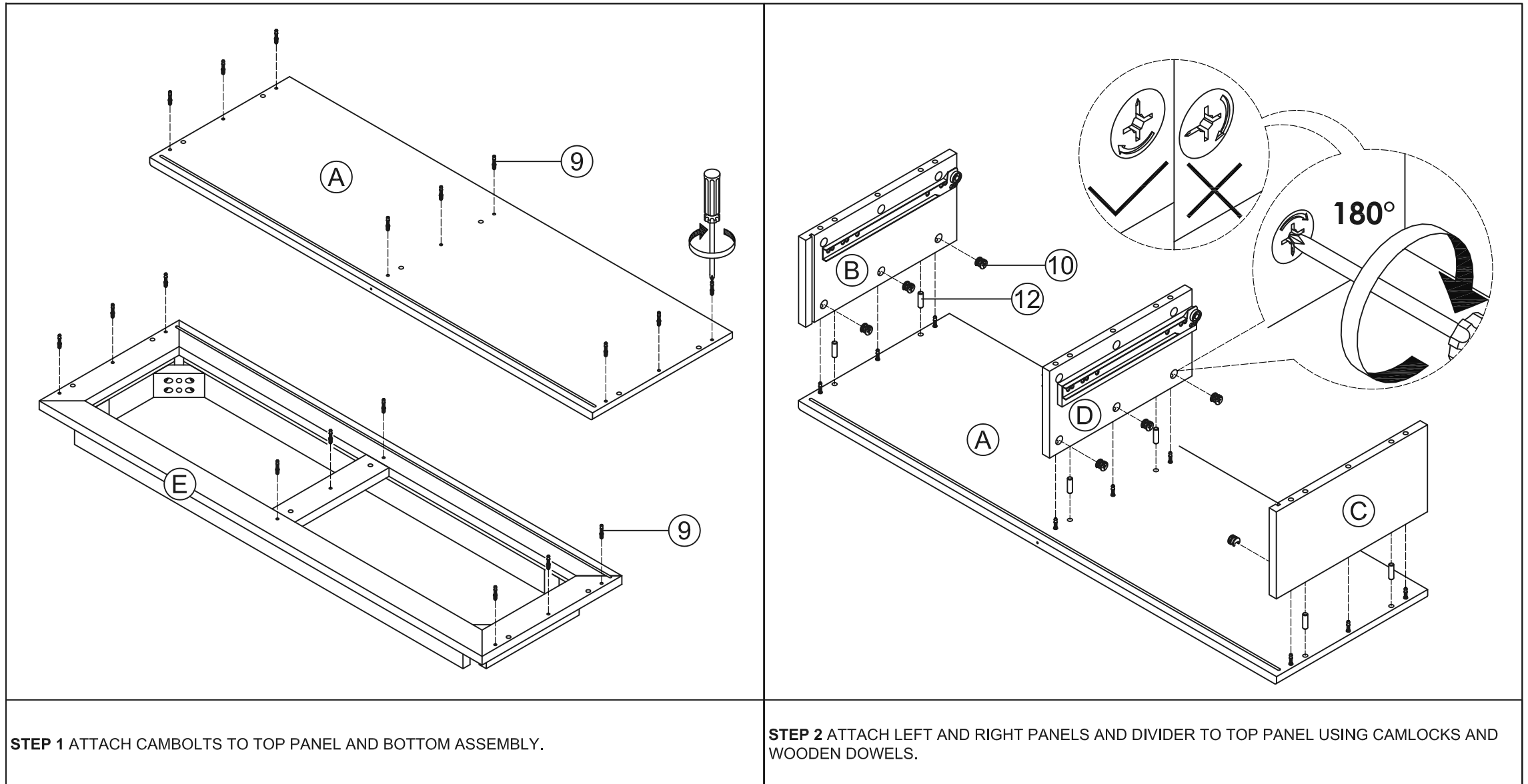
## PREPARATION

Before beginning assembly of product, make sure all parts are present. Compare parts with package contents list and hardware contents list.

If any part is missing or damaged, do not attempt to assemble the product.

Estimated Assembly Time: 60 minutes.

Tools Required for Assembly : Phillips Screwdriver



**STEP 1** ATTACH CAMBOLTS TO TOP PANEL AND BOTTOM ASSEMBLY.

**STEP 2** ATTACH LEFT AND RIGHT PANELS AND DIVIDER TO TOP PANEL USING CAMLOCKS AND WOODEN DOWELS.

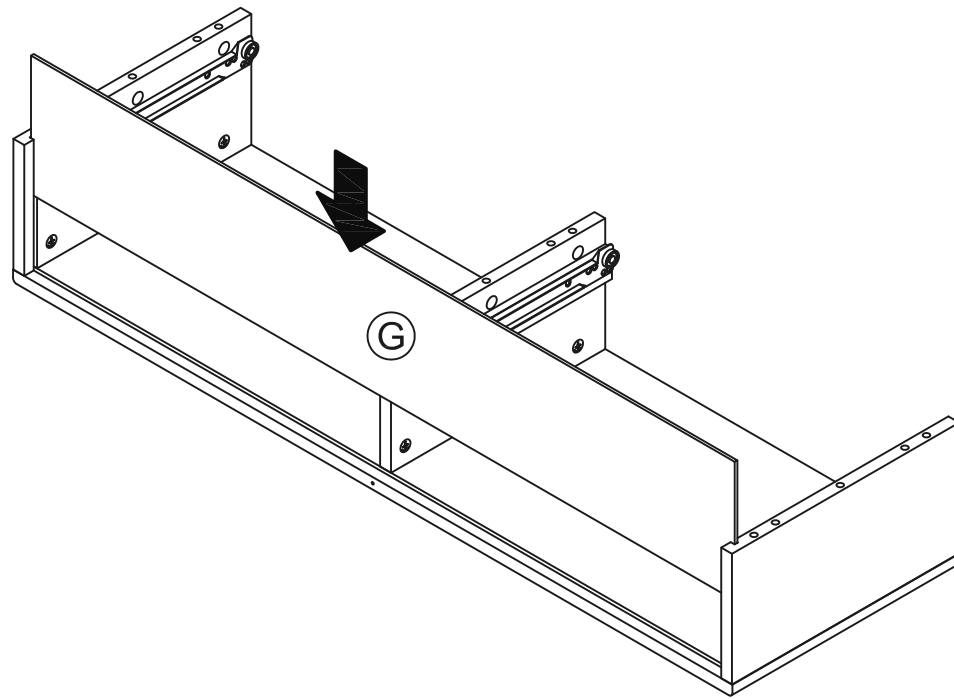
## PREPARATION

Before beginning assembly of product, make sure all parts are present. Compare parts with package contents list and hardware contents list.

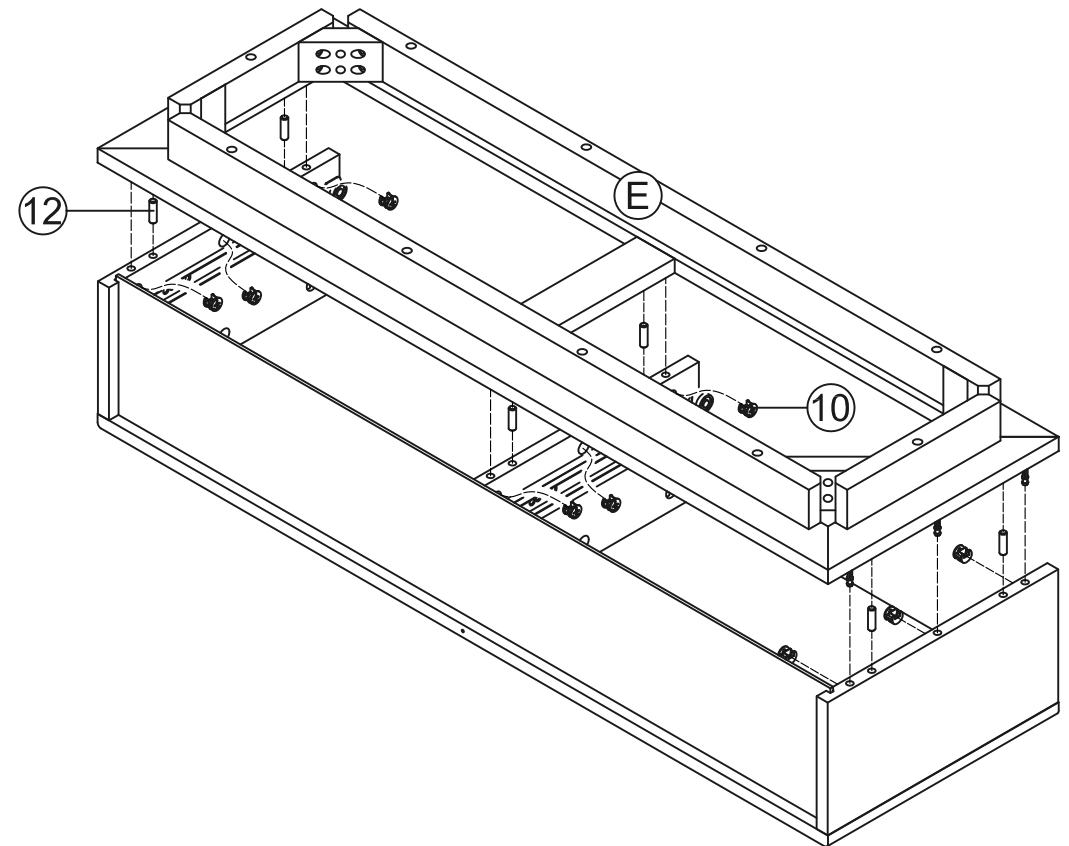
If any part is missing or damaged, do not attempt to assemble the product.

Estimated Assembly Time: 60 minutes.

Tools Required for Assembly : Phillips Screwdriver



**STEP 3** SLIDE BACK PANEL INTO THE GROOVE OF UNIT.



**STEP 4** ATTACH BOTTOM ASSEMBLY TO UNIT USING CAMLOCKS AND WOODEN DOWELS.

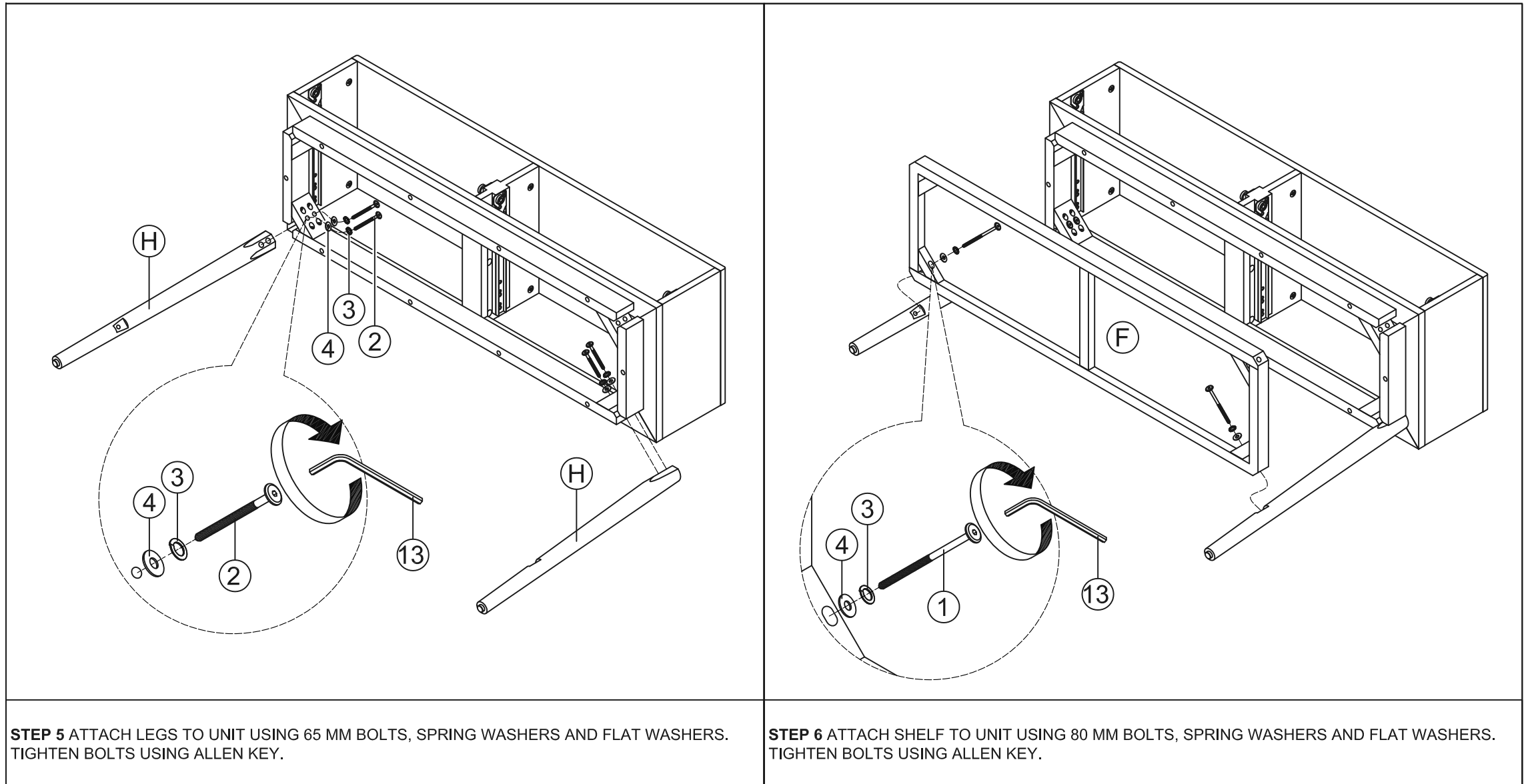
## PREPARATION

Before beginning assembly of product, make sure all parts are present. Compare parts with package contents list and hardware contents list.

If any part is missing or damaged, do not attempt to assemble the product.

Estimated Assembly Time: 60 minutes.

Tools Required for Assembly : Phillips Screwdriver



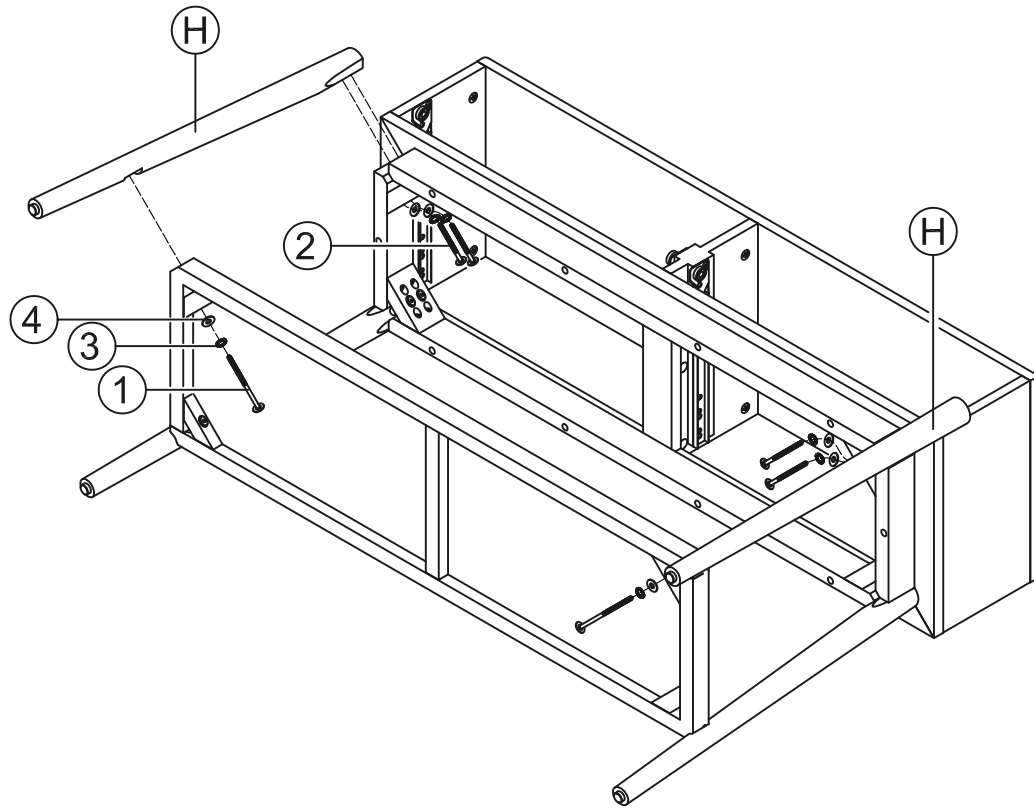
## PREPARATION

Before beginning assembly of product, make sure all parts are present. Compare parts with package contents list and hardware contents list.

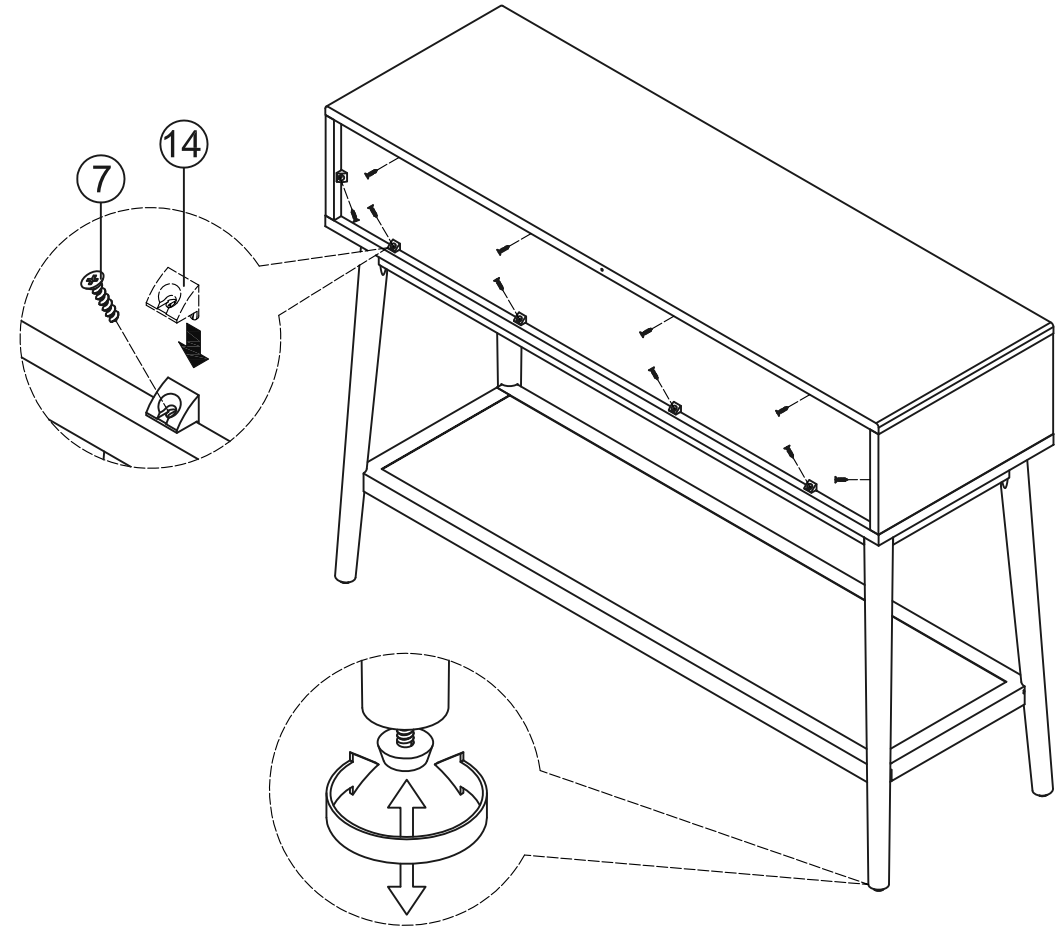
If any part is missing or damaged, do not attempt to assemble the product.

Estimated Assembly Time: 60 minutes.

Tools Required for Assembly : Phillips Screwdriver



**STEP 7** ATTACH LEGS TO UNIT USING 65 MM BOLTS, 80 MM BOLTS, SPRING WASHERS AND FLAT WASHERS. TIGHTEN BOLTS USING ALLEN KEY.



**STEP 8** ATTACH WEDGES TO UNIT USING 5/8" FLAT HEAD SCREWS. ADJUST THE ADJUSTER THAT HAS ALREADY BEEN ASSEMBLED TO THE LEGS TO STABILIZE YOUR UNIT.

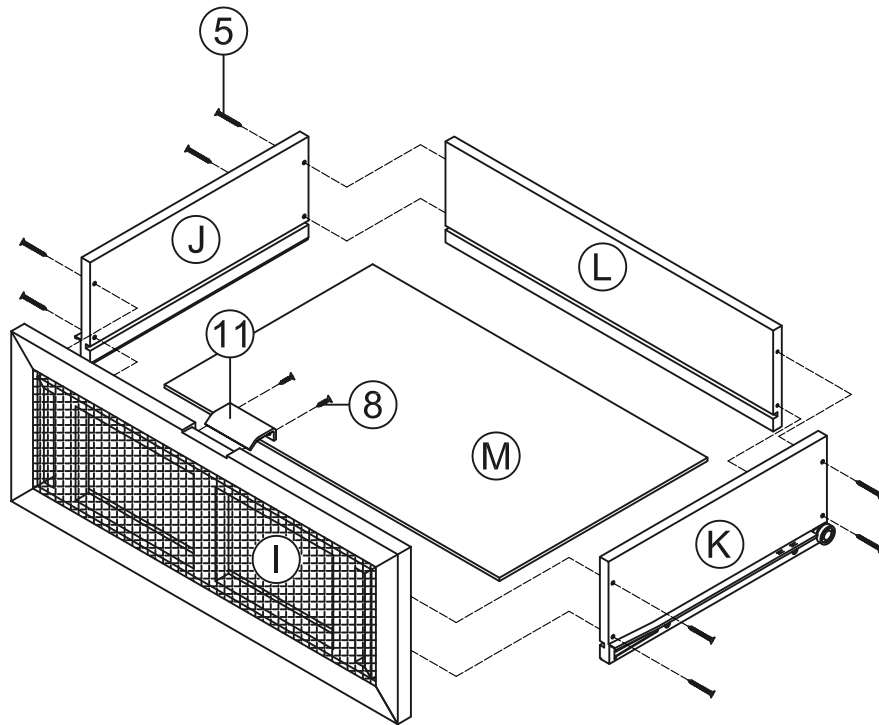
## PREPARATION

Before beginning assembly of product, make sure all parts are present. Compare parts with package contents list and hardware contents list.

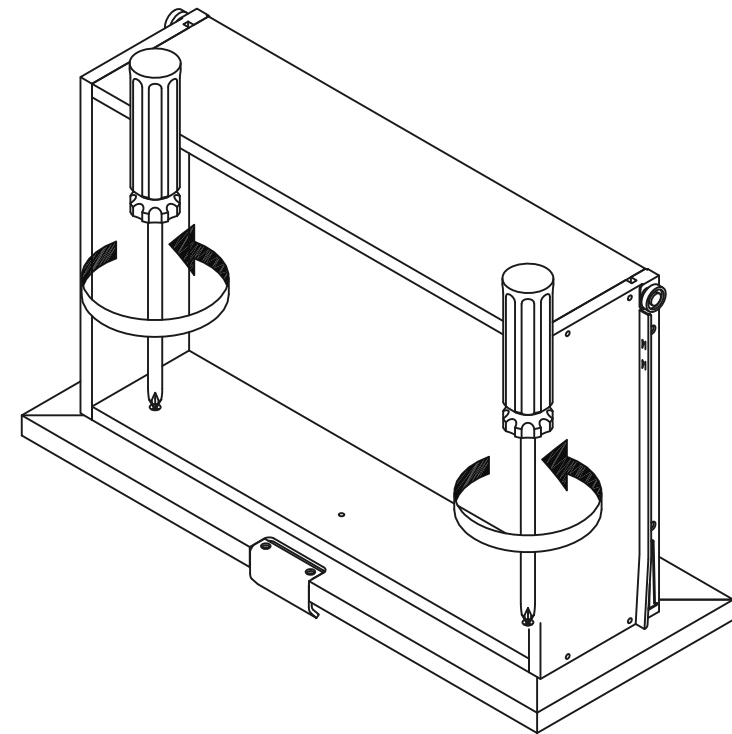
If any part is missing or damaged, do not attempt to assemble the product.

Estimated Assembly Time: 60 minutes.

Tools Required for Assembly : Phillips Screwdriver



**STEP 9** ATTACH HANDLES TO DRAWER FRONT USING 1/2" FLAT HEAD SCREWS. ATTACH DRAWER LEFT AND RIGHT TO DRAWER BACK USING 1 1/4" FLAT HEAD SCREWS. SLIDE DRAWER BASE INTO THE GROOVE. ATTACH DRAWER FRONT TO DRAWER LEFT AND RIGHT USING 1 1/4" FLAT HEAD SCREWS.



**STEP 10** LOOSEN SLIGHTLY THE SCREWS PRE-INSTALLED ON THE BACK OF THE DRAWER FRONTS.

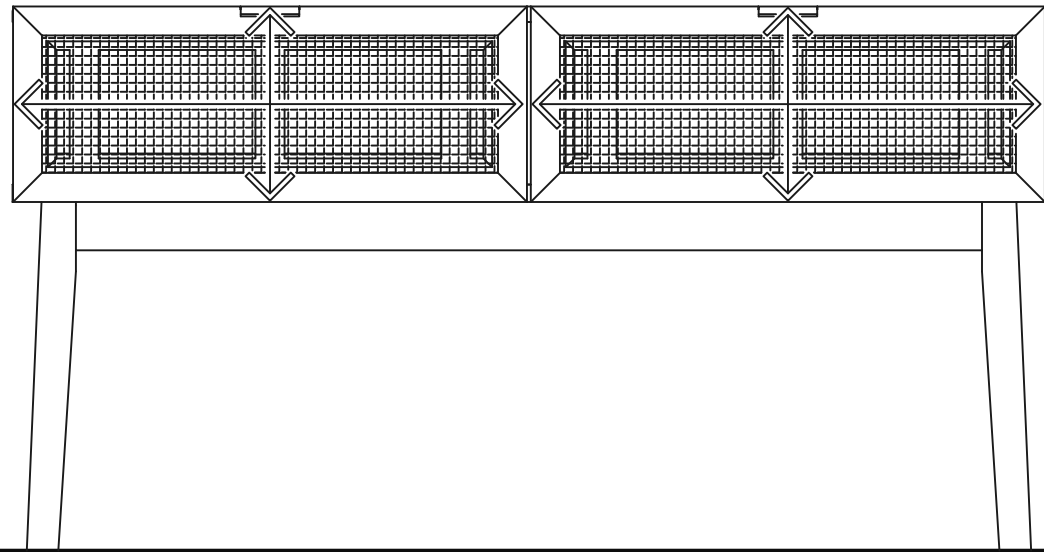
## PREPARATION

Before beginning assembly of product, make sure all parts are present. Compare parts with package contents list and hardware contents list.

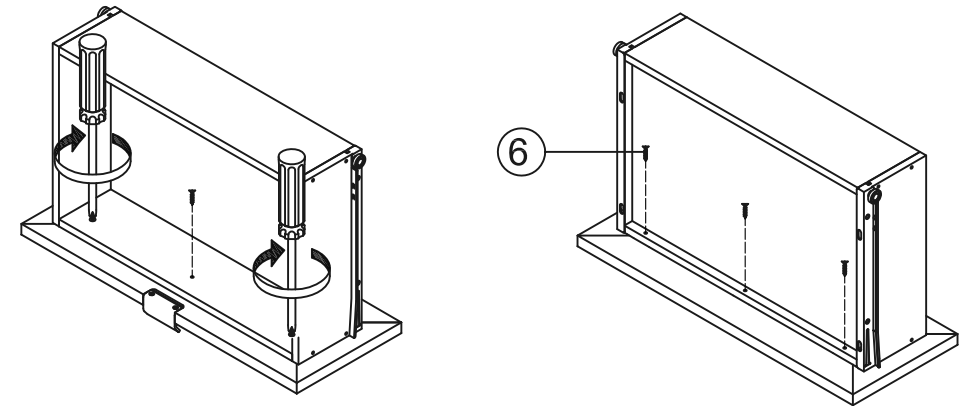
If any part is missing or damaged, do not attempt to assemble the product.

Estimated Assembly Time: 60 minutes.

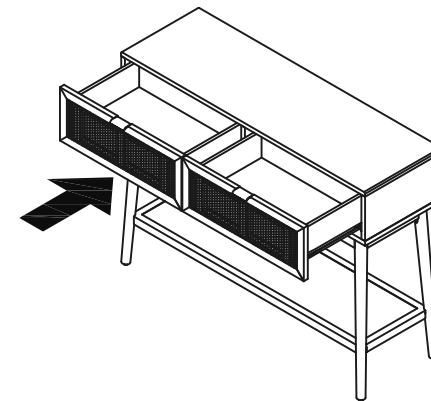
Tools Required for Assembly : Phillips Screwdriver



**STEP 11** INSERT THE DRAWER INTO THE UNIT, THEN ADJUST THE DRAWER FRONT PANEL LEFT OR RIGHT AND UP OR DOWN UNTIL THE DRAWER GAPS LOOK PROPORTIONAL.



**STEP 12** PULL THE DRAWER OPEN SLOWLY AND RE-TIGHTEN THE SCREWS FROM STEP 10. MAKE SURE THE FRONT PANEL DOES NOT MOVE AND LOCK THE DRAWER FRONT PANEL INTO POSITION WITH 3/4" FLAT HEAD SCREWS.



**STEP 13** SLIDE THE DRAWERS INTO UNIT.