

## CARE AND MAINTENANCE

Spot clean using a mild water-free solvent. Only a professional cleaner should undertake a complete overall cleaning.  
The use of steam or water-based cleaners may cause excessive shrinking or staining.

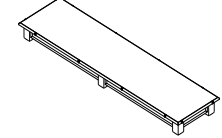
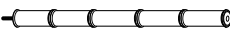
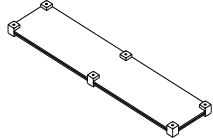

## NOTICE

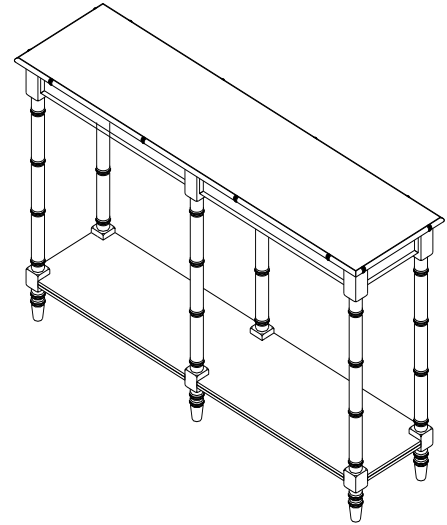
- \* Please make sure that you have all parts indicated before you begin assembly of this item
- \* This item should be assembled on a soft surface to prevent scratching the finish during assembly
- \* This item may require periodic tightening

## Part List and Hardware List

Model# CNS3500

Product Dimensions : 51.0"W x 13.3" D x 31.2" H

PIECE	DESCRIPTION	PICTURE	QUANTITY
A	TABLE TOP		1X
B	POST		6X
C	SHELF		1X
D	BUNFOOT		6X

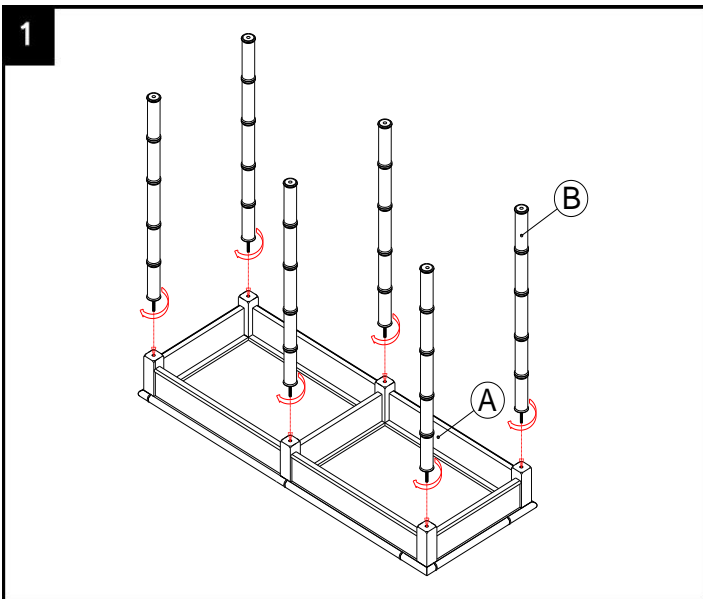


## PREPARATION

Before beginning assembly of product, make sure all parts are present. Compare parts with package contents list and hardware contents list.

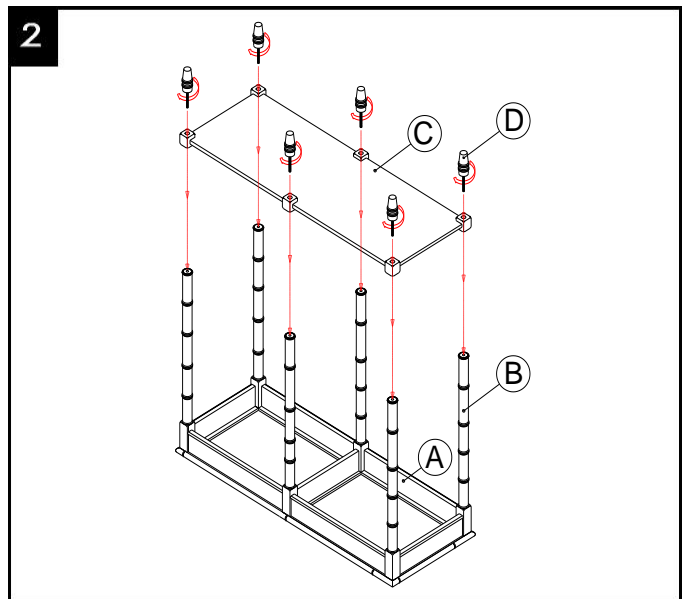
If any part is missing or damaged, do not attempt to assemble the product.

Estimated Assembly Time: 10 minutes.



### Step 1

Insert Bolted end of Post (B) into hole on bottom of Table Top (A). Twist 6 Posts clockwise until tight.



### Step 2

Position Shelf (C) on Posts (B) so that holes on Shelf align with holes on Posts. Insert Bolted end of Foot (D) into hole on Shelf and Post. Twist 6 Foot clockwise until tight.

