





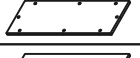
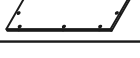
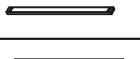
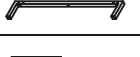


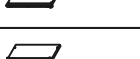
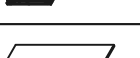


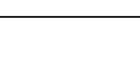
## CARE AND MAINTENANCE

Spot clean using a mild water-free solvent. Only a professional cleaner should undertake a complete overall cleaning.  
The use of steam or water-based cleaners may cause excessive shrinking or staining.

## NOTICE

- \* Please make sure that you have all parts indicated before you begin assembly of this item.
- \* This item should be assembled on a soft surface to prevent scratching the finish during assembly.
- \* This item may require periodic tightening.

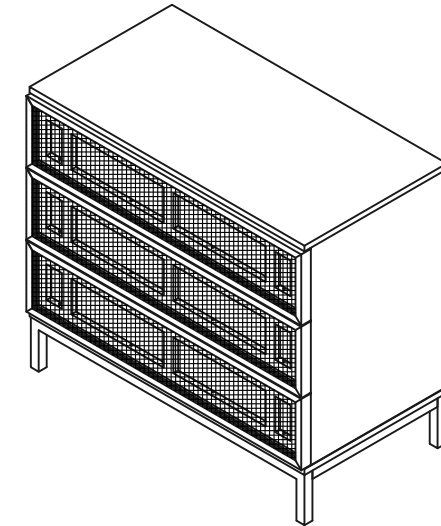
## Part List and Hardware List

PIECE	DESCRIPTION	PICTURE	QUANTITY
A	TOP PANEL		1X
B	LEFT PANEL		1X
C	RIGHT PANEL		1X
D	BOTTOM PANEL		1X
E	UPPER BACK PANEL		1X
F	LOWER BACK PANEL		1X
G	RAIL		1X
H	LEG FRAME		2X
I	SIDE FRAME		2X
J	DRAWER FRONT		3X
K	DRAWER LEFT		3X
L	DRAWER RIGHT		3X
M	DRAWER BACK		3X
N	DRAWER BASE		3X
O	DRAWER SUPPORT		3X

# SAFAVIEH FURNITURE




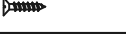
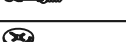



Model# CHS5004

Product Dimensions: 34"W x 18"D x 30"H



WEIGHT CAPACITY :  
TOP : 110 LBS  
DRAWER : 30 LBS

**WARNING: DO NOT OVER TORQUE  
BOLTS/SCREWS**

PIECE	DESCRIPTION	PICTURE	QUANTITY
1	45 MM BOLT	M6x45mm 	8X
2	35 MM BOLT	M6x35mm 	6X
3	1 1/4" FLAT HEAD SCREW	M3x32mm 	33X
4	3/4" FLAT HEAD SCREW	M3x19mm 	12X
5	CAMBOLT		29X
6	CAMLOCK		29X
7	DOWEL		8X
8	ALLEN KEY		1X

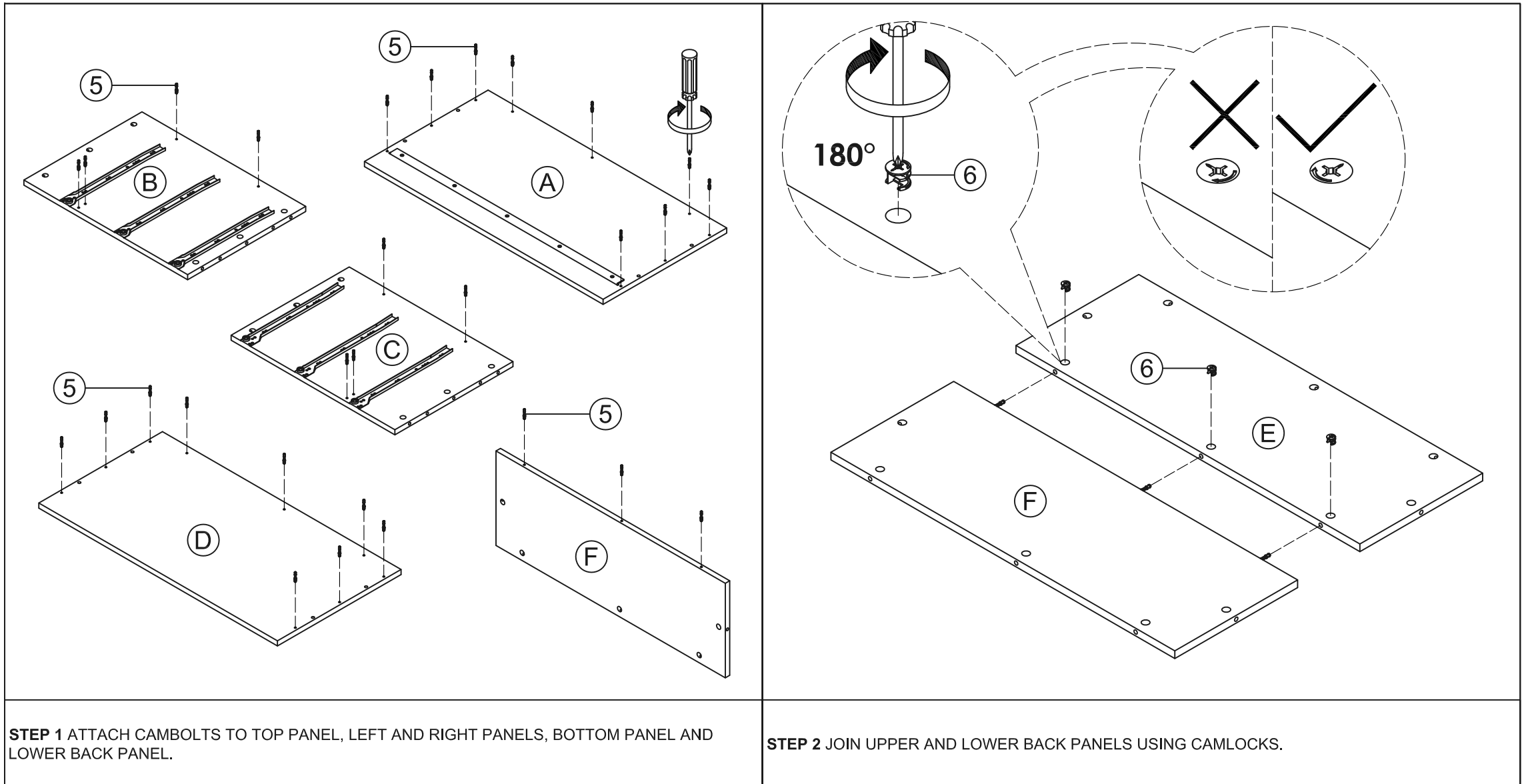
## PREPARATION

Before beginning assembly of product, make sure all parts are present. Compare parts with package contents list and hardware contents list.

If any part is missing or damaged, do not attempt to assemble the product.

Estimated Assembly Time: 60 minutes.

Tools Required for Assembly : Phillips Screwdriver



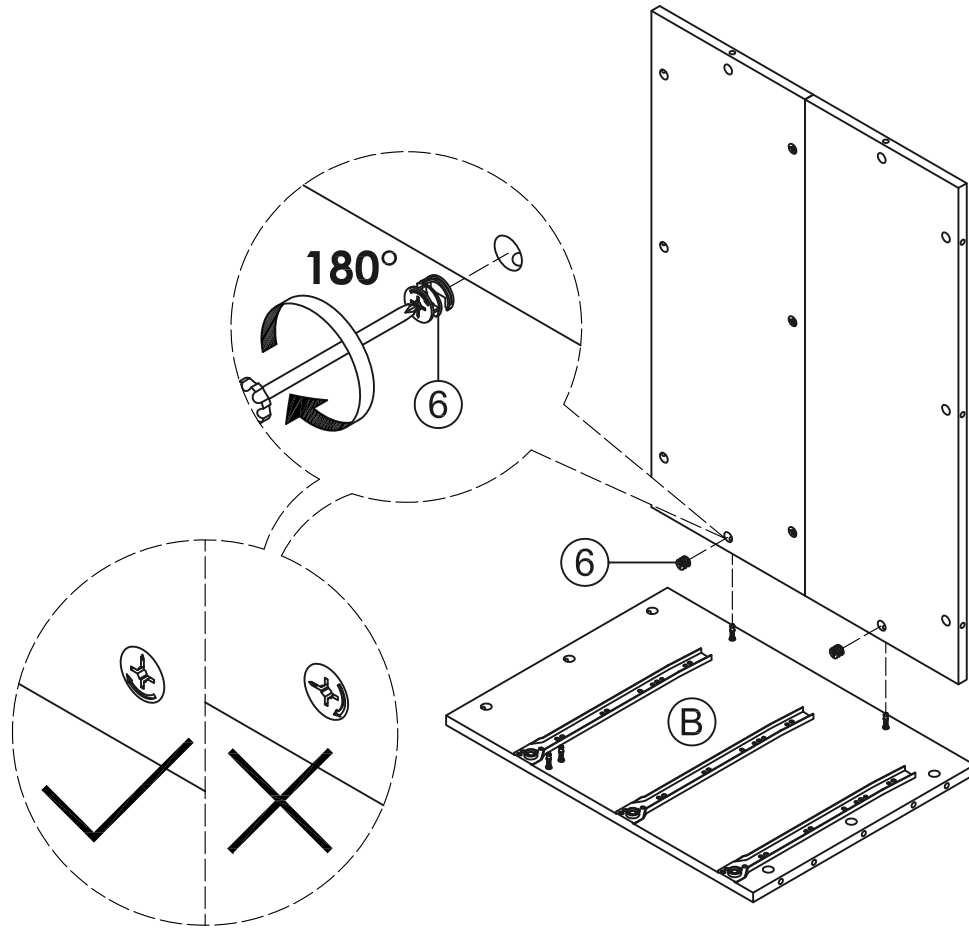
## PREPARATION

Before beginning assembly of product, make sure all parts are present. Compare parts with package contents list and hardware contents list.

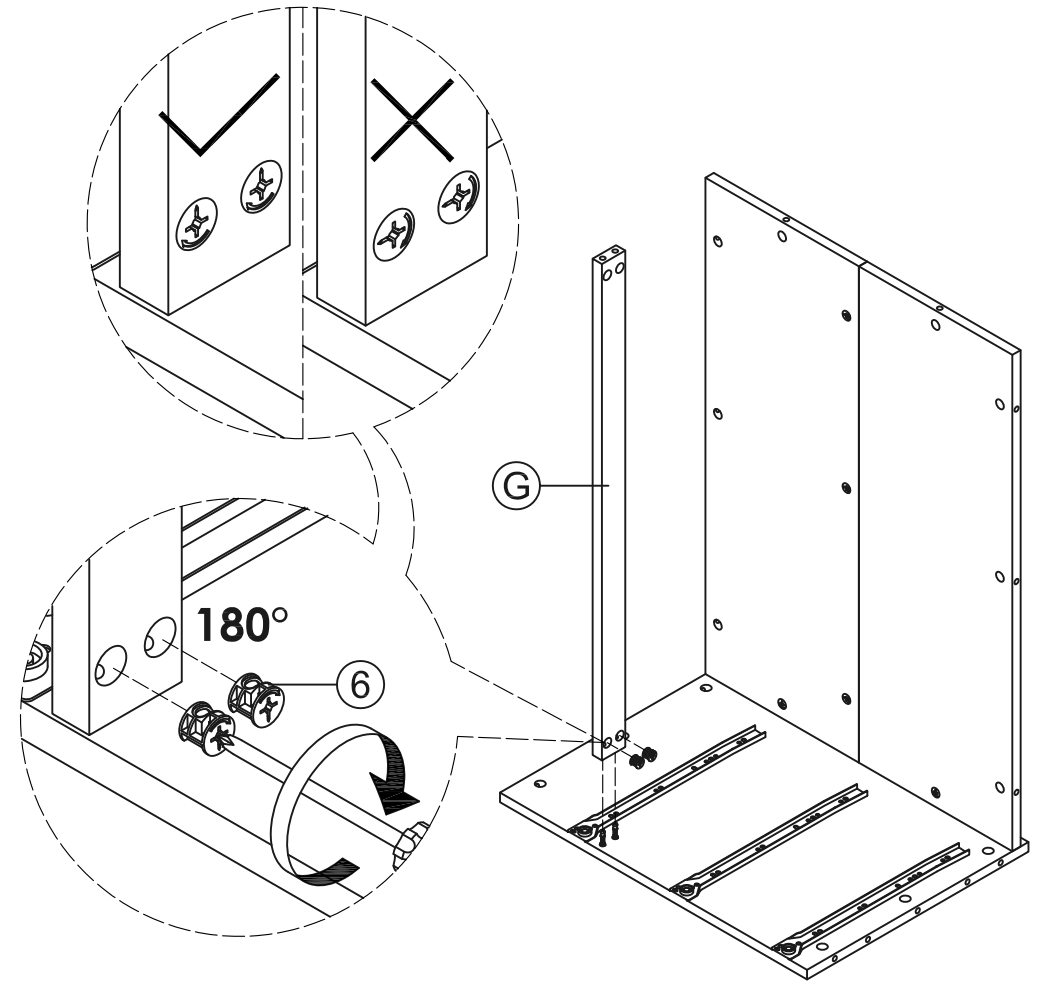
If any part is missing or damaged, do not attempt to assemble the product.

Estimated Assembly Time: 60 minutes.

Tools Required for Assembly : Phillips Screwdriver



**STEP 3** ATTACH BACK PANEL ASSEMBLY TO LEFT PANEL USING CAMLOCKS.



**STEP 4** ATTACH RAIL TO UNIT USING CAMLOCKS.

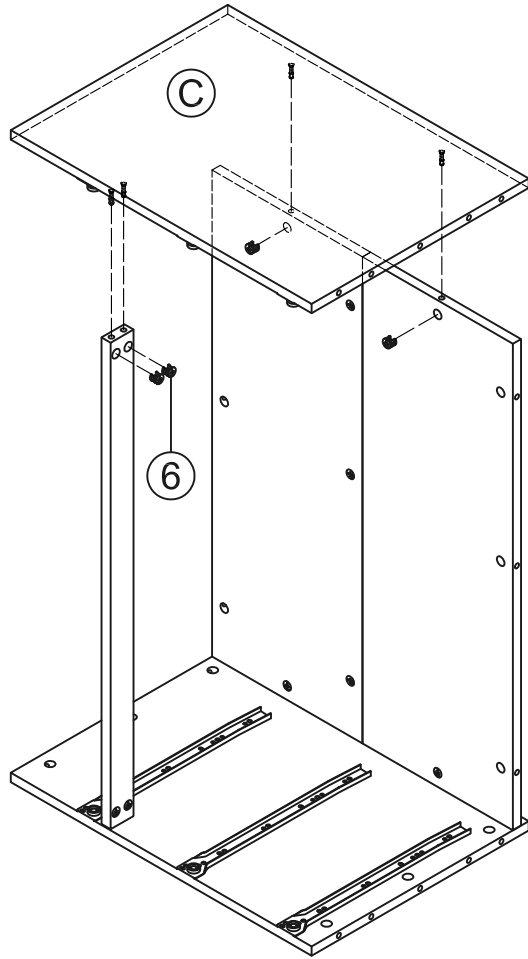
## PREPARATION

Before beginning assembly of product, make sure all parts are present. Compare parts with package contents list and hardware contents list.

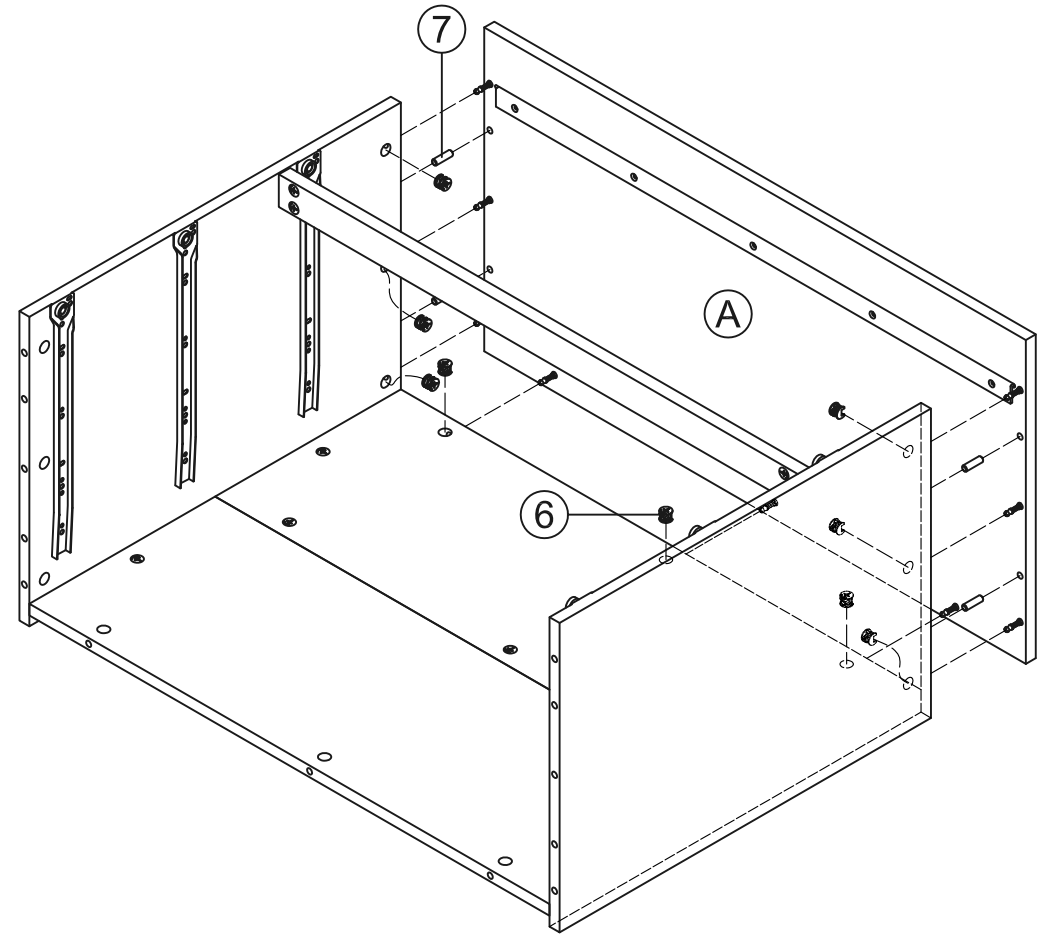
If any part is missing or damaged, do not attempt to assemble the product.

Estimated Assembly Time: 60 minutes.

Tools Required for Assembly : Phillips Screwdriver



**STEP 5** ATTACH RIGHT PANEL TO UNIT USING CAMLOCKS.



**STEP 6** ATTACH TOP PANEL TO UNIT USING CAMLOCKS AND DOWELS.

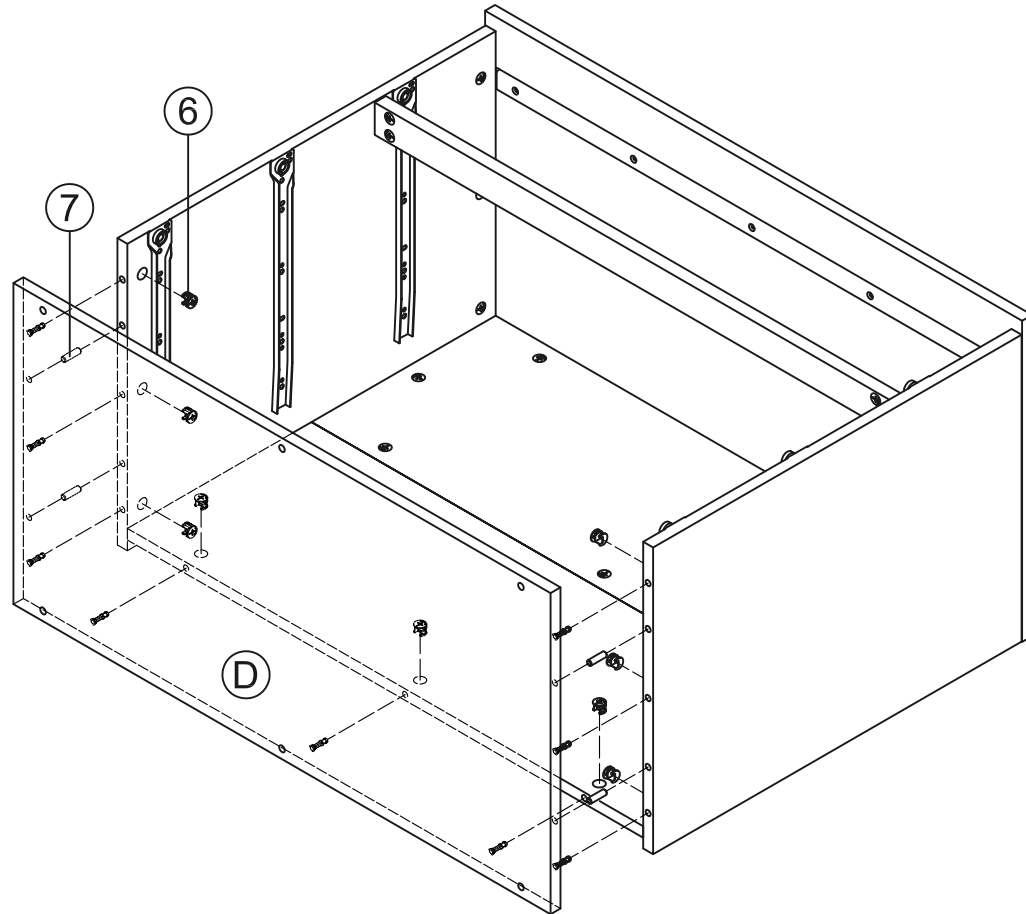
## PREPARATION

Before beginning assembly of product, make sure all parts are present. Compare parts with package contents list and hardware contents list.

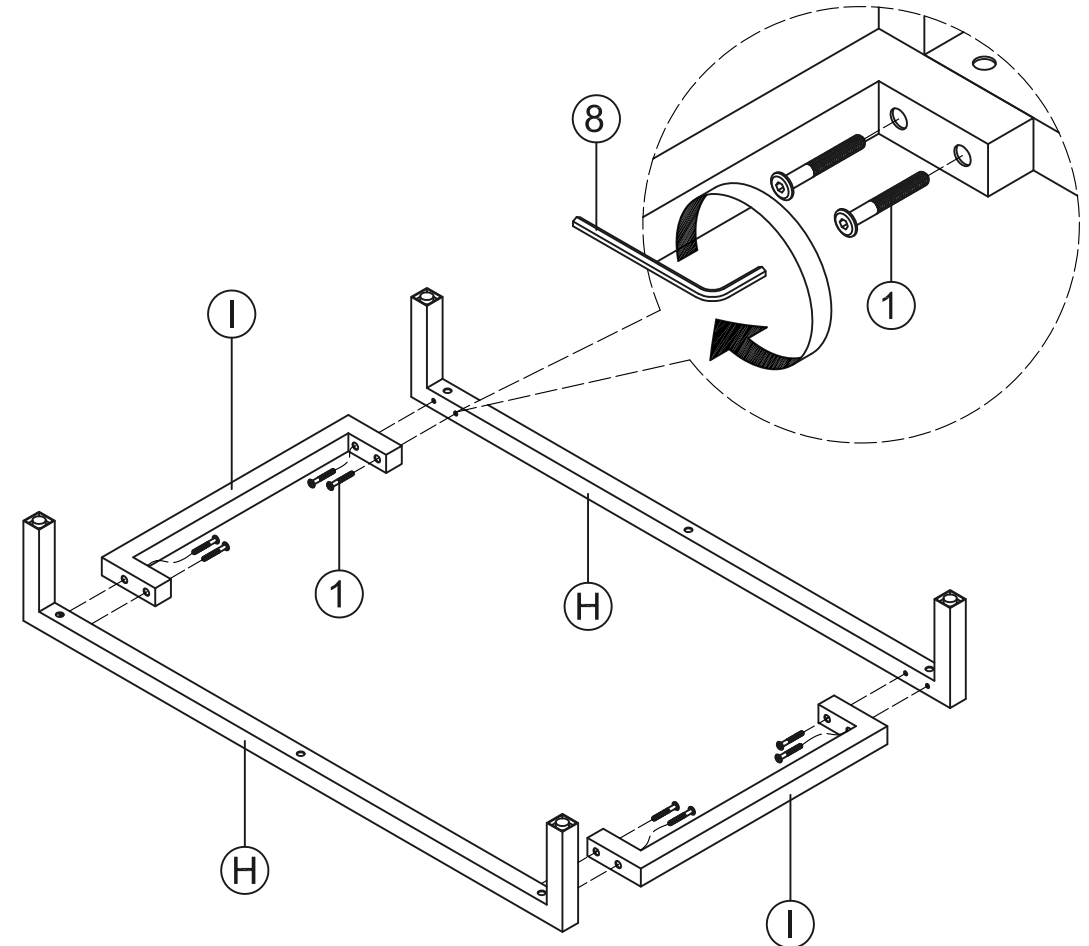
If any part is missing or damaged, do not attempt to assemble the product.

Estimated Assembly Time: 60 minutes.

Tools Required for Assembly : Phillips Screwdriver



**STEP 7** ATTACH BOTTOM PANEL TO UNIT USING CAMLOCKS AND DOWELS.



**STEP 8** ATTACH SIDE FRAMES TO LEG FRAMES USING 45 MM BOLTS. TIGHTEN THE BOLTS USING ALLEN KEY.

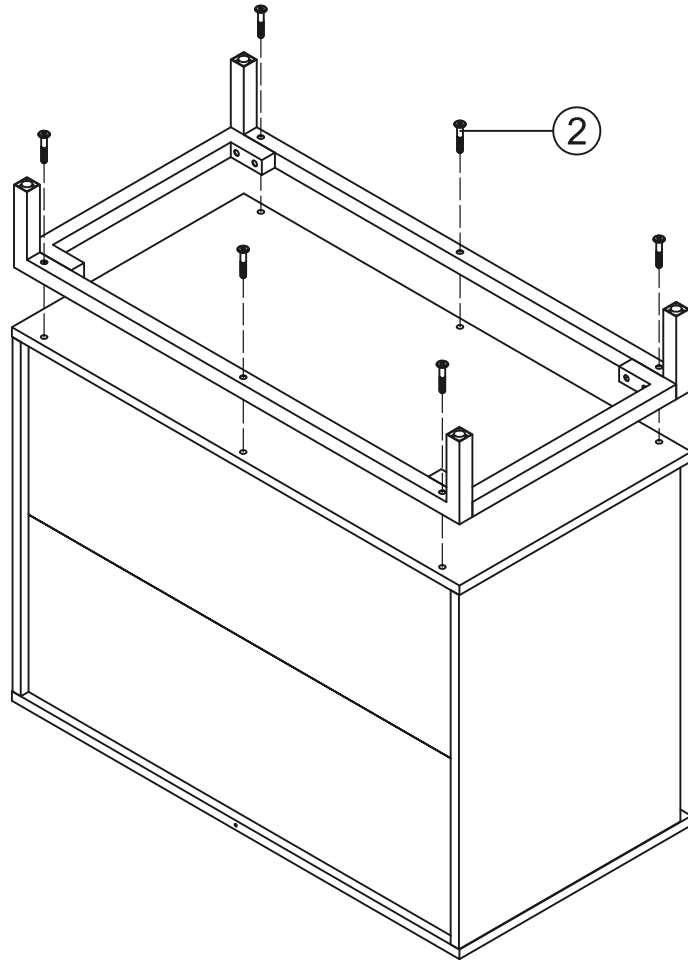
## PREPARATION

Before beginning assembly of product, make sure all parts are present. Compare parts with package contents list and hardware contents list.

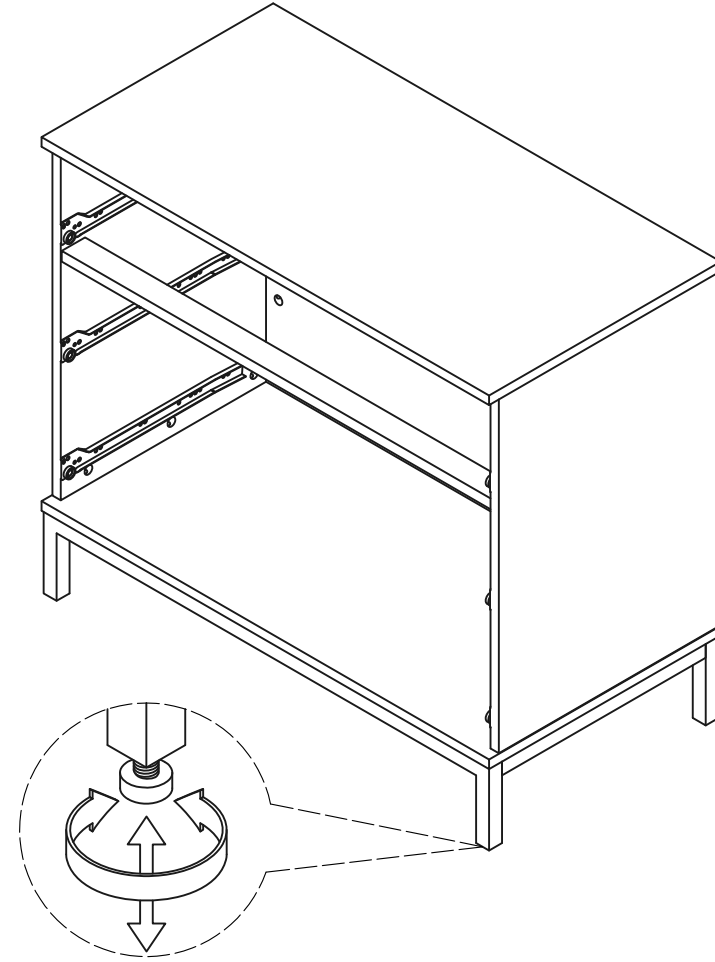
If any part is missing or damaged, do not attempt to assemble the product.

Estimated Assembly Time: 60 minutes.

Tools Required for Assembly : Phillips Screwdriver



**STEP 9** ATTACH UNIT FROM STEP 8 TO UNIT FROM STEP 7 USING 35 MM BOLTS. TIGHTEN THE BOLTS USING ALLEN KEY.



**STEP 10** ADJUST THE ADJUSTER THAT HAS ALREADY BEEN ASSEMBLED TO THE LEGS TO STABILIZE YOUR UNIT.

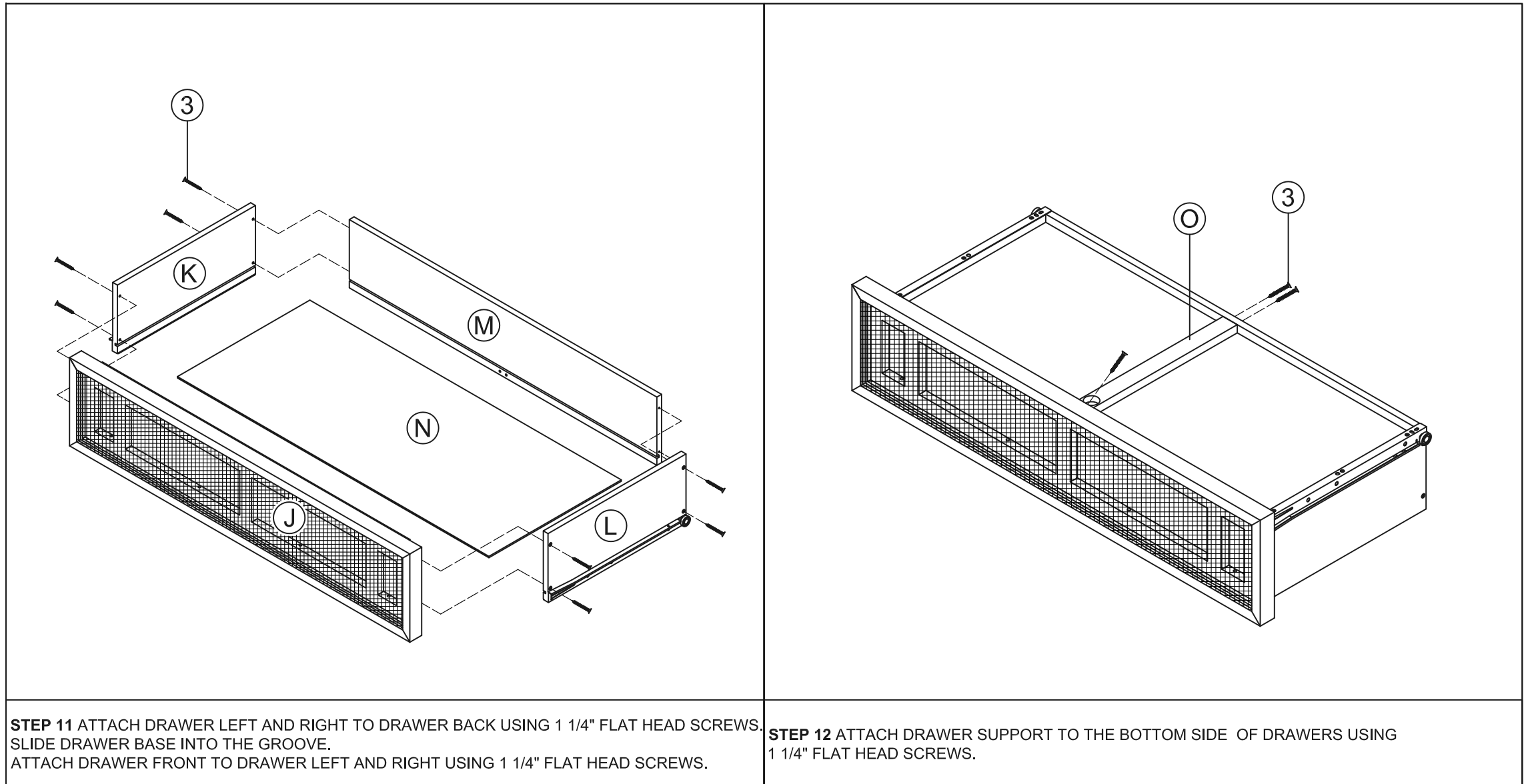
## PREPARATION

Before beginning assembly of product, make sure all parts are present. Compare parts with package contents list and hardware contents list.

If any part is missing or damaged, do not attempt to assemble the product.

Estimated Assembly Time: 60 minutes.

Tools Required for Assembly : Phillips Screwdriver



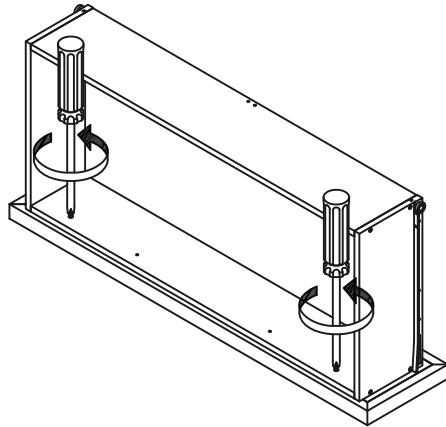
## PREPARATION

Before beginning assembly of product, make sure all parts are present. Compare parts with package contents list and hardware contents list.

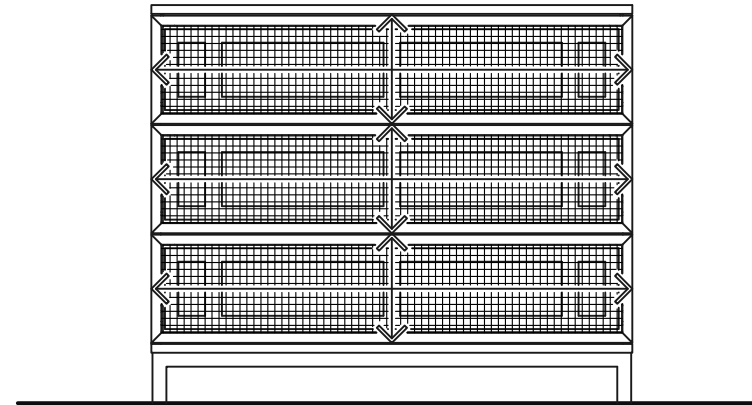
If any part is missing or damaged, do not attempt to assemble the product.

Estimated Assembly Time: 60 minutes.

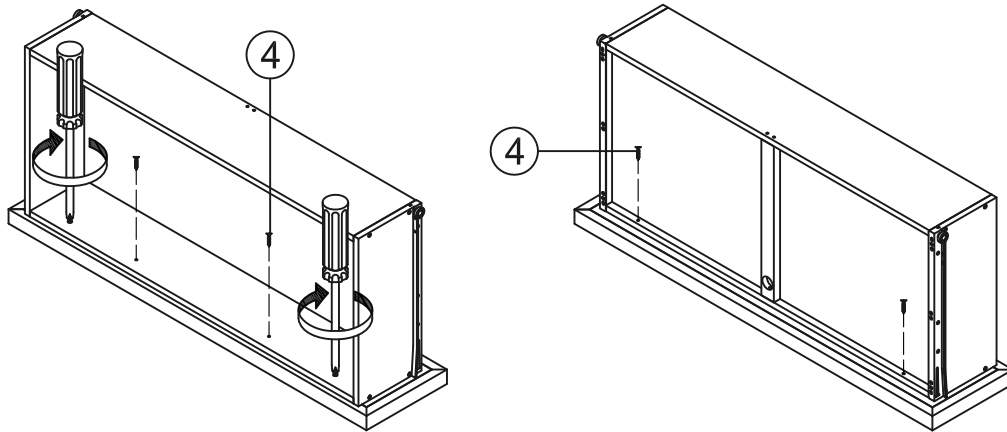
Tools Required for Assembly : Phillips Screwdriver



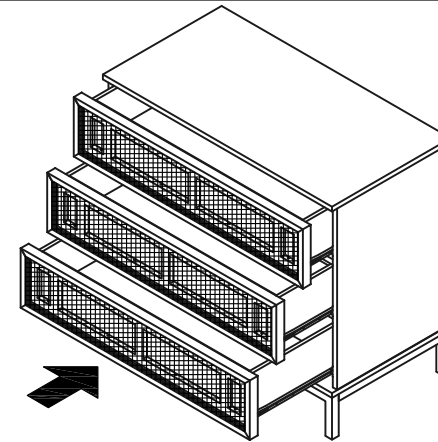
**STEP 13** LOOSEN SLIGHTLY THE SCREWS PRE-INSTALLED ON THE BACK OF THE DRAWER FRONTS.



**STEP 14** INSERT THE DRAWER INTO THE UNIT, THEN ADJUST THE DRAWER FRONT PANEL LEFT OR RIGHT AND UP OR DOWN UNTIL THE DRAWER GAPS LOOK PROPORTIONAL.



**STEP 15** PULL THE DRAWER OPEN SLOWLY AND RE-TIGHTEN THE SCREWS FROM STEP 13. MAKE SURE THE FRONT PANEL DOES NOT MOVE AND LOCK THE DRAWER FRONT PANEL INTO POSITION WITH 3/4" FLAT HEAD SCREWS.



**STEP 16** SLIDE THE DRAWERS INTO UNIT.