

CARE AND MAINTENANCE

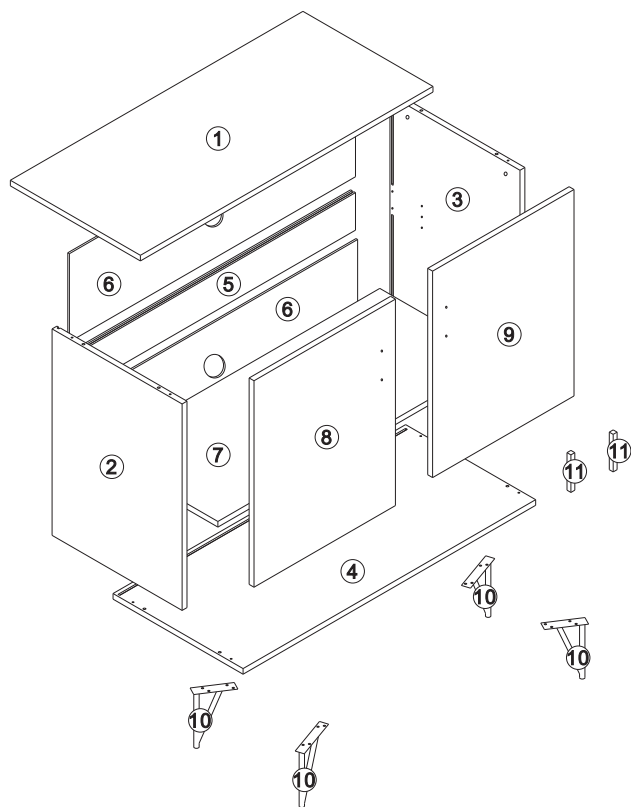
Always use felt pads under all articles to prevent discoloration or softening of the lacquer. Plastic and rubber bases on items can discolor wood. Wipe up spills immediately and avoid common hazards such as hot dishes, harsh solvents and abrasives. Cleaning should be done with a soft lint free cotton cloth dampened with water or furniture polish. On highly used surfaces we recommend applying a quality paste wax which should be used on a regular basis to provide additional protection from scratches and spills. How often you apply the wax depends on how much wear the furniture receives.

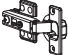







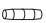



NOTICE

- * Please make sure that you have all parts indicated before you begin assembly of this item
- * This item should be assembled on a soft surface to prevent scratching the finish during assembly
- * This item may require periodic tightening

 **SAFAVIEH**
FURNITURE

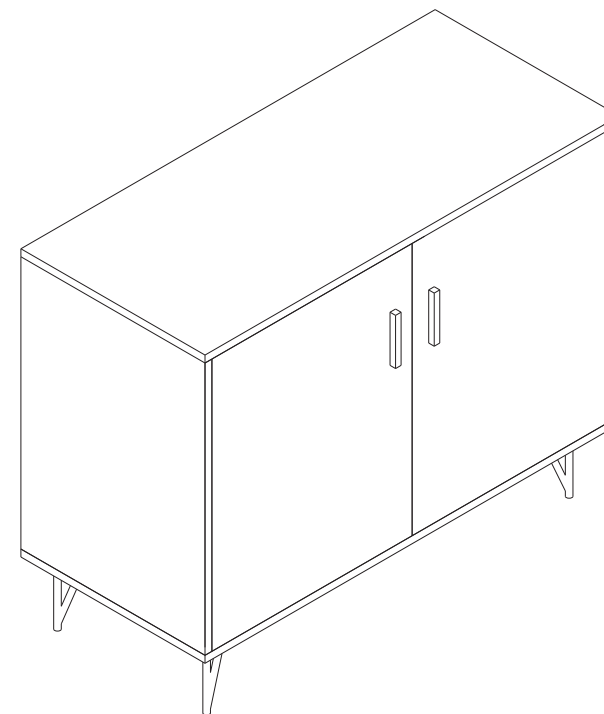
Part List and Hardware List



Ax4 	Bx8 
Cx8 	Dx8 
Ex4 	Fx16  6x12mm
Gx4 	Hx4  3.5x16mm
Ix4 	Jx4  4x22mm
Kx24  4x14mm	Lx1 

Model# CHS2200

Product Dimensions: 35.4"W×15.7"D×28.7"H



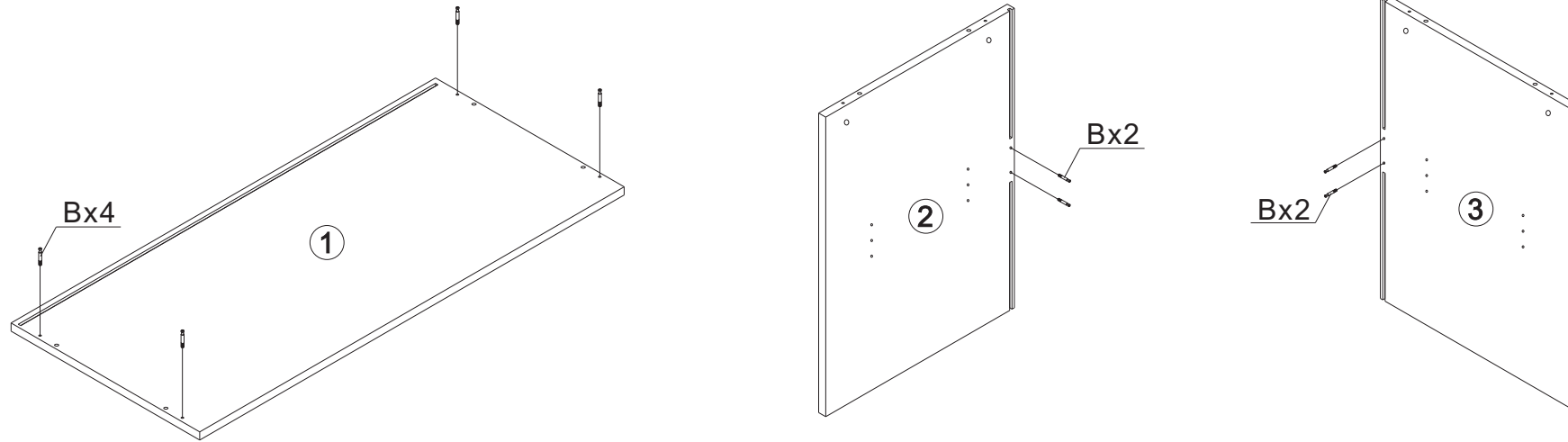
PREPARATION

Before beginning assembly of product, make sure all parts are present. Compare parts with package contents list and hardware contents list.

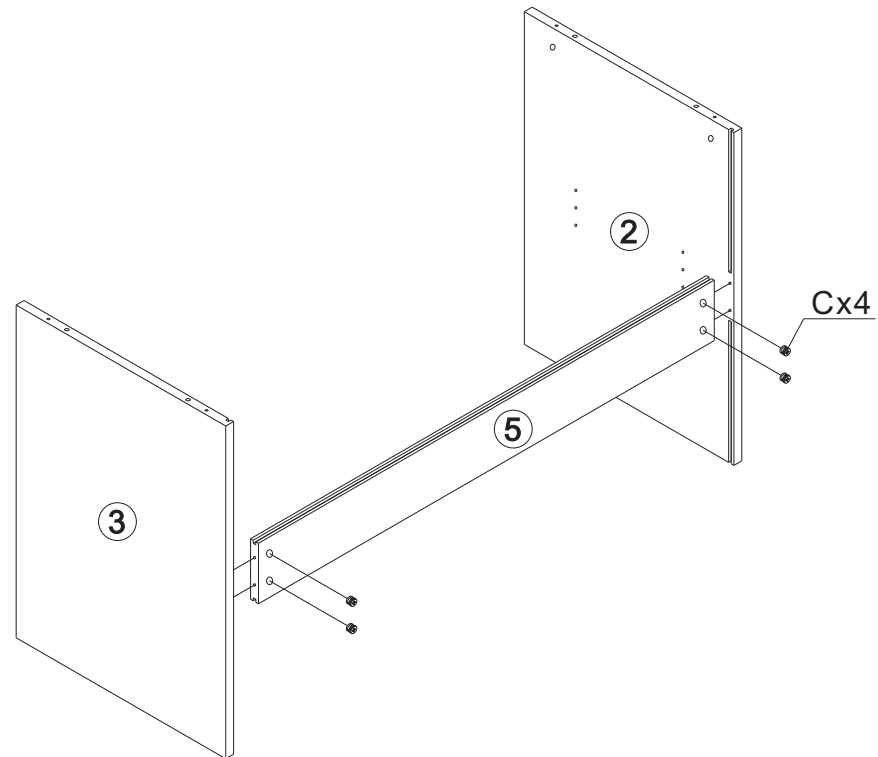
If any part is missing or damaged, do not attempt to assemble the product.

Estimated Assembly Time: 60 minutes.

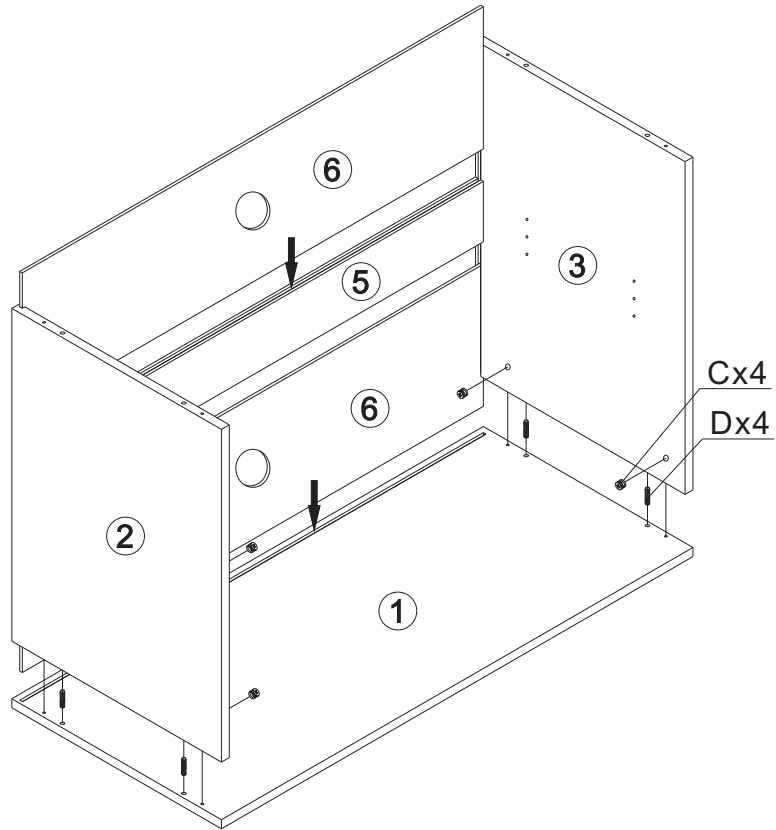
1



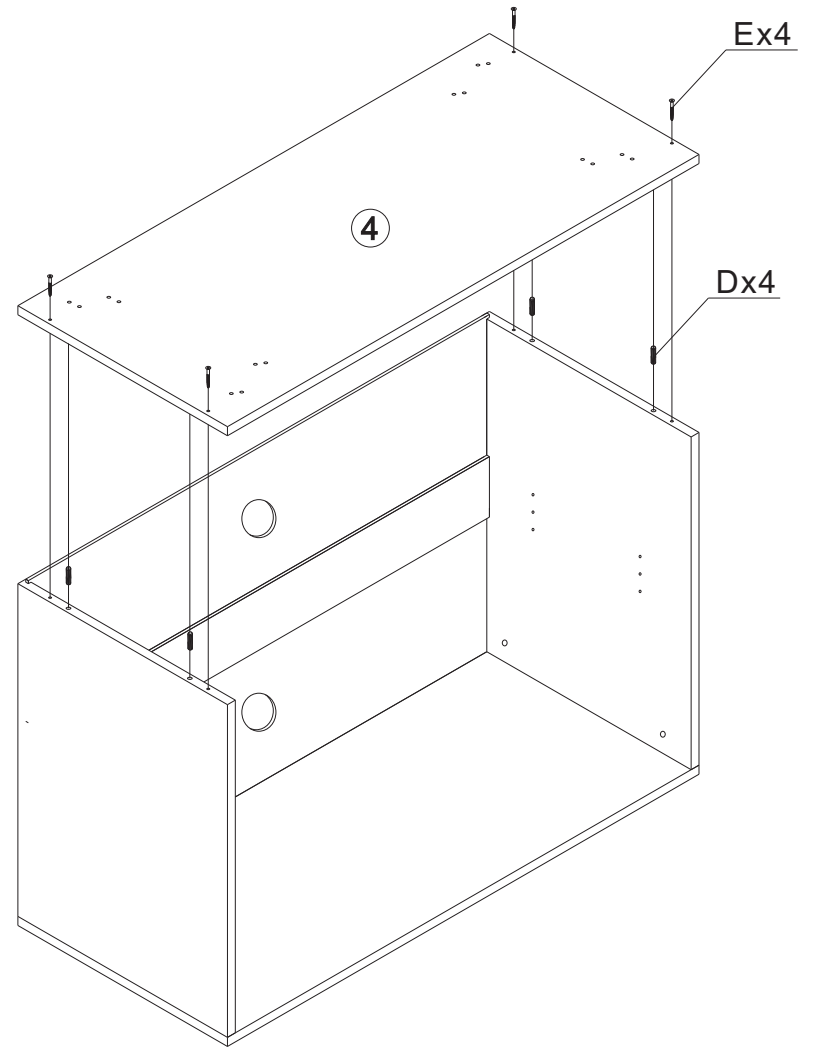
2



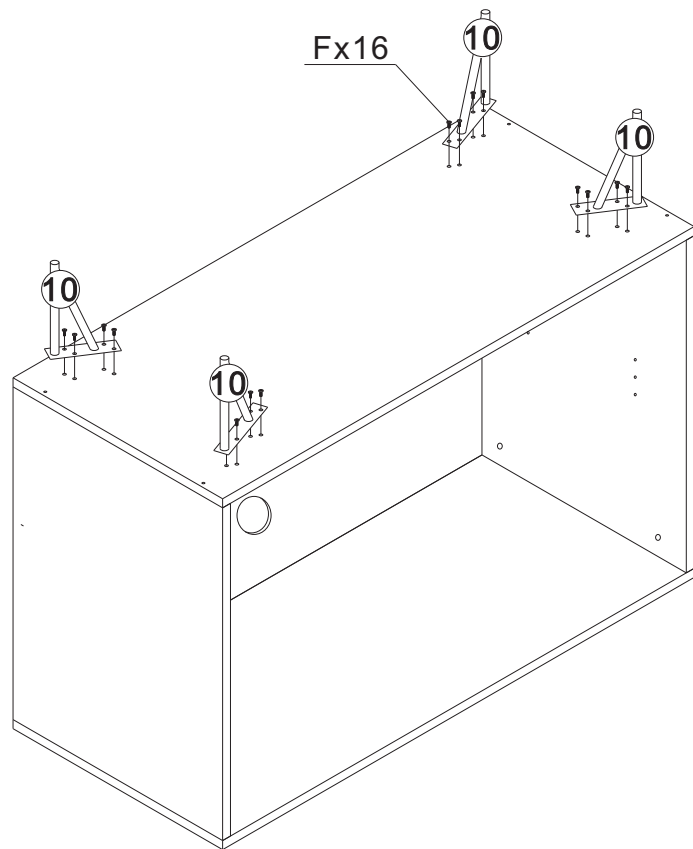
3



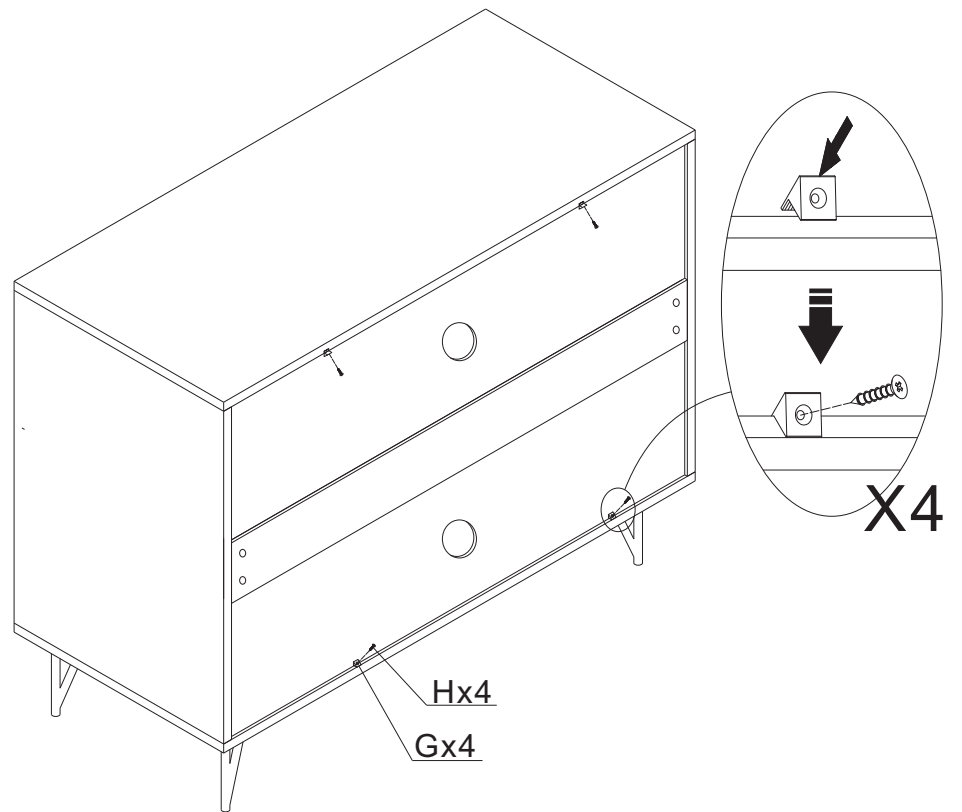
4



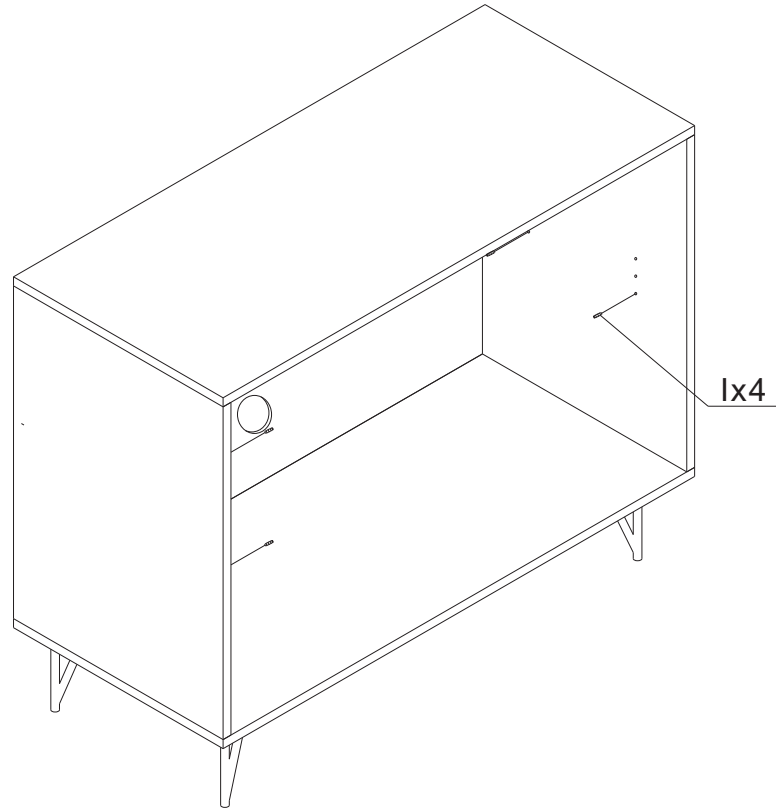
5



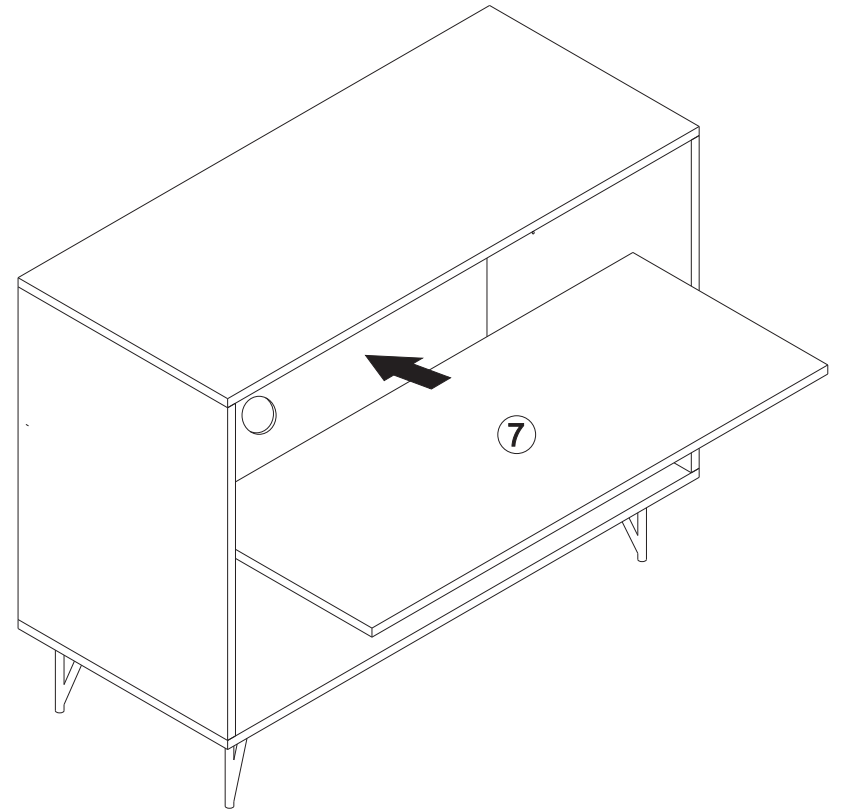
6



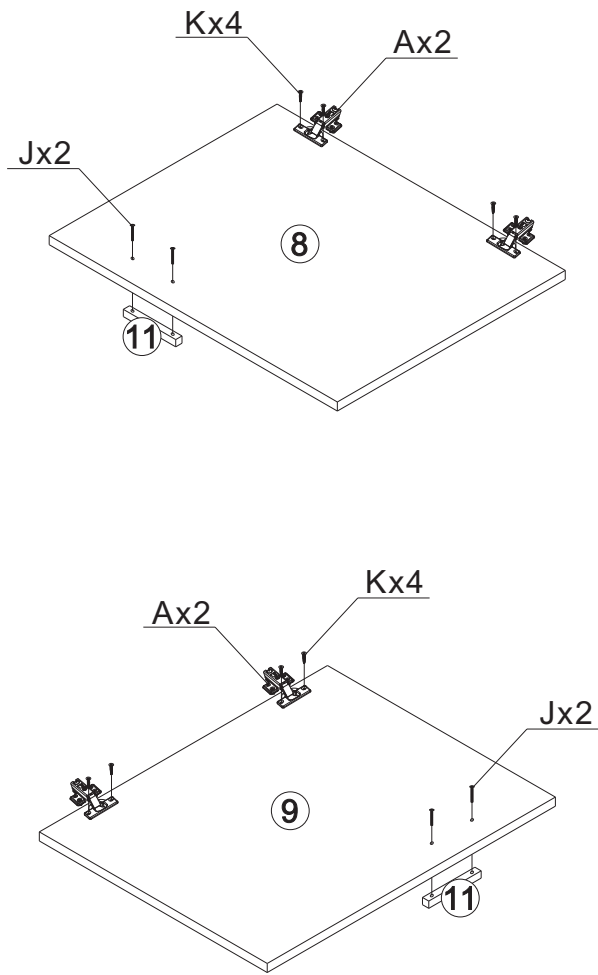
7



8



9



10

