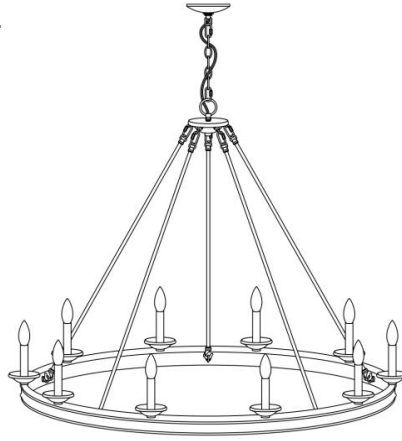


SAFAVIEH LIGHTING

Assembly Instruction

CAUTION: Read instruction carefully and turn electricity off at main circuit breaker panel before beginning installation.

ITEM#:CHA4017



Care and Cleaning

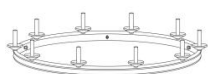


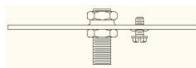

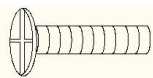
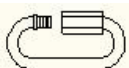


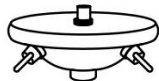
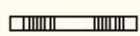


To clean the outside of the fixture, use a dry or slightly dampened clean cloth (use clean water, never a solvent) to wipe the surface of the fixture.

To clear the inside of the fixture, first disconnect power to the fixture by turning off the circuit breaker or by removing the fuse at the fuse box. Next, use a dry or slightly dampened clean cloth (use clean water, never a solvent) to wipe the interior surface of the fixture.

Do not use any cleaners with chemical, solvents or harsh abrasives. Use Only a dry soft cloth to dust or wipe carefully.

Estimated Assembly Time: 30 minutes

Part List and Hardware List

PIECE	DESCRIPTION	PICTURE	QUANTITY	PIECE	DESCRIPTION	PICTURE	QUANTITY
A	Lamp Body		1X	H	Canopy		1X
B	Bulb		10X	I	Mounting Plate		1X
C	Fixture Loop		1X	J	Mounting Screw		2X
D	Closable Link		7X	K	Wire Nut		3X
E	Chain		1X	L	Loop Assembly		1X
F	Canopy Nut		1X	M	Connecting Rod		5X
G	Hanging Loop		1X				

Installation

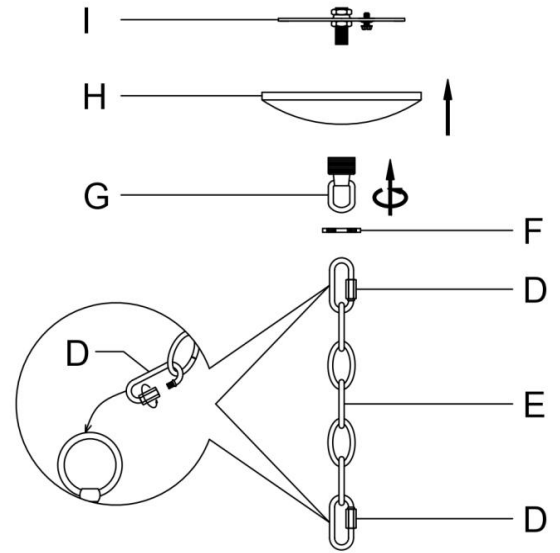
Step 1

Unpack all parts from cartons carefully.

Place the Canopy(H) onto the Hanging Loop(G)

Place the tube of Mounting Plate(I) into the threaded portion of the Hanging Loop(G) and fix it by turning the Canopy Nut(F) clockwise till tight.

Attach the Closable Link(D) onto the Hanging Loop(G)

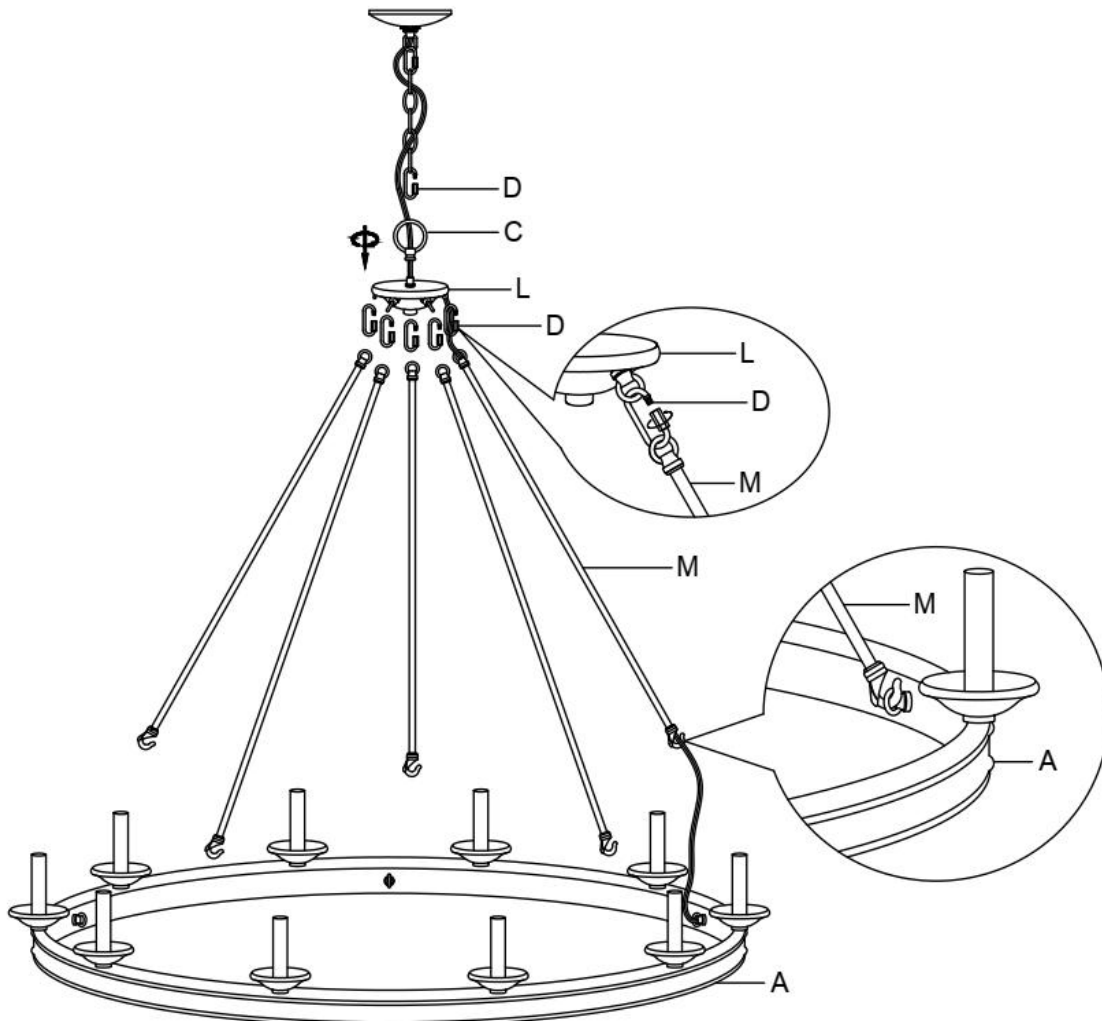


Step 2

Thread Fixture Loop (C) to Loop Assembly (L).

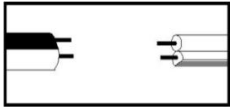
Attach the Closable Link(D) onto the Fixture Loop (C)

Respectively attach the Closable Link(D) onto the loop of the Loop Assembly (L) and Connecting Rod (M), then respectively attach clip of the Loop Assembly (L) to ring of the Lamp Body.



Step 3 Wire connection

Connect, Hot, Black or Red outlet Supply Wire to:	Connect, Neutral, White Outlet Supply Wire to:
Black	White
*Parallel Cord(round&smooth)	*Parallel Cord(square&ridged)
Clear, Brown, Gold or Black without Tracer(colored stripes)	Clear, Brwn, Gold or Black without Tracer(colored stripes)
Insulated Wire(not green)with copper metal conductor	Insulated Wire(not green)with Silver metal conductor



*Note: When parallel wire(SPTI&SPTII)is used. The neutral wire is square shaped and ridged and the hot wire will be round in shape and smooth.(See illustration on left)



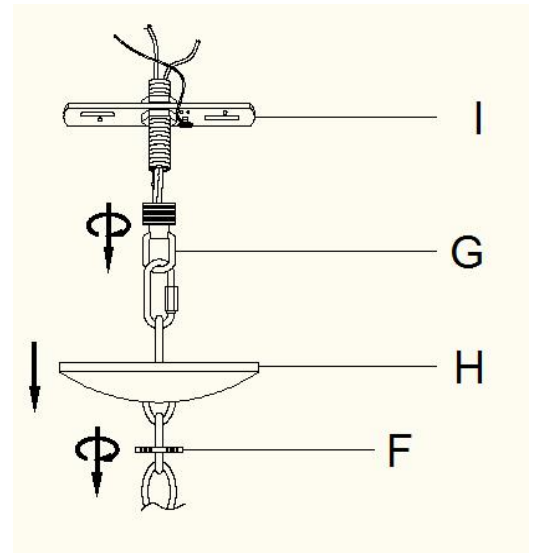
Grounding Instructions:

- For installation in the United States: Wrap ground wire from outlet box around green ground screw on mounting bracket, no less than 2" from wire end. Tighten ground screw. If fixture is supplied with a ground wire, connect to outlet ground wire with a wire connector.
- For installation in Canada: If fixture is supplied with ground wire, wrap ground wire around green grounding screw on mounting bracket. Tighten ground screw.

Step 4

Install the Mounting Plate(I) to the junction box with Mounting Screw (J)

Separate the Mounting Plate(I) from the Canopy(H) by turning the Canopy Nut(F) anti-clockwise.



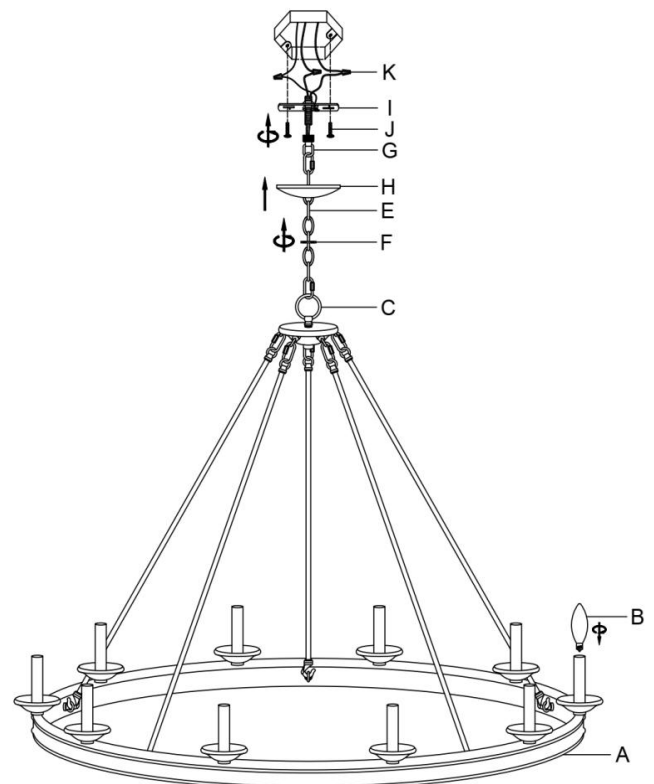
Step 5

Attach the Canopy(H) to the junction box and fix it by turning the Canopy Nut(F) clockwise

Insert the bulbs (B) into the Sockets

PLEASE USE TYPE "B" BULB MAX 40-WATT OR CFL BULB MAX 13-WATT OR LED BULB MAX 9-WATT

THERE ARE 10PCS LED 4-WATT BULB IN THE



Step 6

Consult a qualified electrician to ensure correct branch circuit conductor.

ENJOY YOUR LAMP