




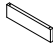









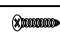


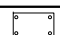


CARE AND MAINTENANCE

Wipe clean with a soft, dry cloth. Test the cleaning method on a hidden area before using them over the entire area.

NOTICE

- * Please make sure that you have all parts indicated before you begin assembly of this item.
- * This item should be assembled on a soft surface to prevent scratching the finished product during assembly.
- * This item may require periodic tightening.
- * Do not tighten bolts until completely assembled.

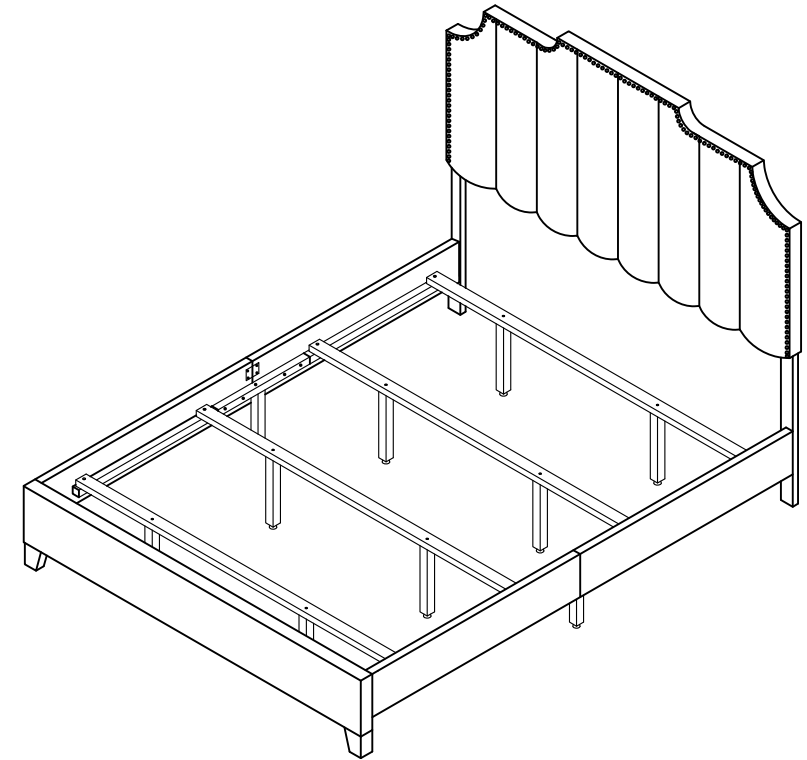
Part List and Hardware List

PIECE	DESCRIPTION	PICTURE	QUANTITY
A	Headboard		1X
B	L-Post		1X
C	R-Post		1X
D	Footboard		1X
E	Support Legs Of Slats		8X
F	SUpport Legs Of Rails		2X
G	Slat		4X
H	L-Rail		2X
I	R-Rail		2X
J	Wood Leg		2X
K	Wood Bar		2X
HW1	Hex Socket Bolt 5/16"-18x2-1/2"		10X
HW2	Hex Socket Bolt 5/16"-18x2"		10X
HW3	Allen Key 5mm		1X
HW4	Wood Screw ø8x30mm		8X
HW5	Wood Screw ø8x15mm		8X
HW6	Hex Socket Bolt 5/16"-18x3"		2X
HW7	Hex Socket Bolt 5/16"-18x1-1/2"		8X
HW8	Metal Plate 50*33*3mm		2X

 **SAFAVIEH**
FURNITURE

Model# BED6300-F

Product Dimensions: 81.5"W*58"Dx55"H



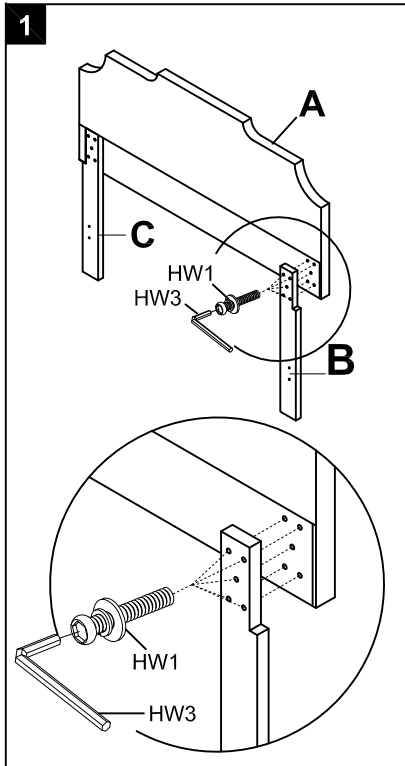
Weight capacity : 550 lbs
WARNING : DO NOT STAND ON THE BED

PREPARATION

Before beginning assembly of product, make sure all parts are present. Compare parts with package contents list and hardware contents list. If any part is missing or damaged, do not attempt to assemble the product.

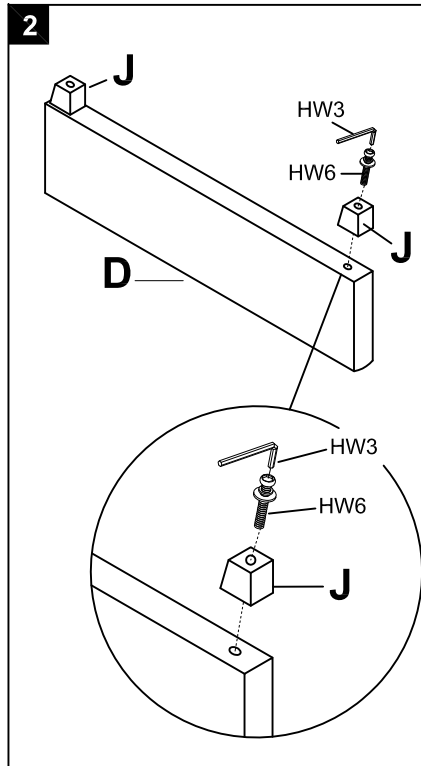
Estimated Assembly Time: 30 minutes.

Tools Required for Assembly : Allen Key (included) and Philips head screwdriver (not included)



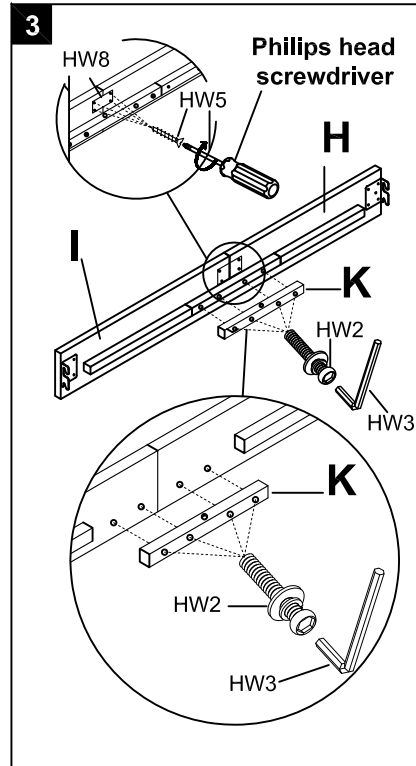
Step 1

Attach L/R posts (B&C) to the back side of headboard (A) by using Allen key (HW3) to lock with 10*Hex Socket Bolts (HW1).



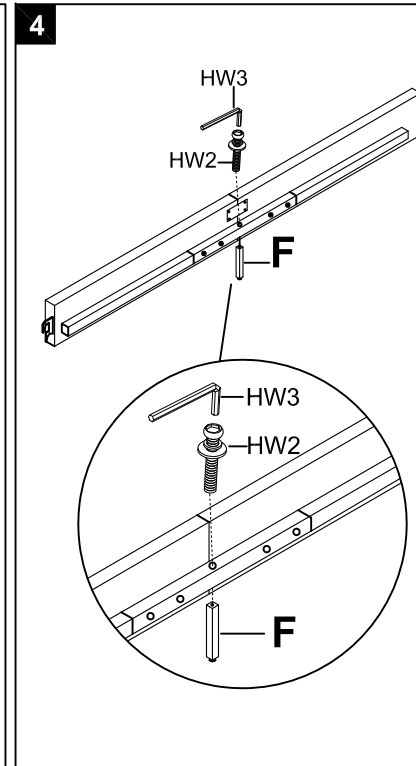
Step 2

Attach 2*wood legs (J) to the bottom of footboard (D), Using Allen Key (HW3) to lock with 2*Hex Socket Bolts (HW6)



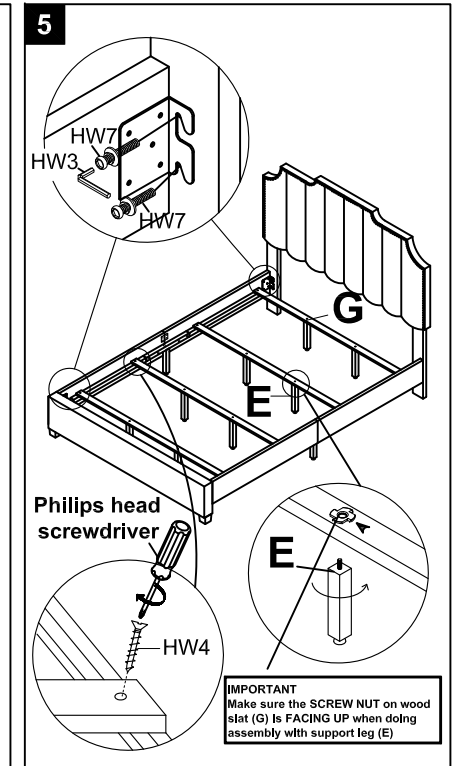
Step 3

Attach wood bar (K) to the 2*rails (H & I), Using Allen Key (HW3) to lock with 4*Hex Socket Bolts (HW2). Lock the both side rails (H & I) (front & rear of rail) tight and alignment with a metal plate (HW8) and use the Philips head screwdriver (not included) to lock with 4*wood screws (HW5), As picture. (Repeat afore-mentioned to assemble another set of side rail)



Step 4

Attach support leg (F) to under the assembled wood bar (K), Using Allen Key (HW3) to lock with 1*Hex Socket Bolts (HW2), As picture. (Repeat afore-mentioned to assemble another set of side rail)



Step 5

Attach the end of assembled 2*side rails to L/R post (B/C) & footboard (D), Using Allen Key (HW3) to lock with 8*Hex Socket Bolts (HW7), As picture. Attach 2*support legs (E) to each slat (G). Lock the 4*slats (G) tight with wood bar (both inside of rails) by using the Philips head screwdriver (not included) to lock with 8*wood screws (HW4), As picture. Assembly is completed.

IMPORTANT
Make sure the SCREW NUT on wood slat (G) is FACING UP when doing assembly with support leg (E)



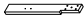
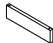










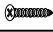



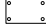
CARE AND MAINTENANCE

Wipe clean with a soft, dry cloth. Test the cleaning method on a hidden area before using them over the entire area.

NOTICE

- * Please make sure that you have all parts indicated before you begin assembly of this item.
- * This item should be assembled on a soft surface to prevent scratching the finished product during assembly.
- * This item may require periodic tightening.
- * Do not tighten bolts until completely assembled.

Part List and Hardware List

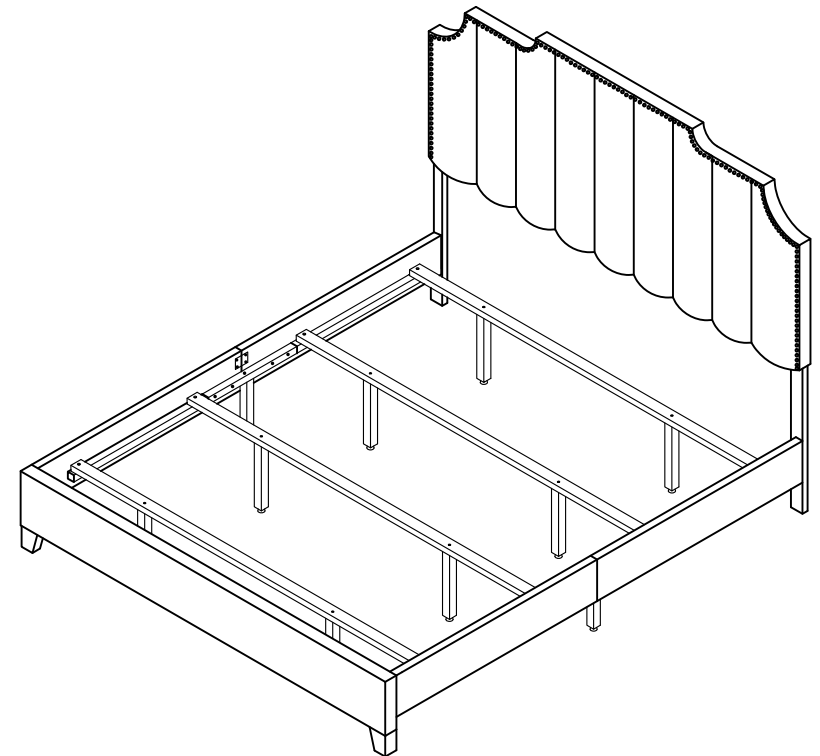
PIECE	DESCRIPTION	PICTURE	QUANTITY
A	Headboard		1X
B	L-Post		1X
C	R-Post		1X
D	Footboard		1X
E	Support Legs Of Slats		8X
F	SUpport Legs Of Rails		2X
G	Slat		4X
H	L-Rail		2X
I	R-Rail		2X
J	Wood Leg		2X
K	Wood Bar		2X
HW1	Hex Socket Bolt 5/16"-18x2-1/2"		10X
HW2	Hex Socket Bolt 5/16"-18x2"		10X
HW3	Allen Key 5mm		1X
HW4	Wood Screw Ø8x30mm		8X
HW5	Wood Screw Ø8x15mm		8X
HW6	Hex Socket Bolt 5/16"-18x3"		2X
HW7	Hex Socket Bolt 5/16"-18x1-1/2"		8X
HW8	Metal Plate 50*33*3mm		2X

SAFAVIEH

FURNITURE

Model# BED6300-Q

Product Dimensions: 87.5"W*64"Dx55"H



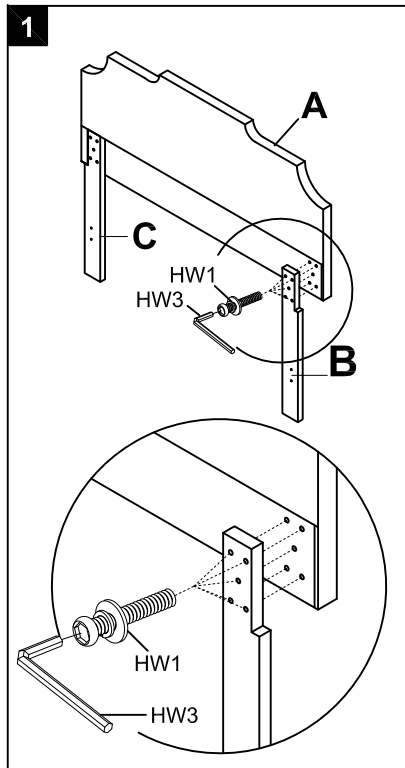
Weight capacity : 550 lbs
WARNING : DO NOT STAND ON THE BED

PREPARATION

Before beginning assembly of product, make sure all parts are present. Compare parts with package contents list and hardware contents list. If any part is missing or damaged, do not attempt to assemble the product.

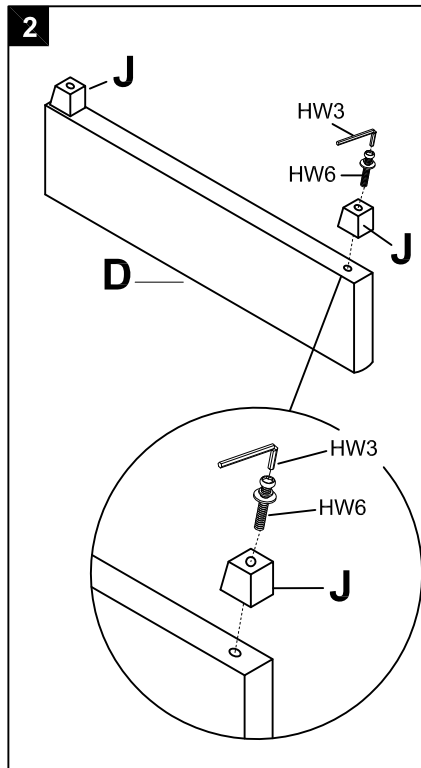
Estimated Assembly Time: 30 minutes.

Tools Required for Assembly : Allen Key (included) and Philips head screwdriver (not included)



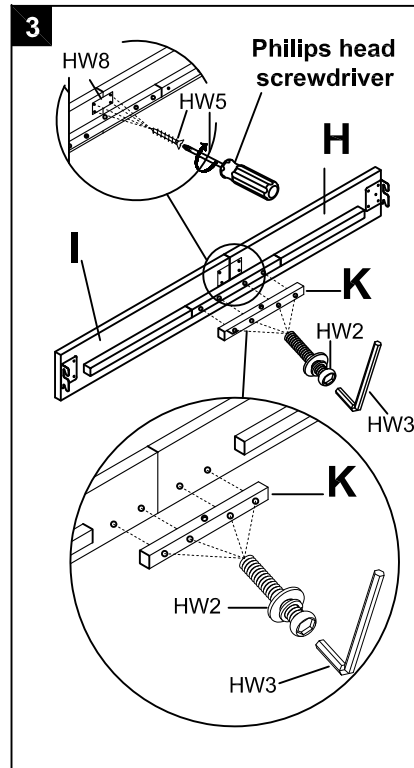
Step 1

Attach L/R posts (B&C) to the back side of headboard (A) by using Allen key (HW3) to lock with 10*Hex Socket Bolts (HW1).



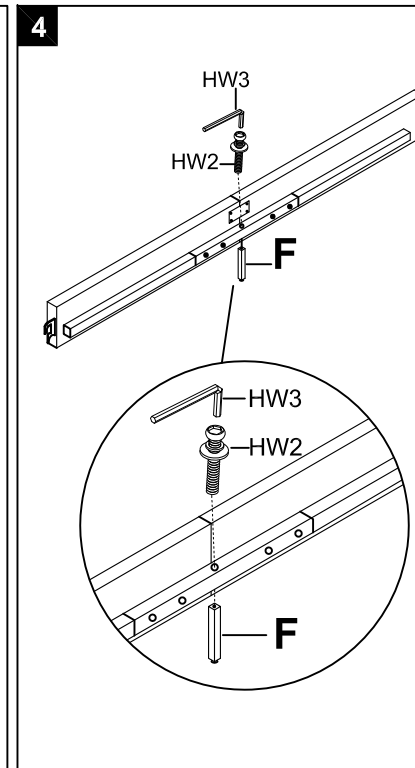
Step 2

Attach 2*wood legs (J) to the bottom of footboard (D), Using Allen Key (HW3) to lock with 2*Hex Socket Bolts (HW6)



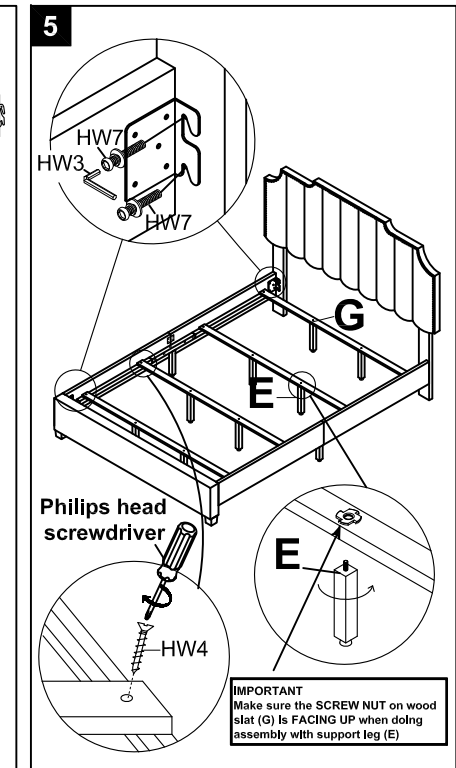
Step 3

Attach wood bar (K) to the 2*rails (H & I), Using Allen Key (HW3) to lock with 4*Hex Socket Bolts (HW2). Lock the both side rails (H & I) (front & rear of rail) tight and alignment with a metal plate (HW8) and use the Philips head screwdriver (not included) to lock with 4*wood screws (HW5), As picture. (Repeat afore-mentioned to assemble another set of side rail)



Step 4

Attach support leg (F) to under the assembled wood bar (K), Using Allen Key (HW3) to lock with 1*Hex Socket Bolts (HW2), As picture. (Repeat afore-mentioned to assemble another set of side rail)



Step 5

Attach the end of assembled 2*side rails to L/R post (B/C) & footboard (D), Using Allen Key (HW3) to lock with 8*Hex Socket Bolts (HW7), As picture. Attach 2*support legs (E) to each slat (G). Lock the 4*slats (G) tight with wood bar (both inside of rails) by using the Philips head screwdriver (not included) to lock with 8*wood screws (HW4), As picture. Assembly is completed.