

NOTICE

- * Please make sure that you have all parts indicated and they are in good condition before you begin assembly of this item. Refer to part list and hardware list below for guidance.
- * This item should be assembled on a soft surface to prevent scratching the finish during assembly.
- * This item may require periodic tightening.
- * If you having difficulty, our friendly Customer Care team is always here to help. Please email customersupport@safavieh.com


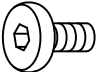

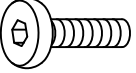


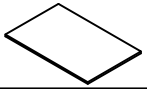


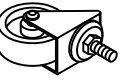


PREPARATION

- * Before beginning assembly of product, make sure all parts are present. Compare parts with part contents list and hardware contents list.
- * If any part is missing or damaged, do not attempt to assemble the product.
- * Estimated Assembly Time: 30 minutes.
- * Tools Required for Assembly (included): Allen Key

CARE AND MAINTENANCE

Always use felt pads under all articles to prevent discoloration or softening of the lacquer. Plastic and rubber bases on items can discolor wood. Wipe up spills immediately and avoid common hazards such as hot dishes, harsh solvents and abrasives. Cleaning should be done with a soft lint free cotton cloth dampened with water or furniture polish. On highly used surfaces we recommend applying a quality paste wax which should be used on a regular basis to provide additional protection from scratches and spills. How often you apply the wax depends on how much wear the furniture receives.

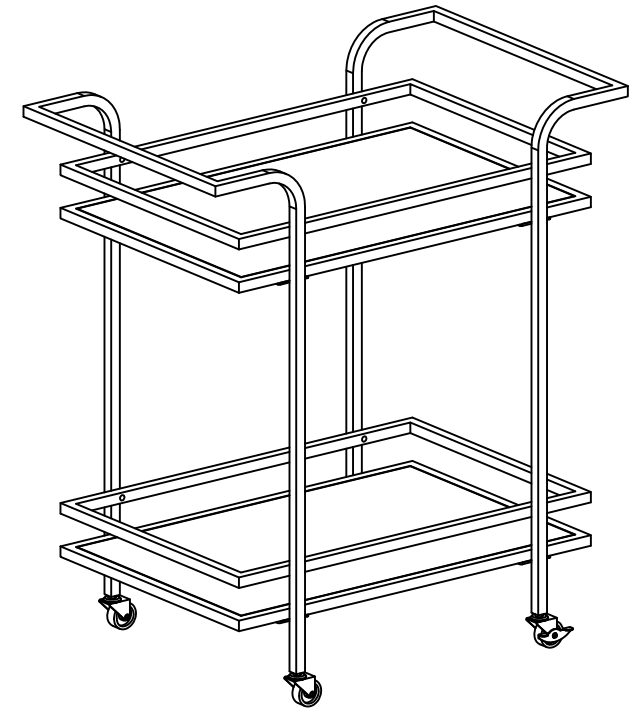
Part List and Hardware List

| PIECE | DESCRIPTION | PICTURE | QUANTITY | PIECE | DESCRIPTION | PICTURE | QUANTITY |
|-------|---------------|---|----------|-------|---------------------------------|---|----------|
| A | Side Frame |  | 2X | HW3 | Hex Bolt 1/4" x 1.2mm x 12mm |  | 16X |
| B | Railing Frame |  | 2X | HW4 | Hex Bolt 1/4" x 1.2mm x 25mm |  | 8X |
| C | Shelf Frame |  | 2X | HW5 | Screw ø4mm x 12mm |  | 8X |
| D | Shelf Board |  | 2X | HW6 | Split Washer |  | 4X |
| HW1 | Allen Key |  | 1X | HW7 | Caster |  | 2X |
| HW2 | Wrench |  | 1X | HW8 | Caster with Brake |  | 2X |

 **SAFAVIEH**
FURNITURE

Model# BCT8011

Product Dimension: 29.53" x 18" x 32.56"H

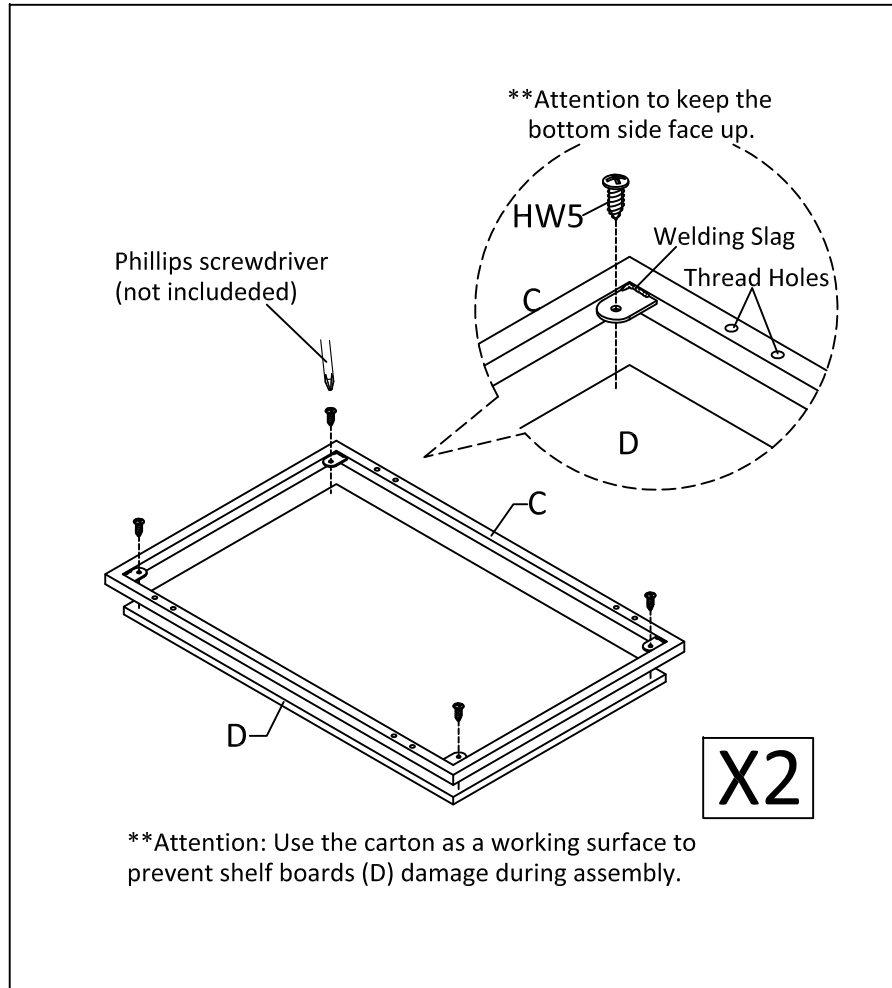


 **WARNING** 

Weight Capacity - 22.05 LBS per shelf
Warning : Do not stand on Cart.
Warning : Do not over torque bolts.

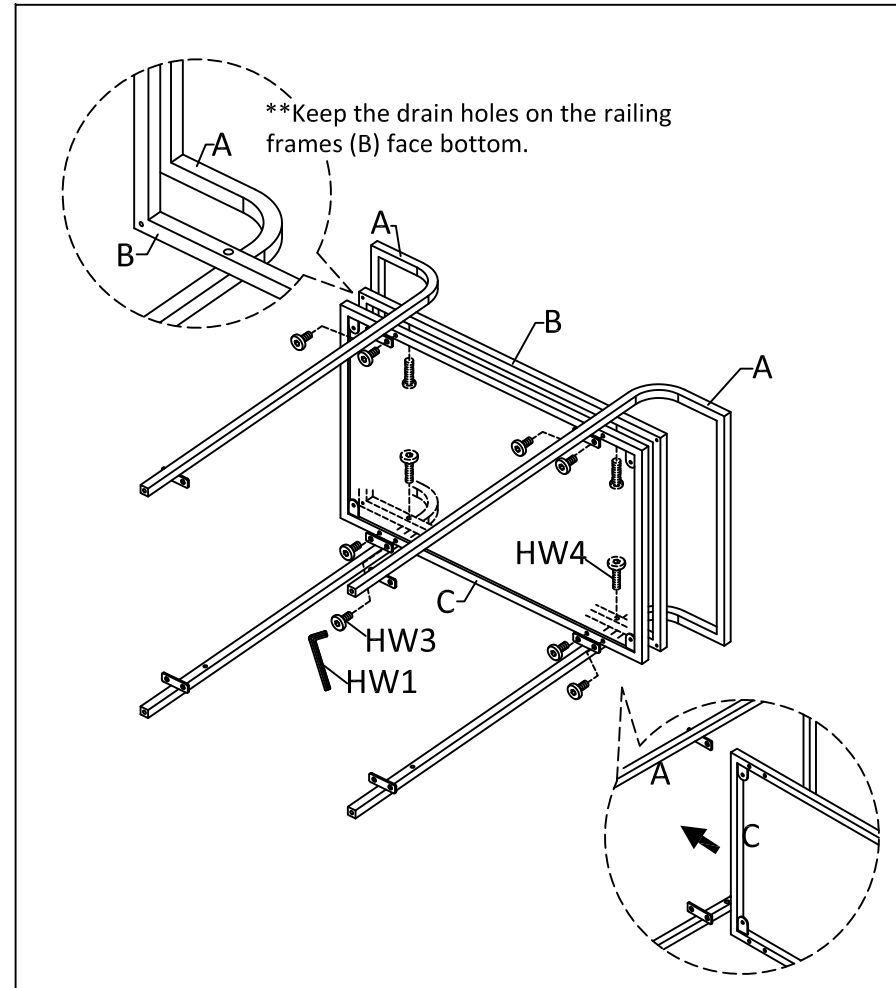
PREPARATION

- * Before beginning assembly of product, make sure all parts are present. Compare parts with part contents list and hardware contents list.
- * If any part is missing or damaged, do not attempt to assemble the product.
- * Estimated Assembly Time: 30 minutes.
- * Tools Required for Assembly (included): Allen Key
- * If you having difficulty, our friendly Customer Care team is always here to help. Please email customersupport@safavieh.com



STEP1 :

Assemble shelf boards (D) to shelf frames (C) with screw (HW5) by use of Phillips screwdriver as shown in drawing.

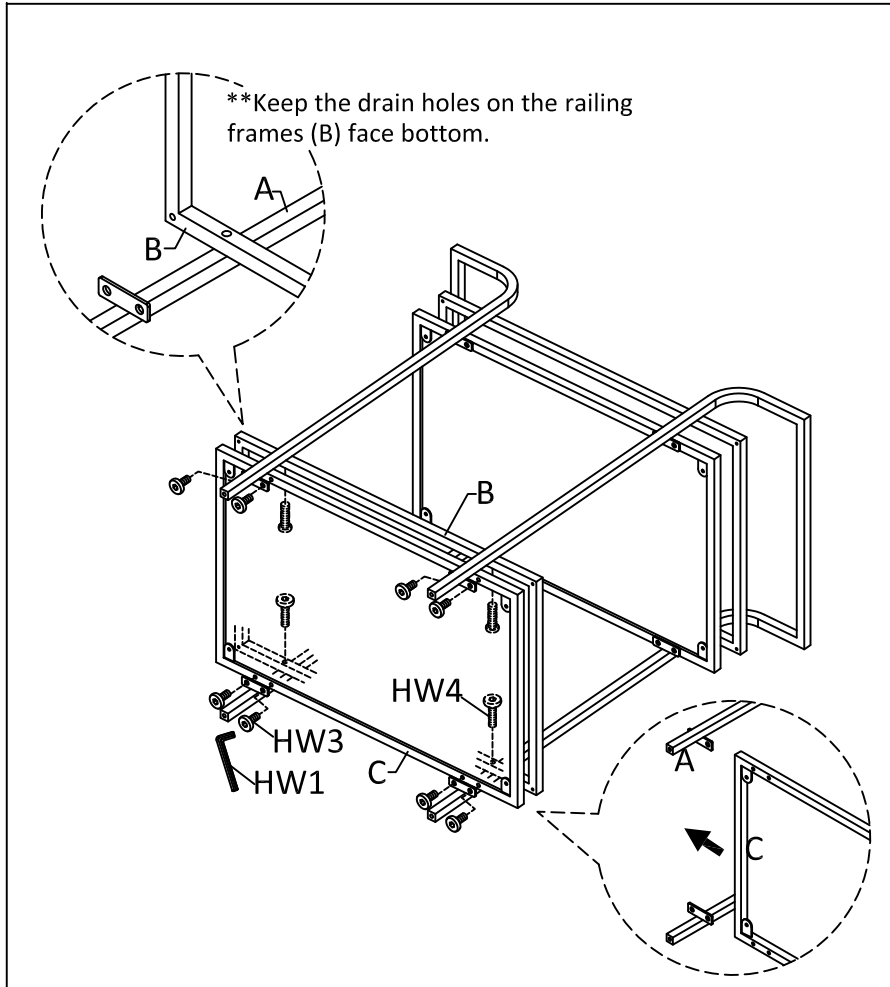


STEP2 :

Assemble railing frames (B) to side frames (A) with bolts (HW4) by use of Allen key (HW1), then assemble shelf frames (C) to side frames (A) with bolts (HW3) by use of Allen key (HW1) as shown in drawing.

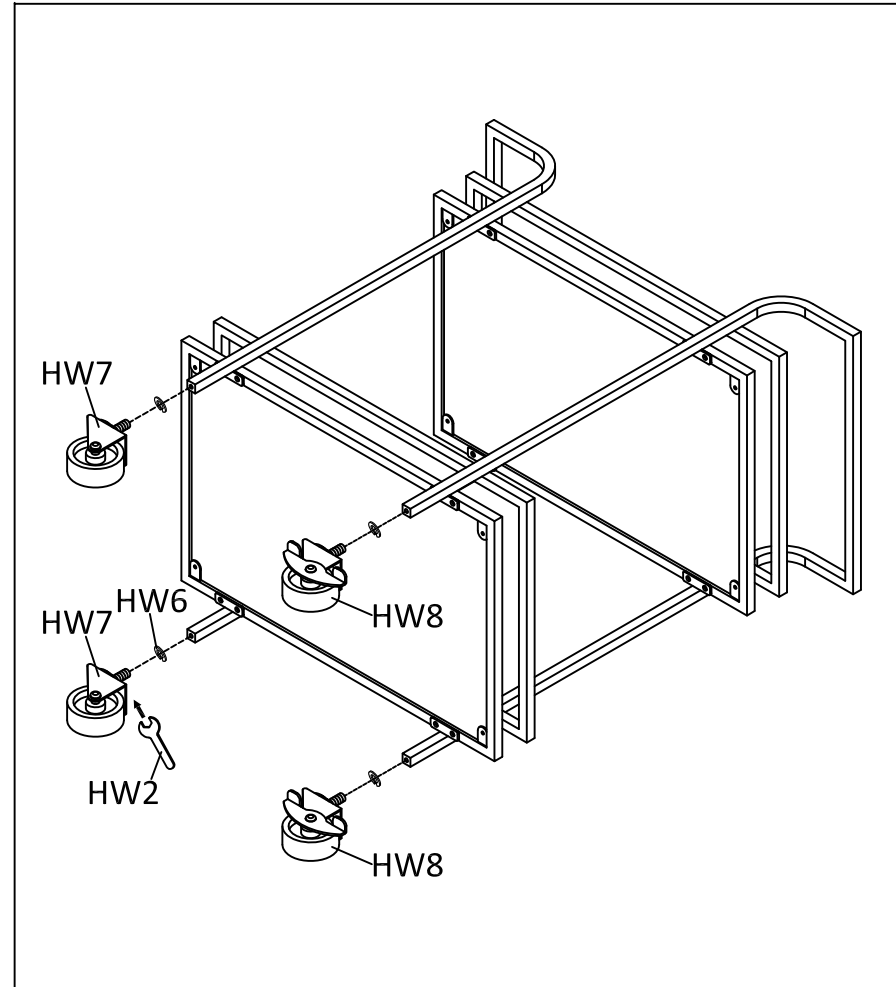
PREPARATION

- * Before beginning assembly of product, make sure all parts are present. Compare parts with part contents list and hardware contents list.
- * If any part is missing or damaged, do not attempt to assemble the product.
- * Estimated Assembly Time: 30 minutes.
- * Tools Required for Assembly (included): Allen Key
- * If you having difficulty, our friendly Customer Care team is always here to help. Please email customersupport@safavieh.com



STEP3 :

Assemble railing frames (B) to side frames (A) with bolts (HW4) by use of Allen key (HW1), then assemble shelf frames (C) to side frames (A) with bolts (HW3) by use of Allen key (HW1) as shown in drawing.



STEP4 :

Screw in casters (HW7 & HW8) onto the threaded holes in the side frames (A) with split washer (HW6) by use of open end wrench (HW2) as shown in drawing.