

NOTICE

* Please make sure that you have all parts indicated and they are in good condition before you begin assembly of this item. Refer to part list and hardware list below for guidance.

* This item should be assembled on a soft surface to prevent scratching the finish during assembly.

* This item may require periodic tightening.

* If you having difficulty, our friendly Customer Care team is always here to help. Please email customersupport@safavieh.com

PREPARATION

* Before beginning assembly of product, make sure all parts are present. Compare parts with package contents list and hardware contents list.

* If any part is missing or damaged, do not attempt to assemble the product.








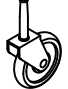
* Estimated Assembly Time: 30 minutes.

* Tools Required for Assembly (included): Allen Key

CARE AND MAINTENANCE

Dust with a soft, dry cloth. Do not use abrasive cleaner. To clean mirror, spray a small amount of glass cleaner onto a lint-free cloth and wipe mirror clean.

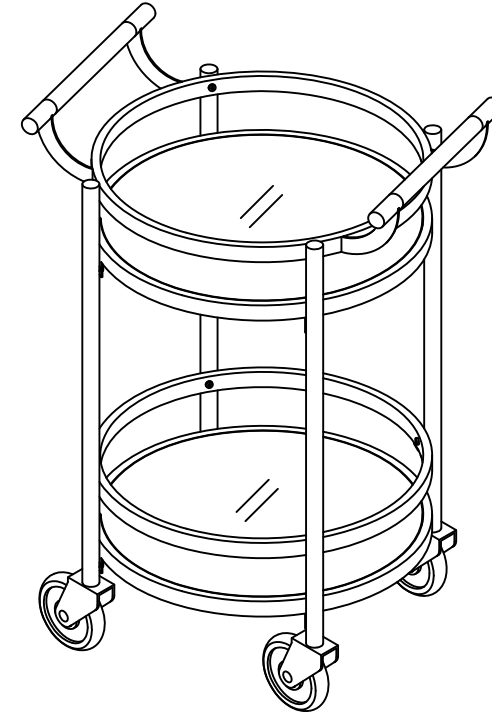
Part List and Hardware List

PIECE	DESCRIPTION	PICTURE	QUANTITY	PIECE	DESCRIPTION	PICTURE	QUANTITY
A	Top Handle Frame		1X	HW1	Allen Key		1X
B	Ring with Ear Tabs		2X	HW2	Socket Screw 1/4" x 1.2mm x 15mm		8X
C	Ring		1X	HW3	Socket Screw 1/4" x 1.2mm x 25mm		8X
D	Leg		4X	HW4	Rubber Mat		8X
E	Glass		2X	HW5	Wheel		4X

SAFAVIEH FURNITURE

Model# BCT8001

Product Dimensions: 23.43"L x 19.69"D x 34.06"H



WARNING

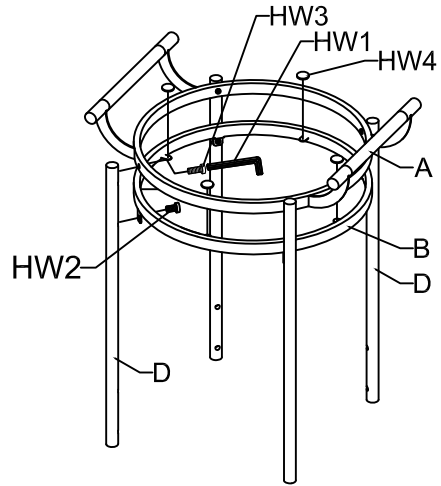
Weight Capacity - 22.05 LBS per shelf

Warning : Do not stand on Cart.

Warning : Do not over torque bolts.

PREPARATION

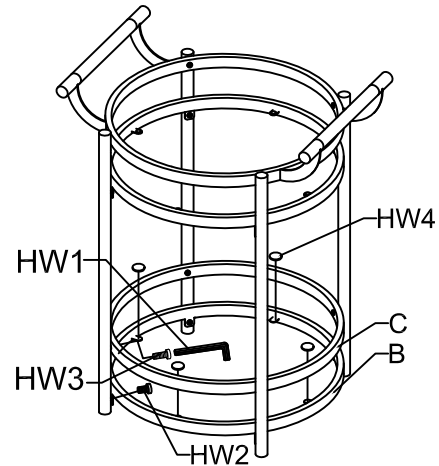
- * Before beginning assembly of product, make sure all parts are present. Compare parts with package contents list and hardware contents list.
- * If any part is missing or damaged, do not attempt to assemble the product.
- * Estimated Assembly Time: 30 minutes.
- * Tools Required for Assembly (included): Allen Key
- * If you having difficulty, our friendly Customer Care team is always here to help. Please email customersupport@safavieh.com



NOTE:
Please note there are drain holes in the ring. Please make sure the drain hole faces down in assembly.

STEP1 :

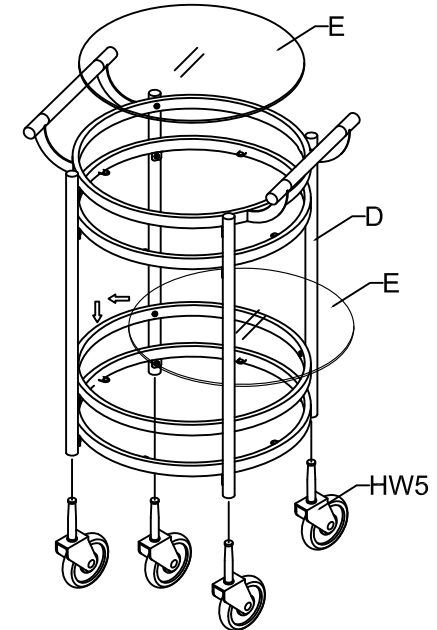
Assemble top handle frame (A) and ring with ear tabs (B) to leg (D) with bolt (HW2) and bolt (HW3) respectively by use of Allen key (HW1) as shown in drawing. Put rubber mats (HW4) onto the sheet on ring with ear tabs (B) as shown in drawing.



NOTE:
Please note there are drain holes in the ring. Please make sure the drain hole faces down in assembly.

STEP2 :

Assemble ring (C) and ring with ear tabs (B) to leg (D) with bolt (HW3) and bolt (HW2) respectively by use of Allen key (HW1). Put rubber mats (HW4) onto the sheet on ring with ear tabs (B). Then tighten up all the bolts (HW3) and (HW2) by use of Allen key (HW1) now.



STEP3 :

Insert wheel (HW5) into the leg (D) as shown in drawing and then install glass (E) in each frame as show in drawing.